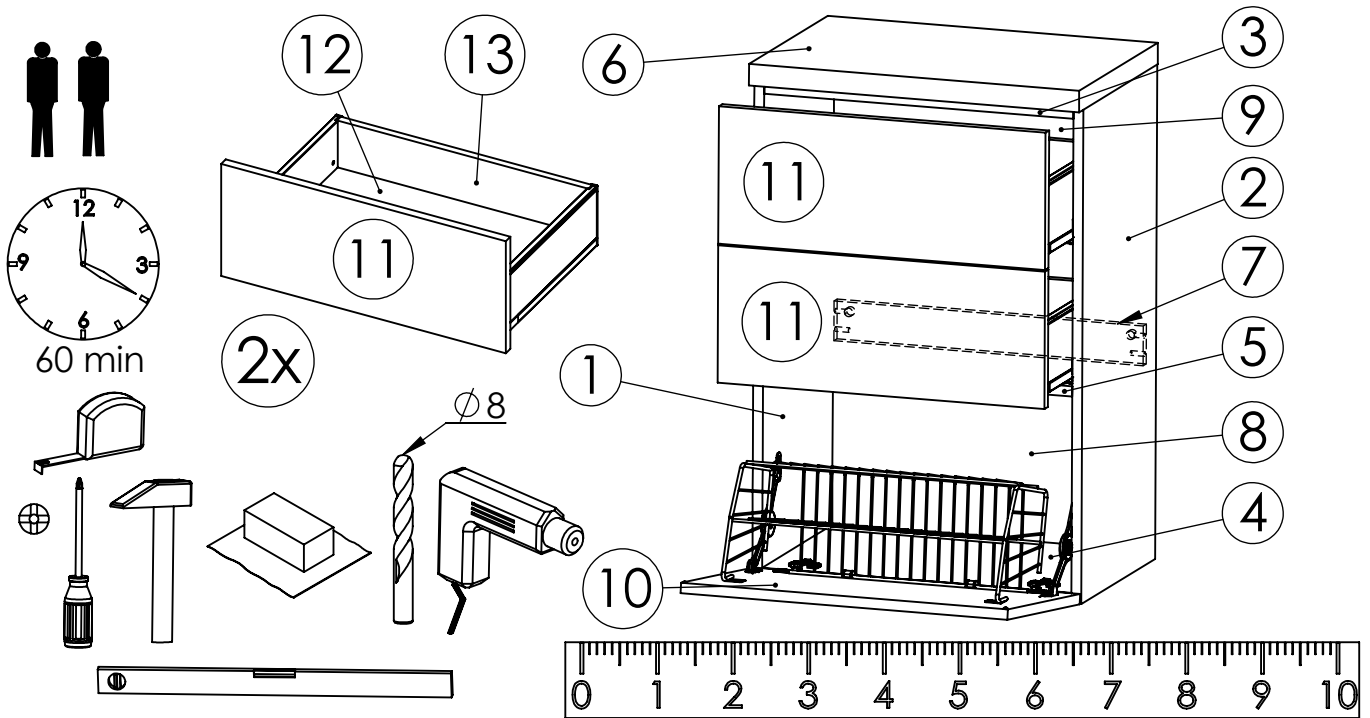


PREDSOBLJE LIBERTA - CIPELAR 2L+1KIP

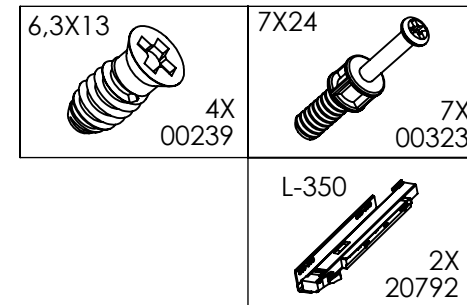
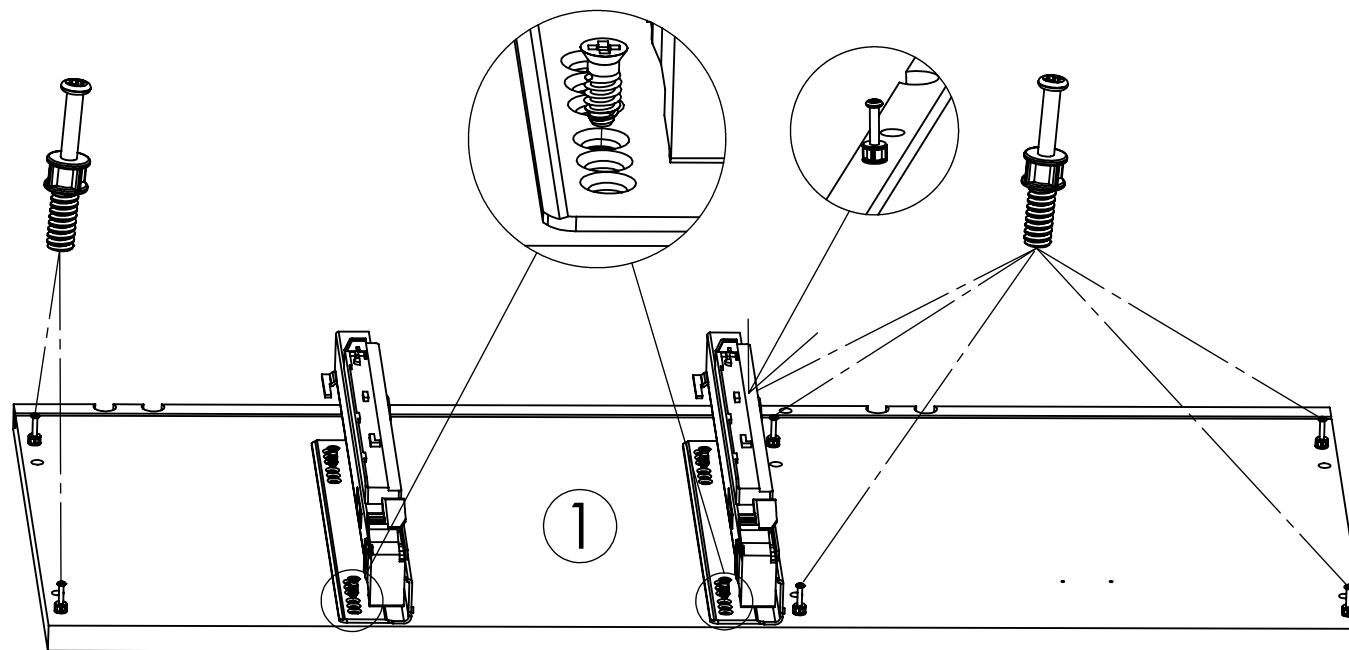


	DIM	Kom	Pak.
1.	872 X 380	1	2
2.	872 X 380	1	2
3.	564 X 380	1	1
4.	564 X 380	1	1
5.	564 X 360	1	1
6.	602 X 405	1	1
7.	564 X 70	1	1
8.	361 X 579	1	1
9.	490 X 579	1	1
10.	596 X 376	1	3
11.	596 X 242	2	3
12.	529 x 340	2	1
13.	526 x 101	2	1

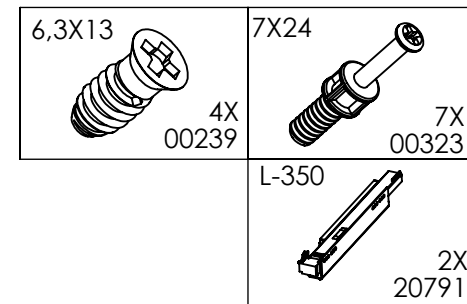
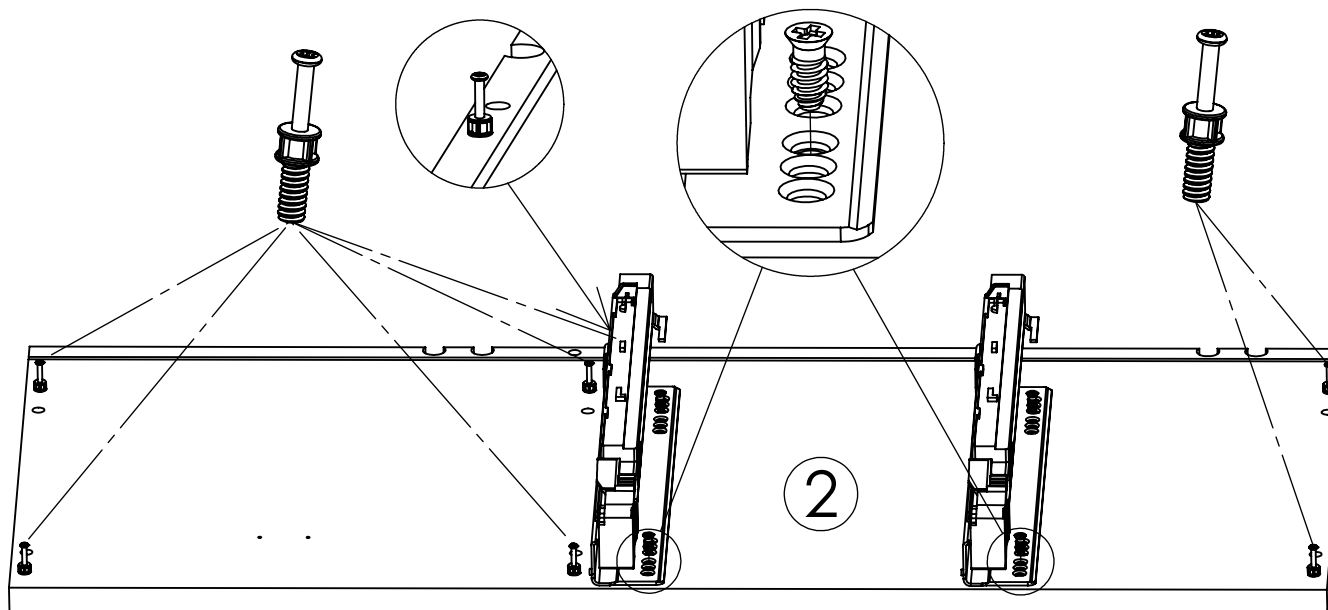
$\varnothing 8 \times 35$  14X 05908	7X24  14X 00323	$\varnothing 15 \times 14$  12X 00324	3,5X16  36X 01231
$\varnothing 15 \times 12$  2X 01980	4X35  12X 00235	 12X 02259	 1X 20537
$\varnothing 8 \times 50$  12X 20771	5X60  12X 20772	 2X 20124	 2X 20122
 2X 11145	 4X 20611 20612	 4X 00417 11373	 2X 20123
 2X 06026	 2X 20835	$6,3 \times 13$  8X 00239	 4X 12790
3,5x20  8X 00341	 2X 00359	 4X 12791	 2X 20533
 2X 20534	 4X 11076	L-350  2X 20791	L-350  2X 20792
L-350  2X 20790	L-350  2X 20789	T 20  1X 20808	 2X 20543
 2X 20544	00160  1X	 4X 20835	 4X 03959
L-322  2X 13340	 4X 20492	 2X 20545	 2X 20546

PREDSOBLJE LIBERTA CIPELAR 2L+1KIP

1

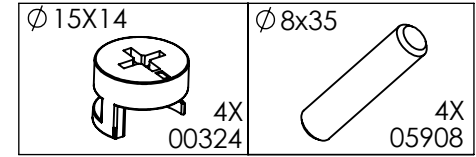
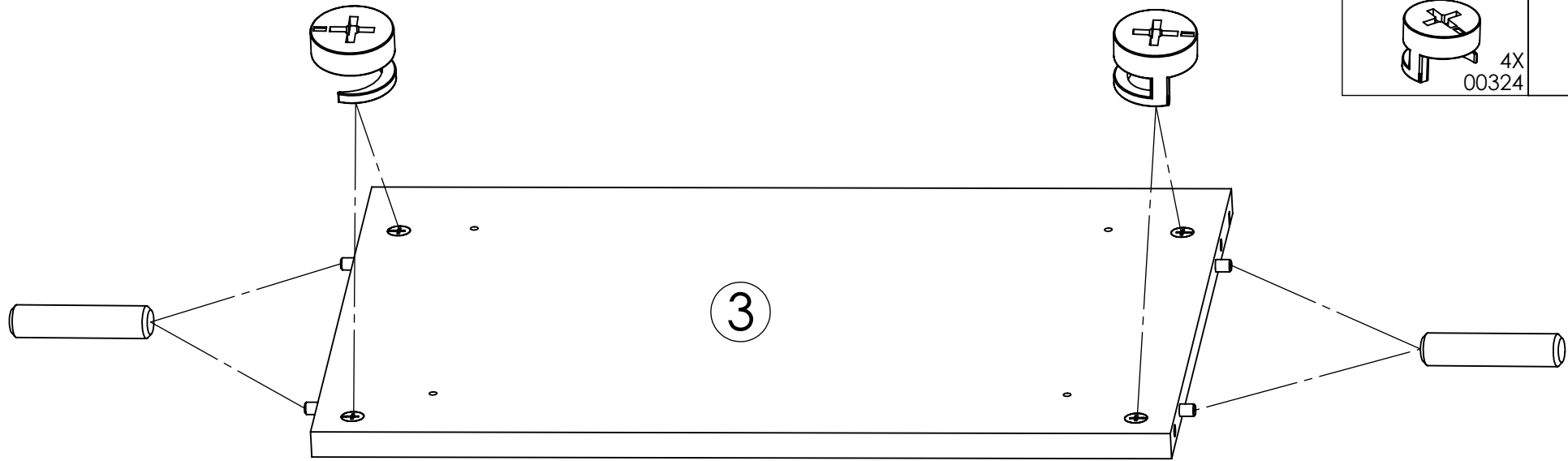


2

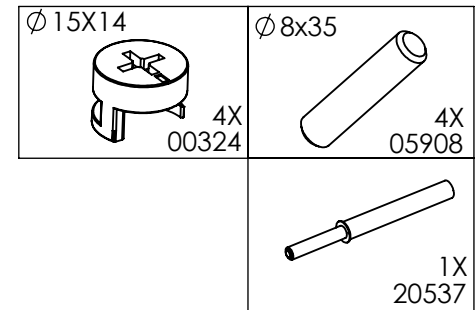
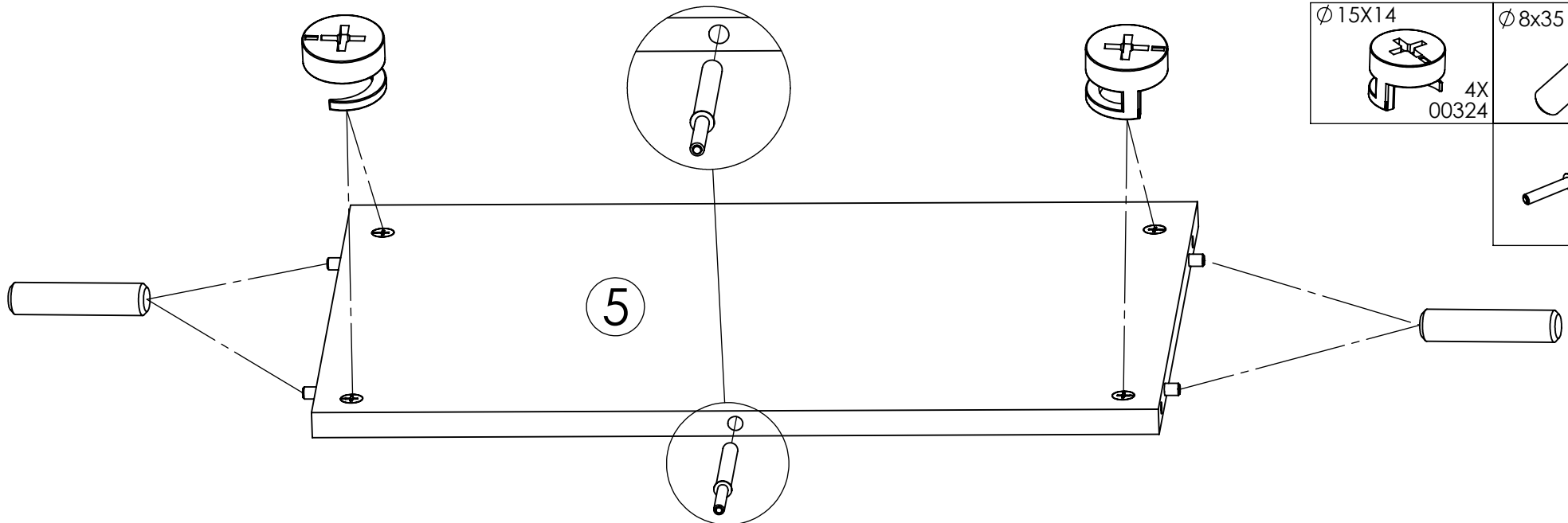


PREDSOBLJE LIBERTA CIPELAR 2L+1KIP

3

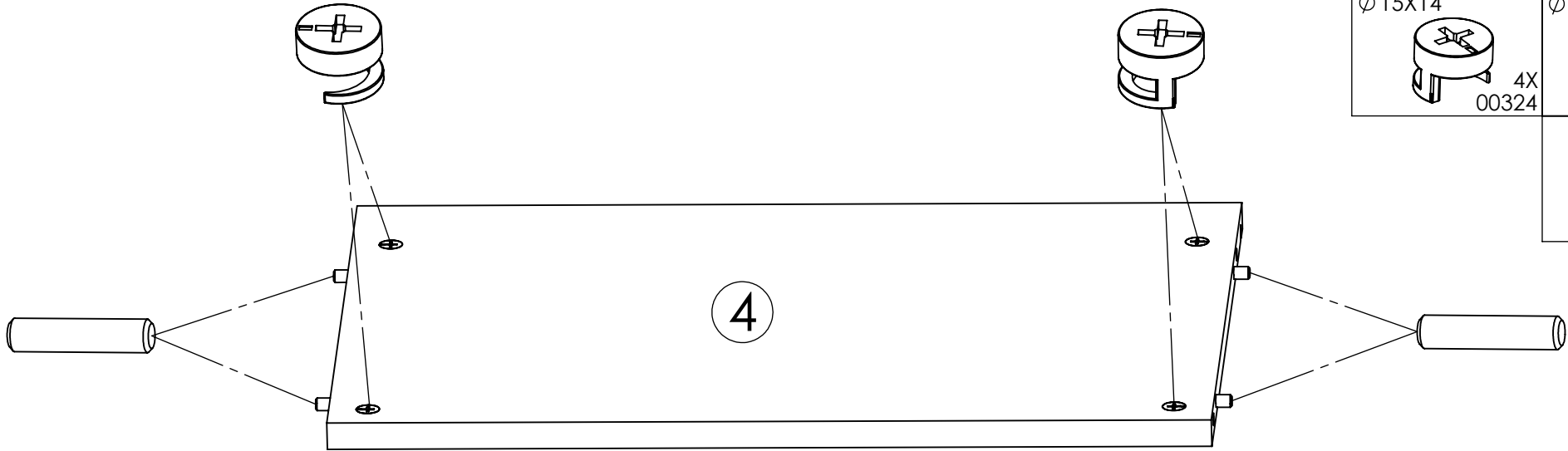


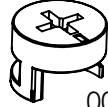
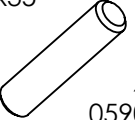
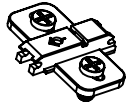
4

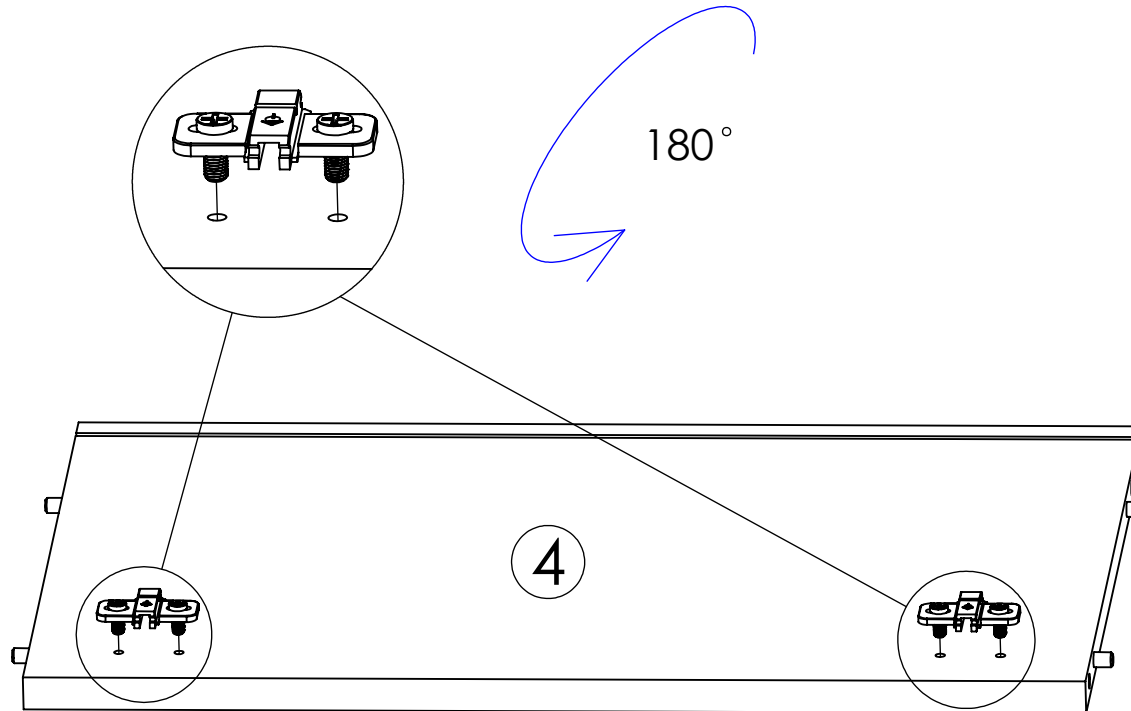


PREDSOBLJE LIBERTA CIPELAR 2L+1KIP

5

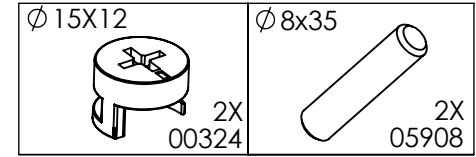
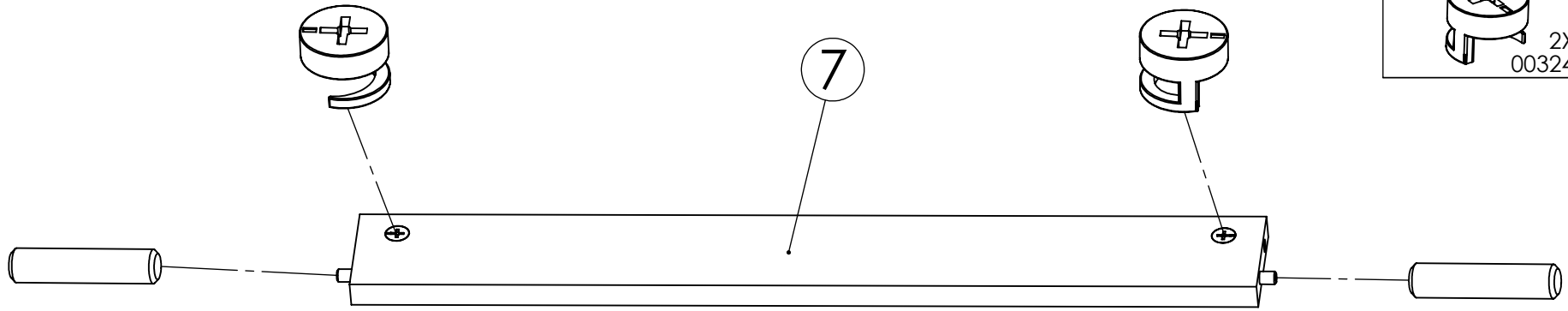


$\varnothing 15 \times 14$  4X 00324	$\varnothing 8 \times 35$  4X 05908
 2X 06026	

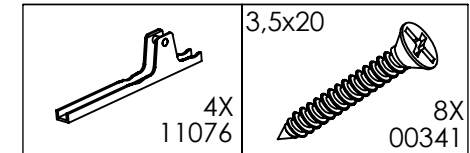
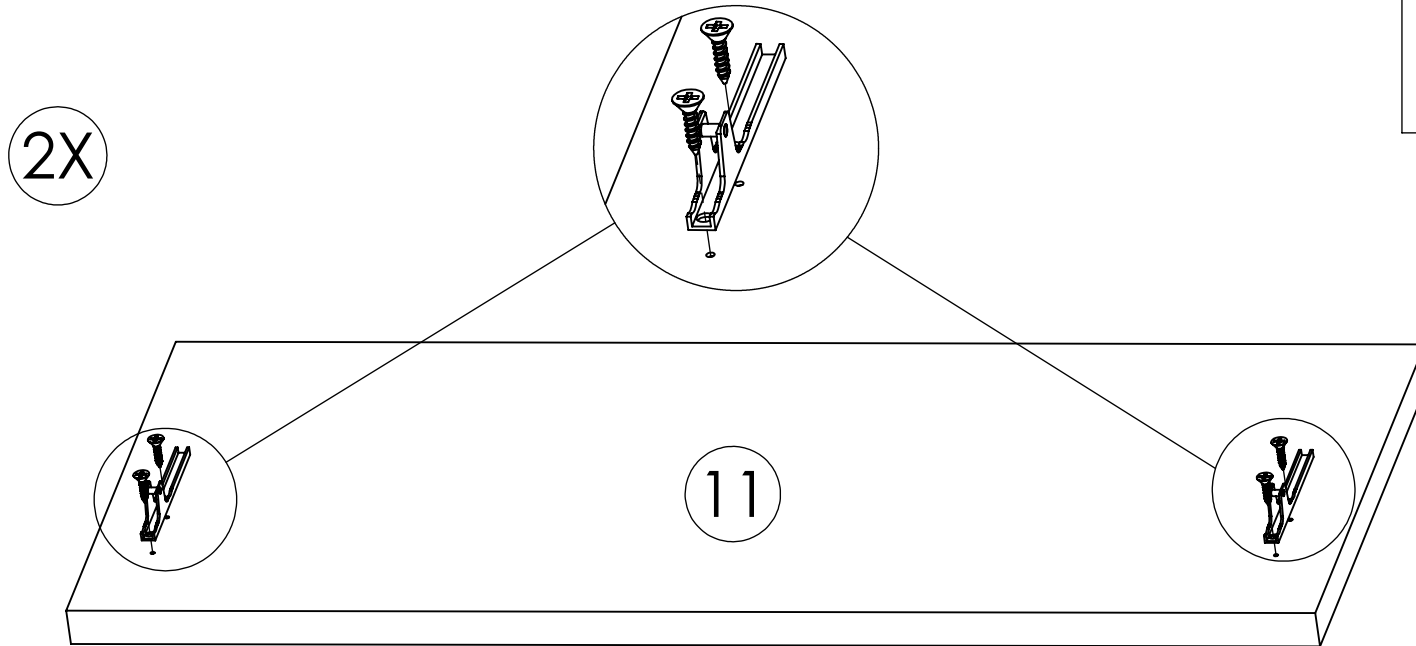


PREDSOBLJE LIBERTA CIPELAR 2L+1KIP

6

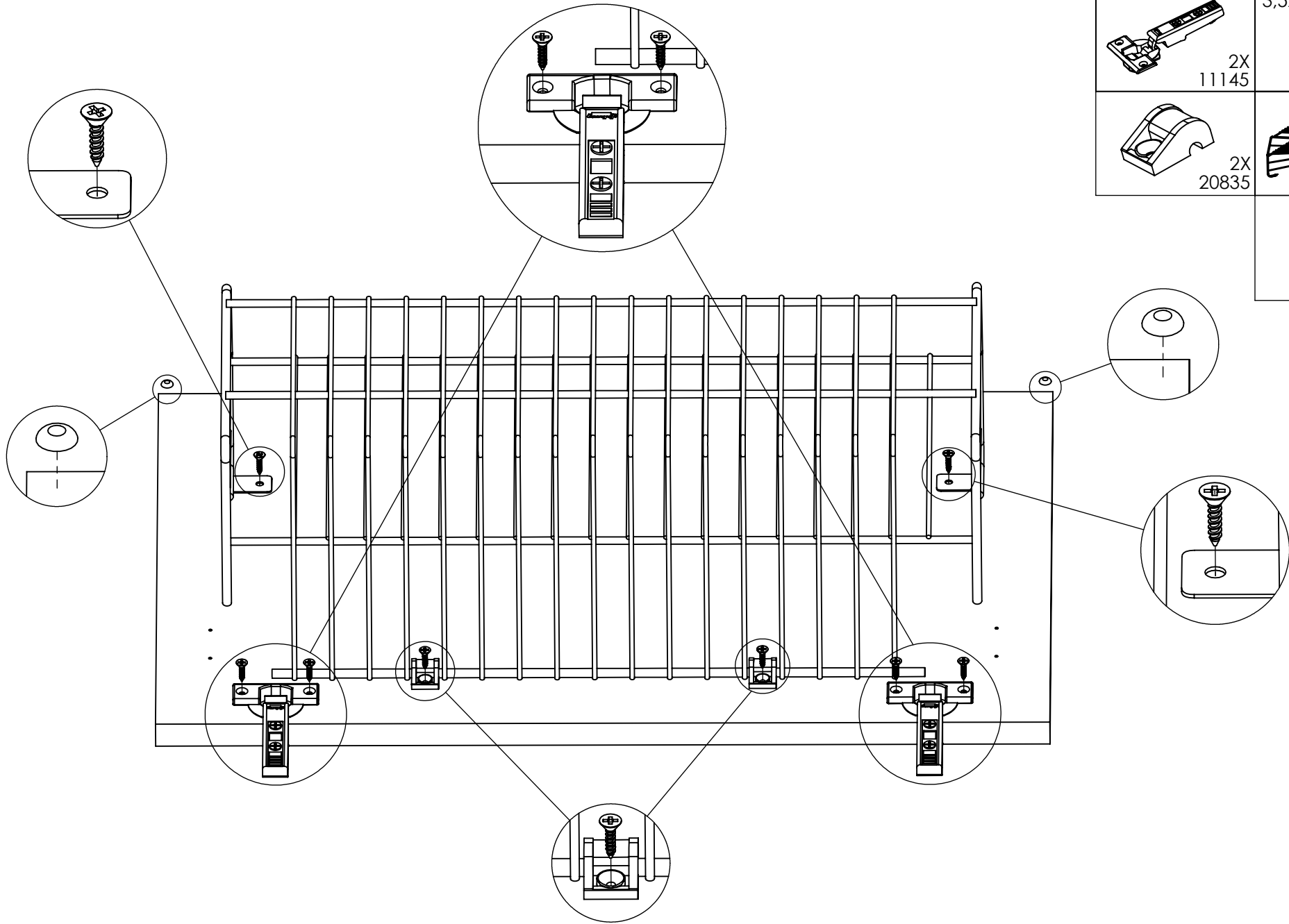


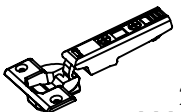


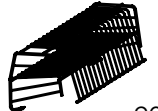

7



PREDSOBLJE LIBERTA CIPELAR 2L+1KIP

8

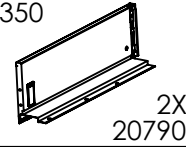


 2X 11145	 3,5X16 8X 01231
 2X 20835	 1X 20835
 2X 00359	

PREDSOBLJE LIBERTA CIPELAR 2L+1KIP

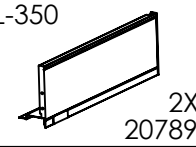
9

L-350

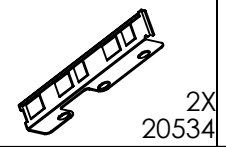


2X
20790

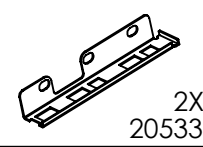
L-350



2X
20789

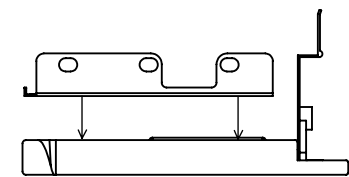
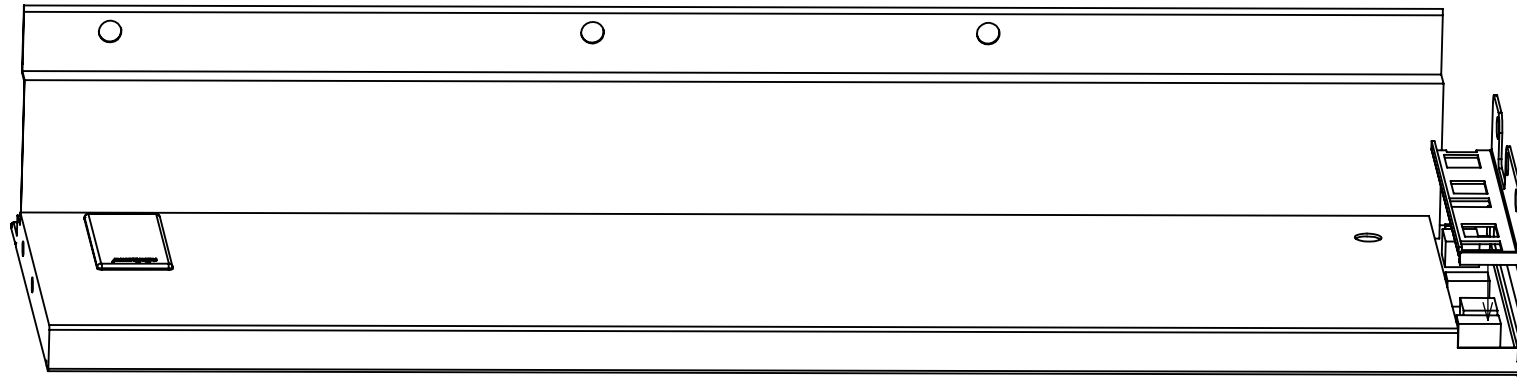


2X
20534

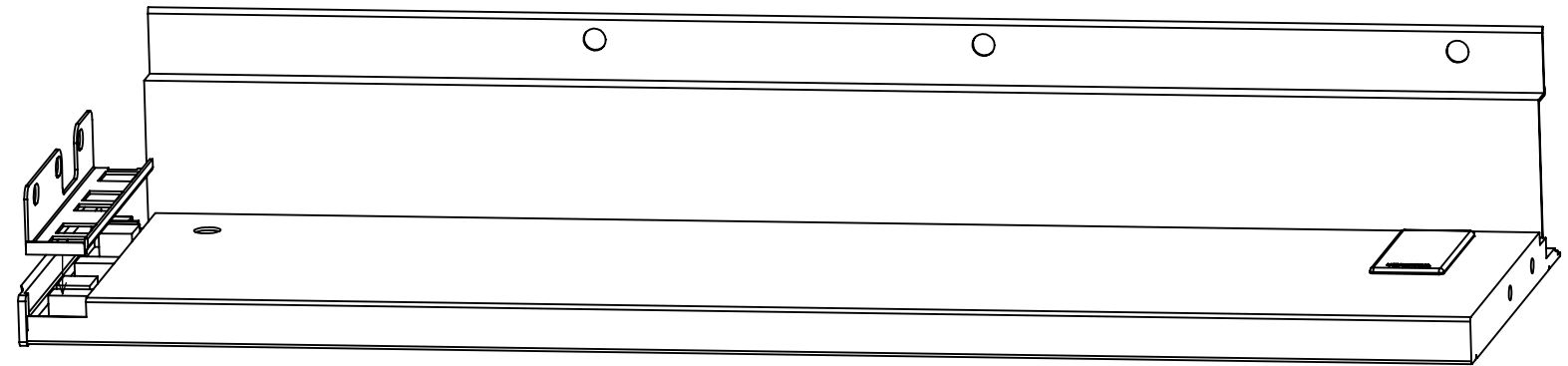
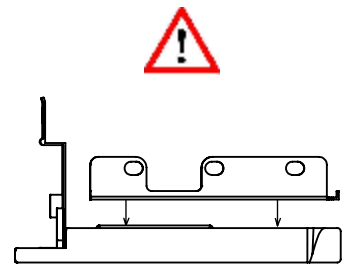


2X
20533

2X



2X



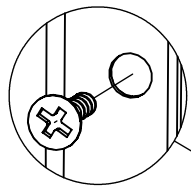
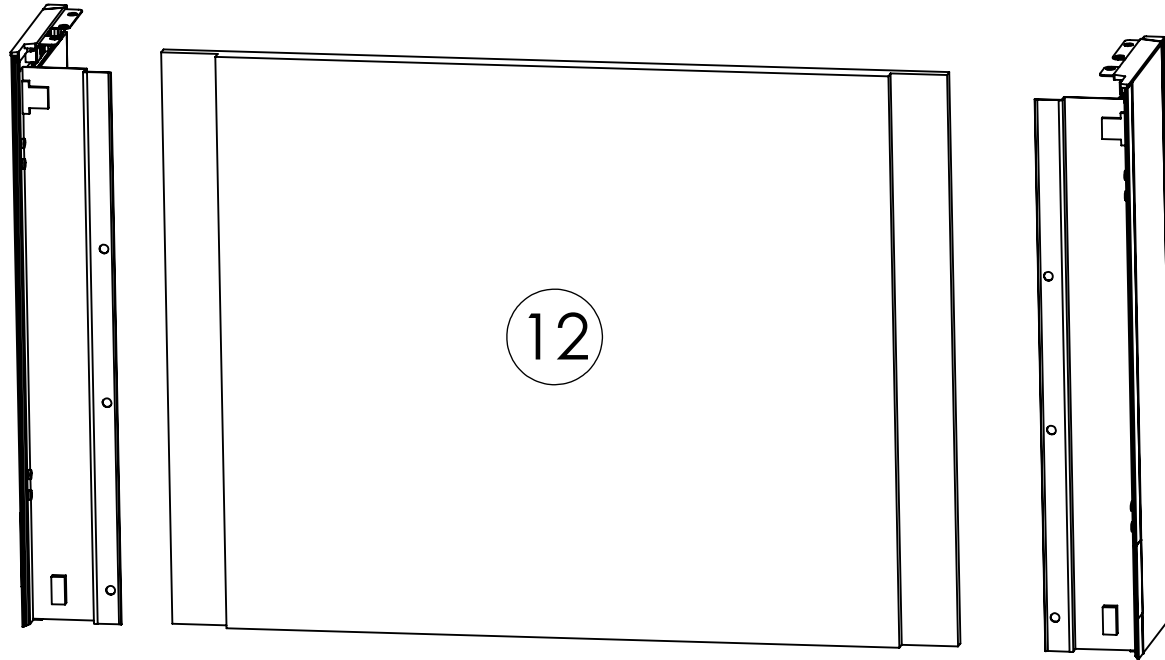
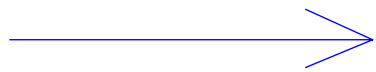
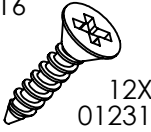
PREDSOBLJE LIBERTA CIPELAR 2L+1KIP

10

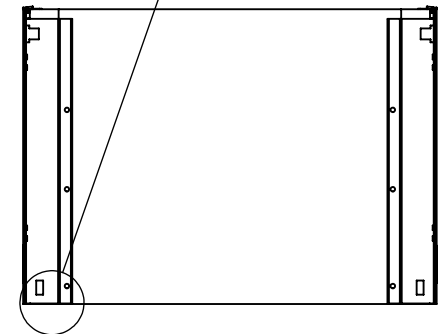
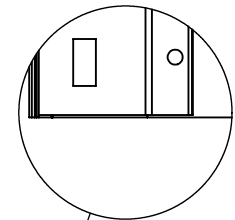
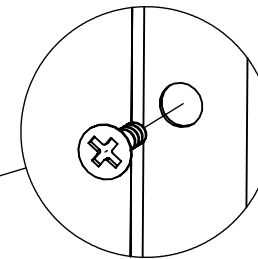
2X

12

3,5X16



12



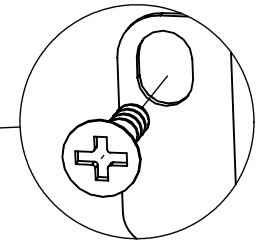
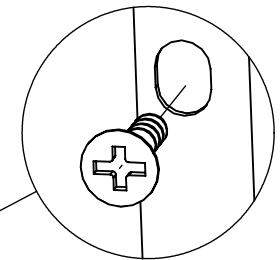
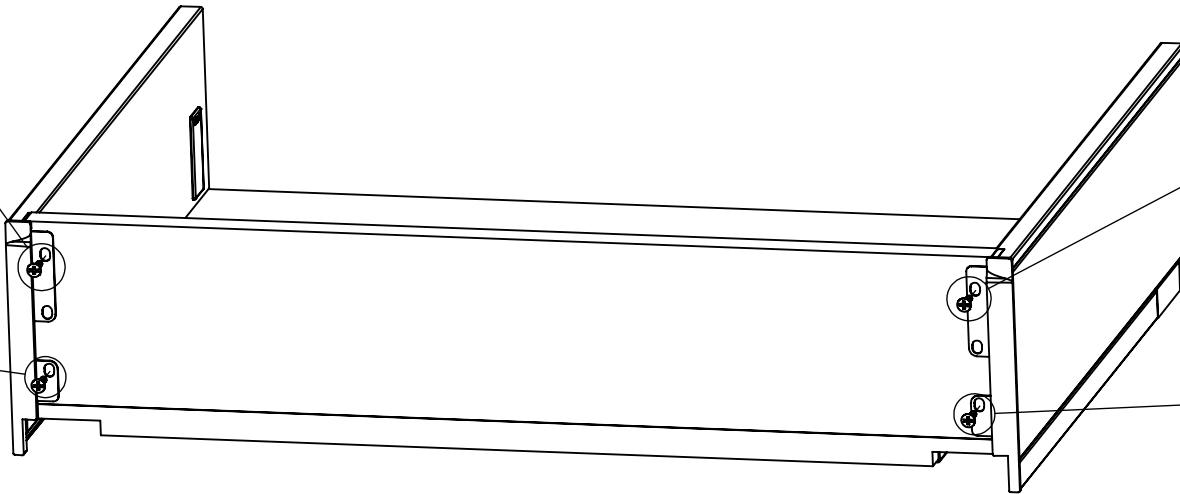
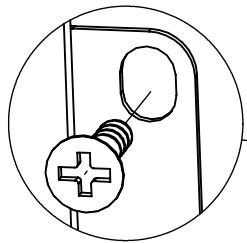
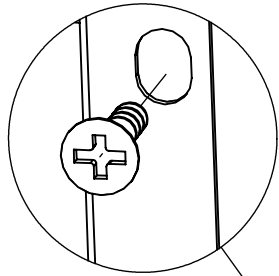
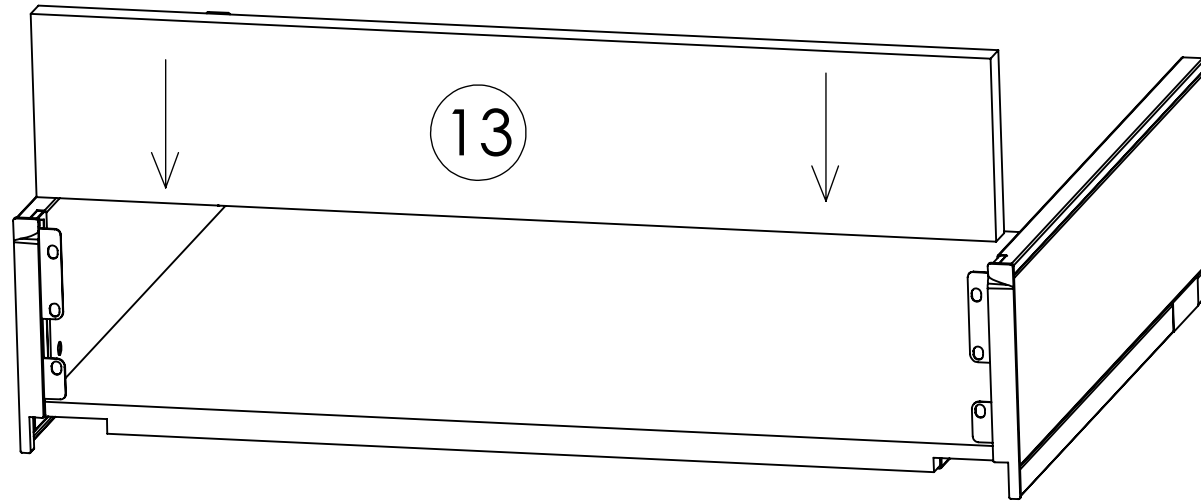
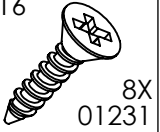
PREDSOBLJE LIBERTA CIPELAR 2L+1KIP

11

2X

13

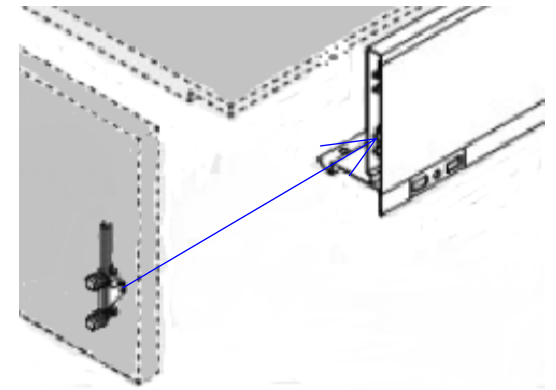
3,5X16



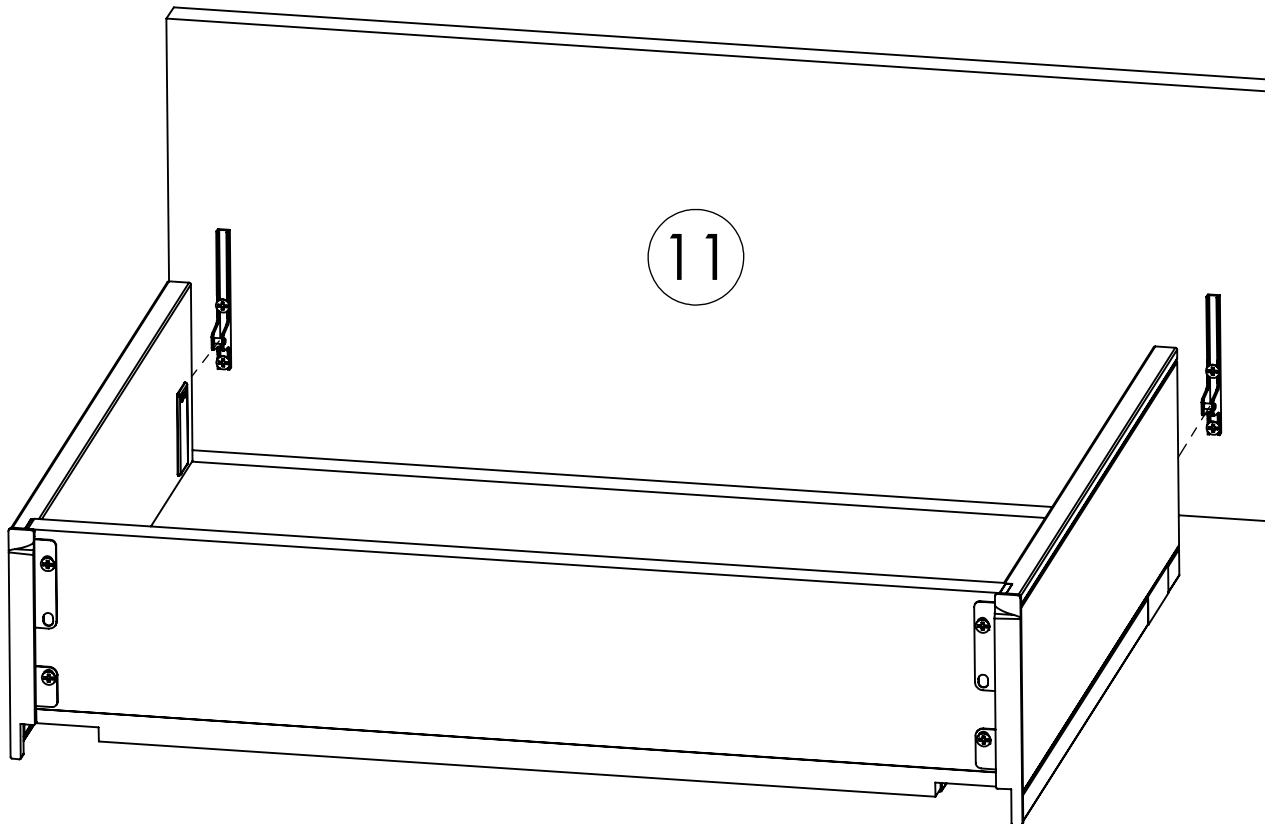
PREDSOBLJE LIBERTA CIPELAR 2L+1KIP

12

2X

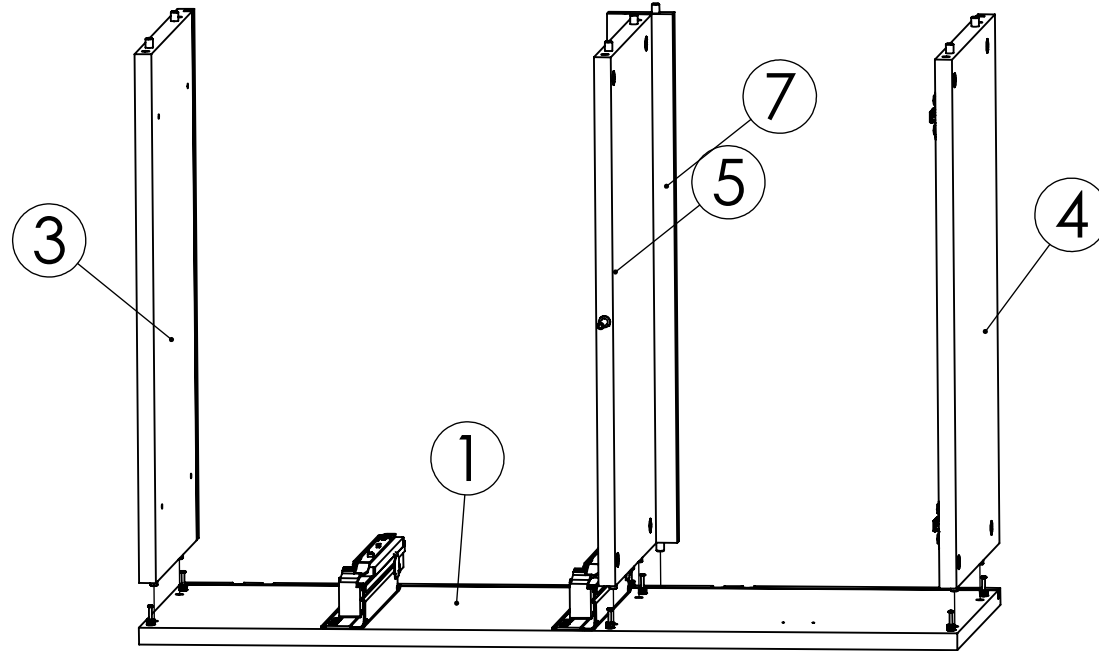
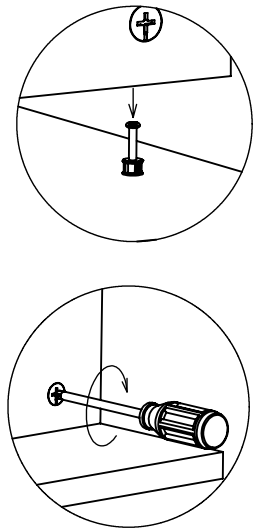


11

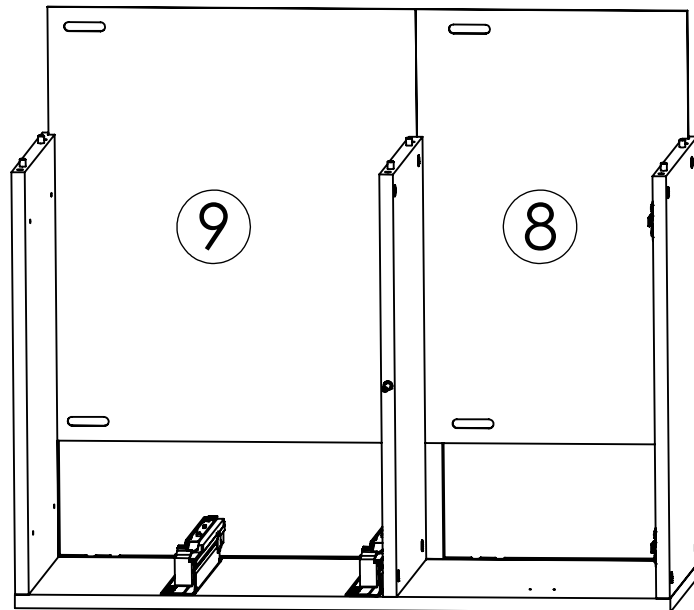


PREDSOBLJE LIBERTA CIPELAR 2L+1KIP

13

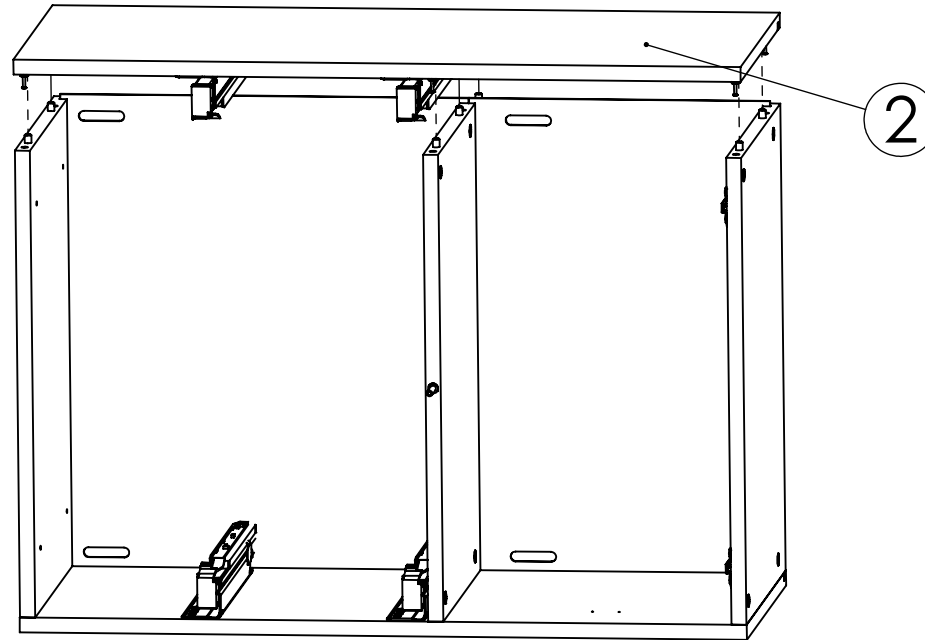
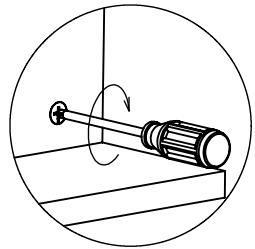
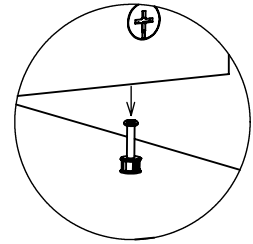


14

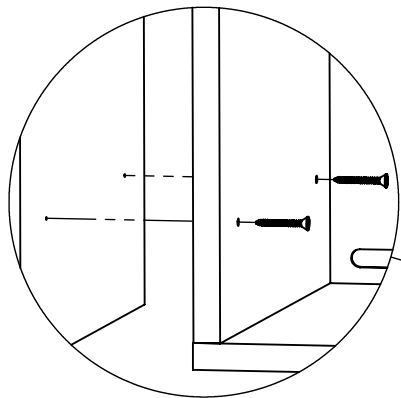


PREDSOBLJE LIBERTA CIPELAR 2L+1KIP

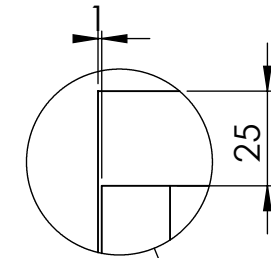
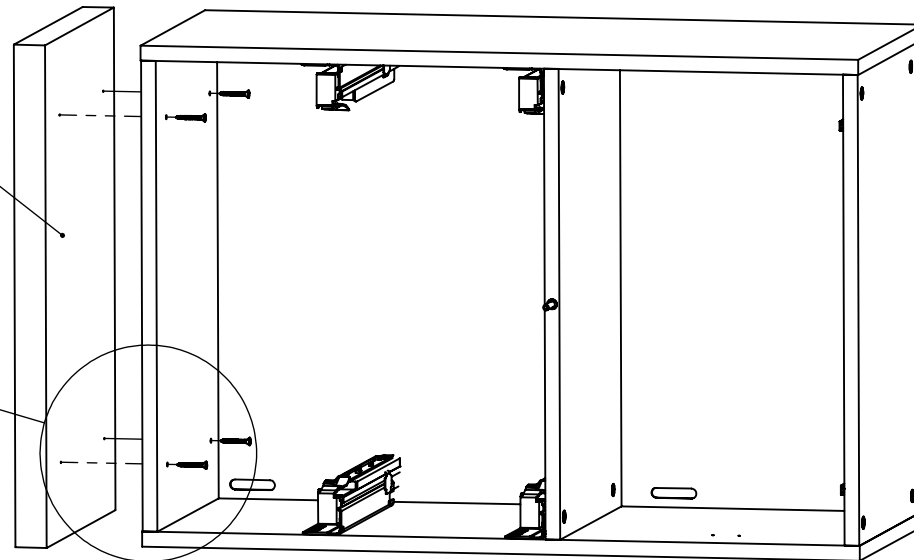
15



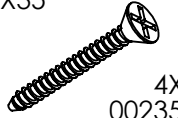
16



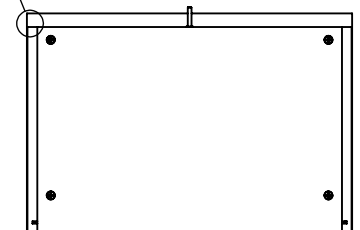
6



4X35

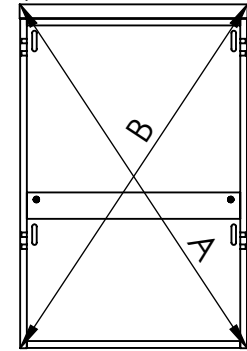
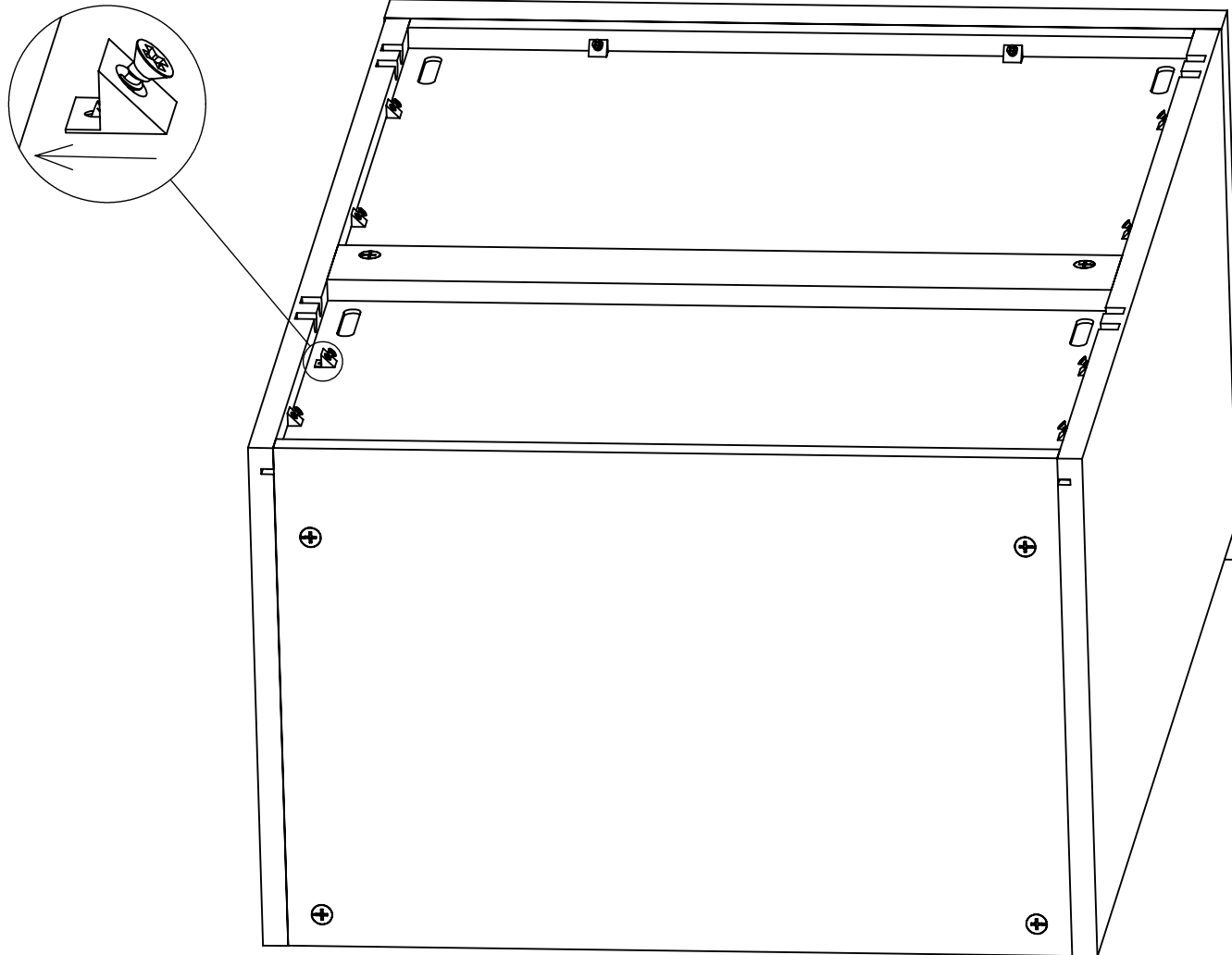
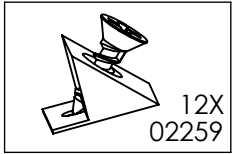


4X
00235



PREDSOBLJE LIBERTA CIPELAR 2L+1KIP

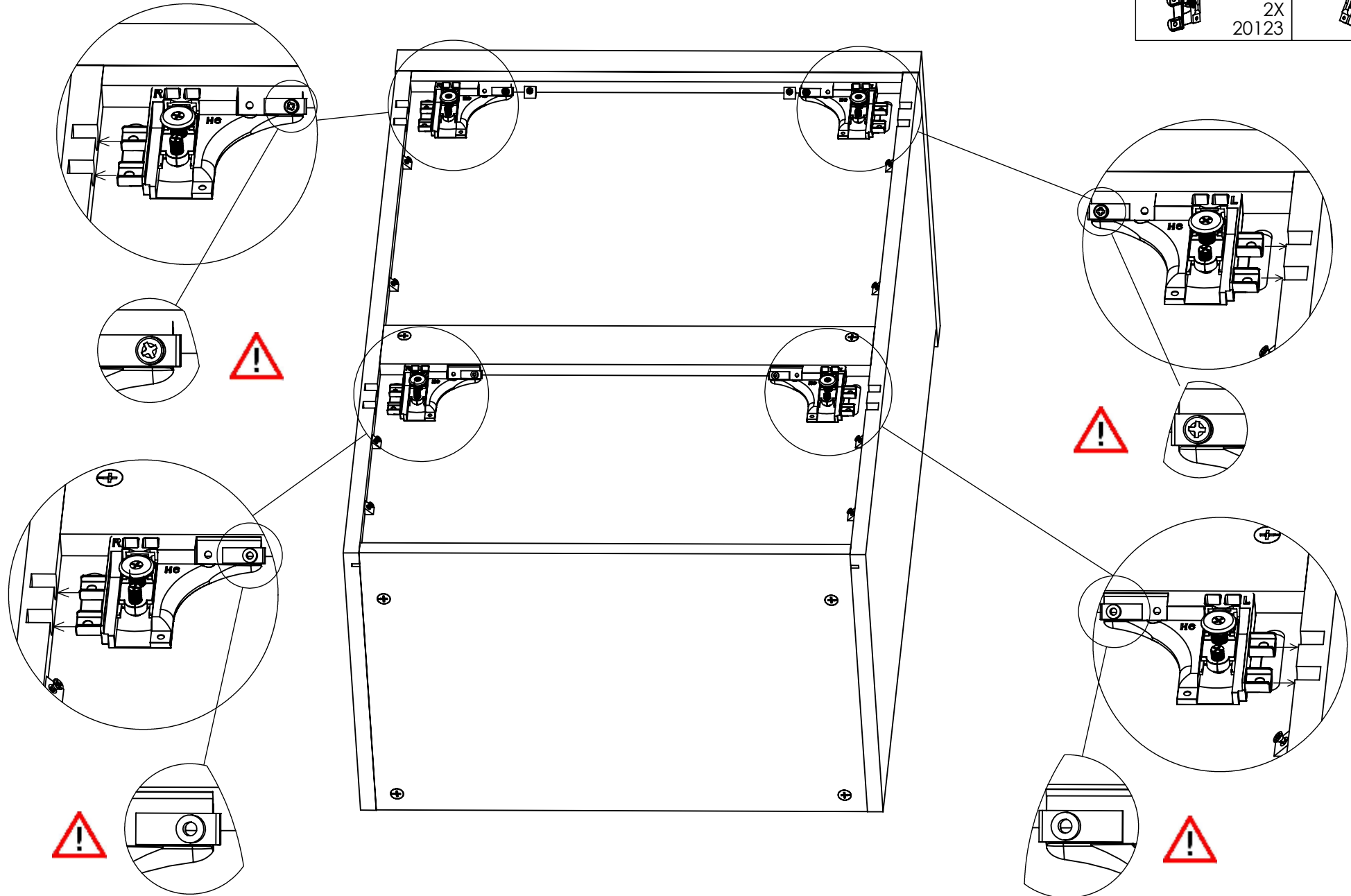
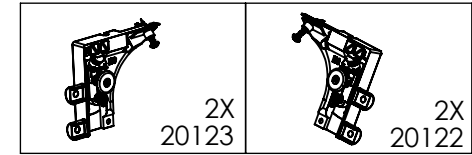
17



A=B

PREDSOBLJE LIBERTA CIPELAR 2L+1KIP

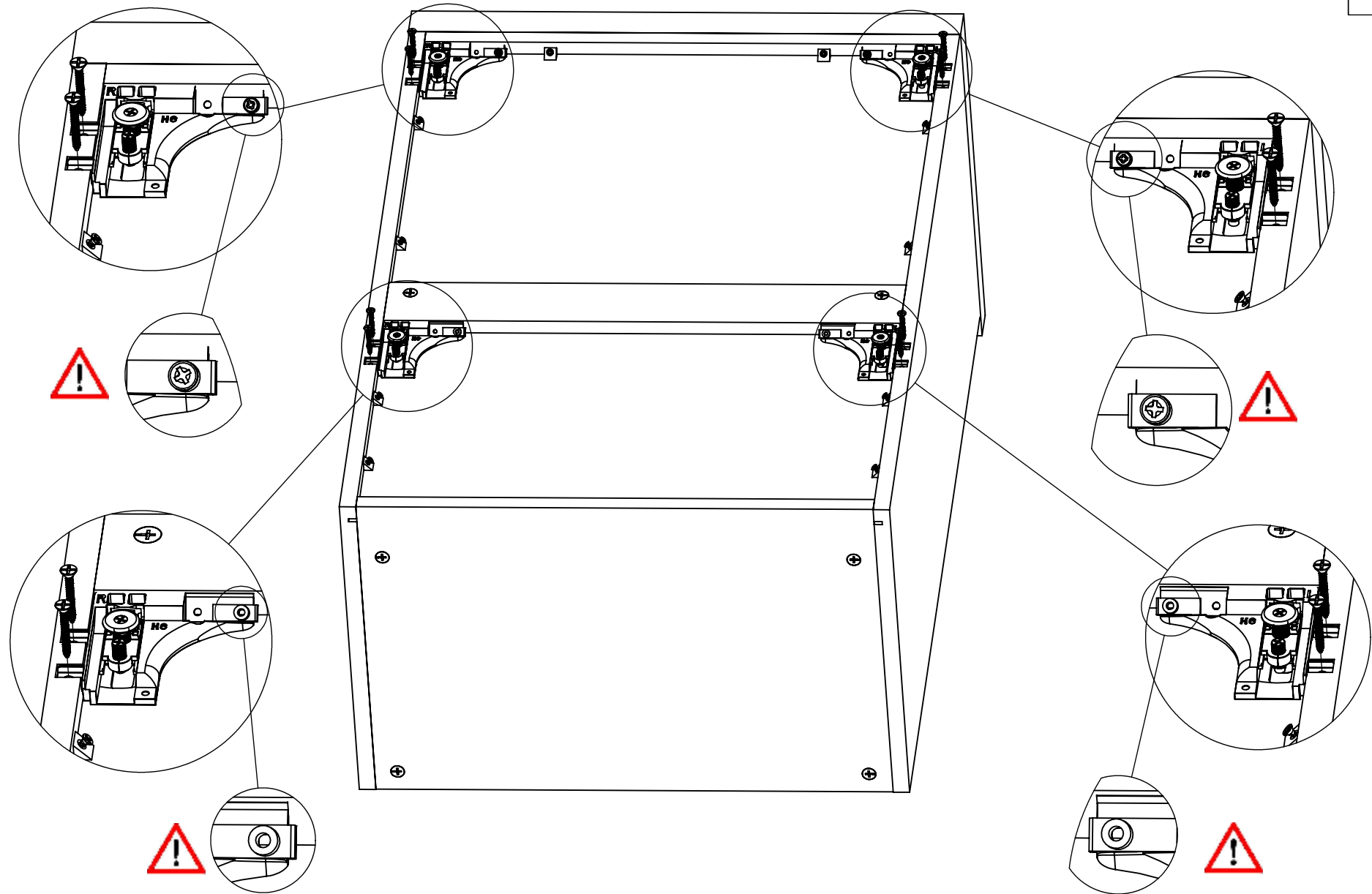
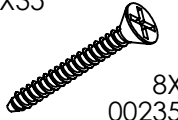
18



PREDSOBLJE LIBERTA CIPELAR 2L+1KIP

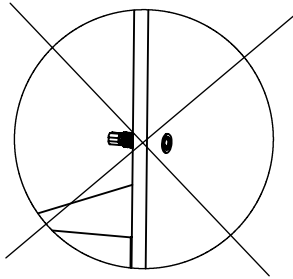
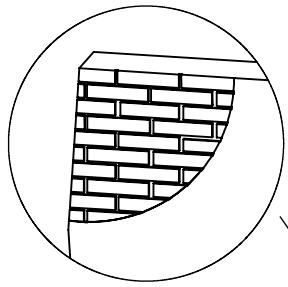
19

4X35

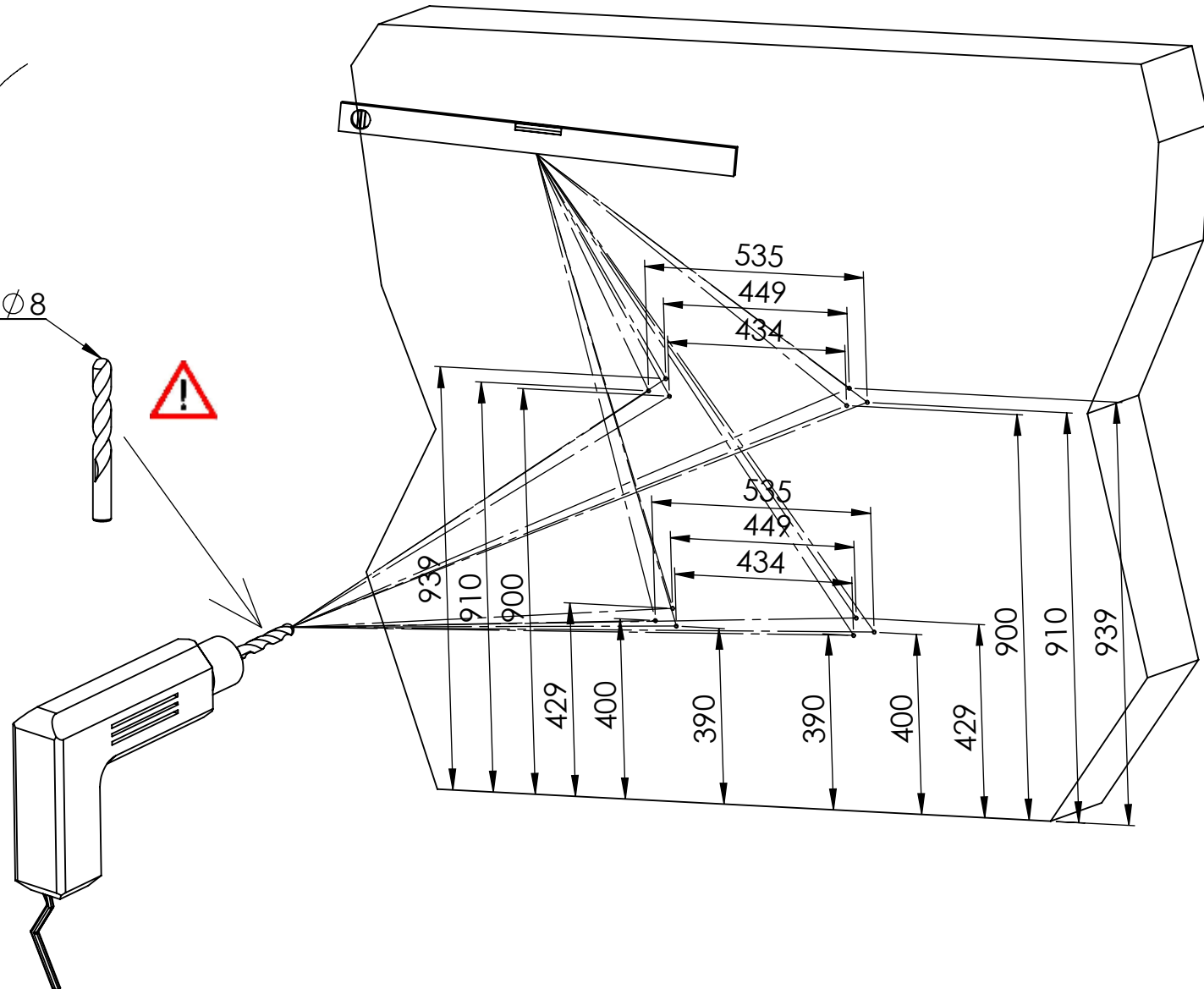
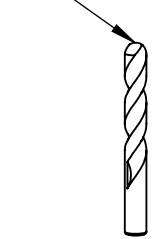


PREDSOBLJE LIBERTA CIPELAR 2L+1KIP

20

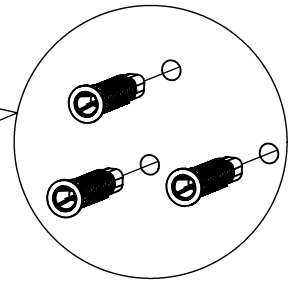
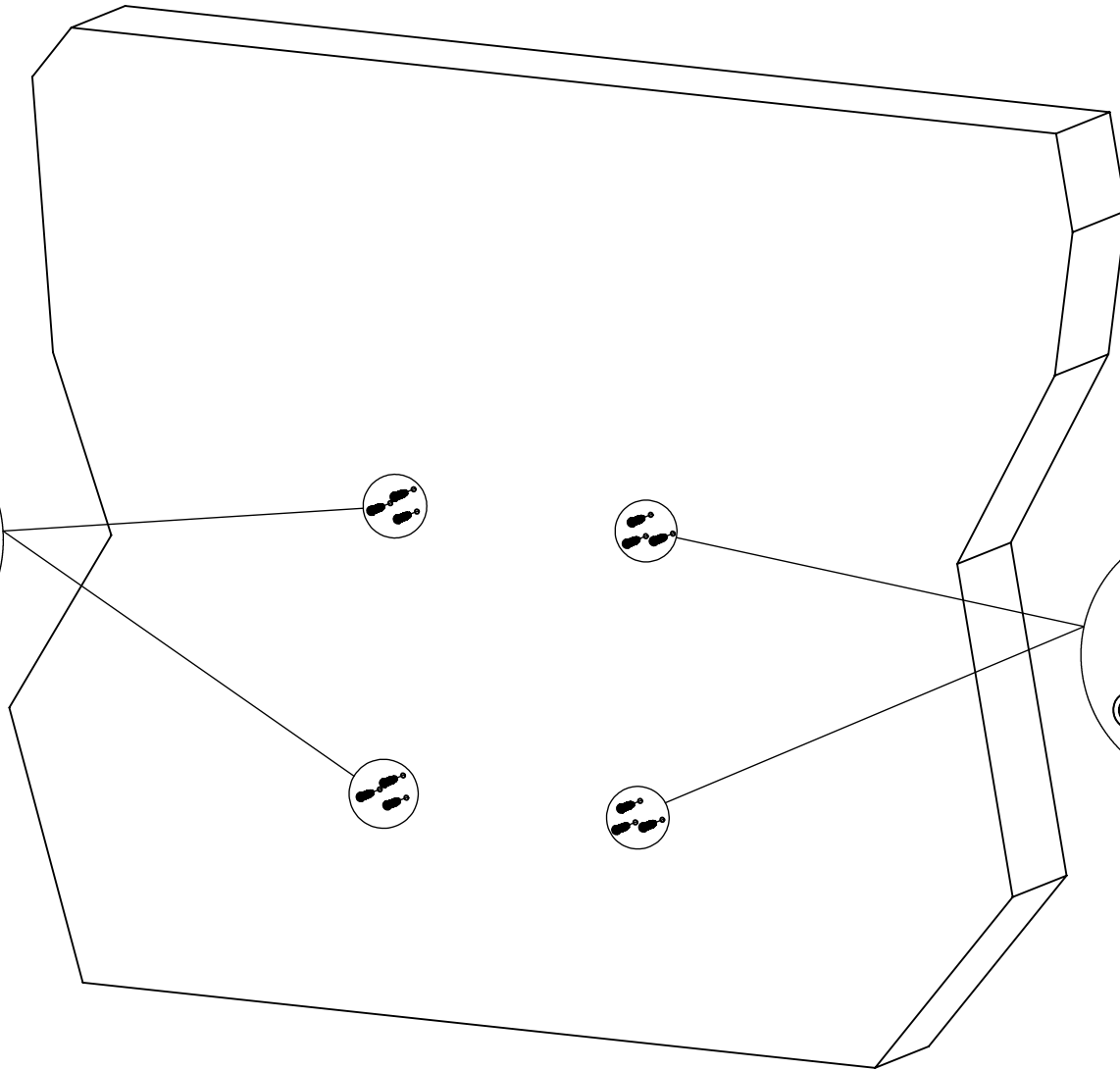
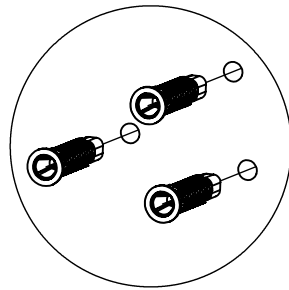
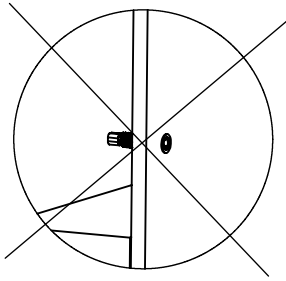
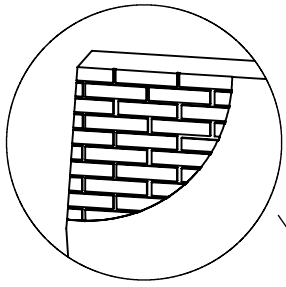
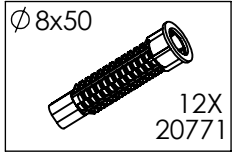


Ø8



PREDSOBLJE LIBERTA CIPELAR 2L+1KIP

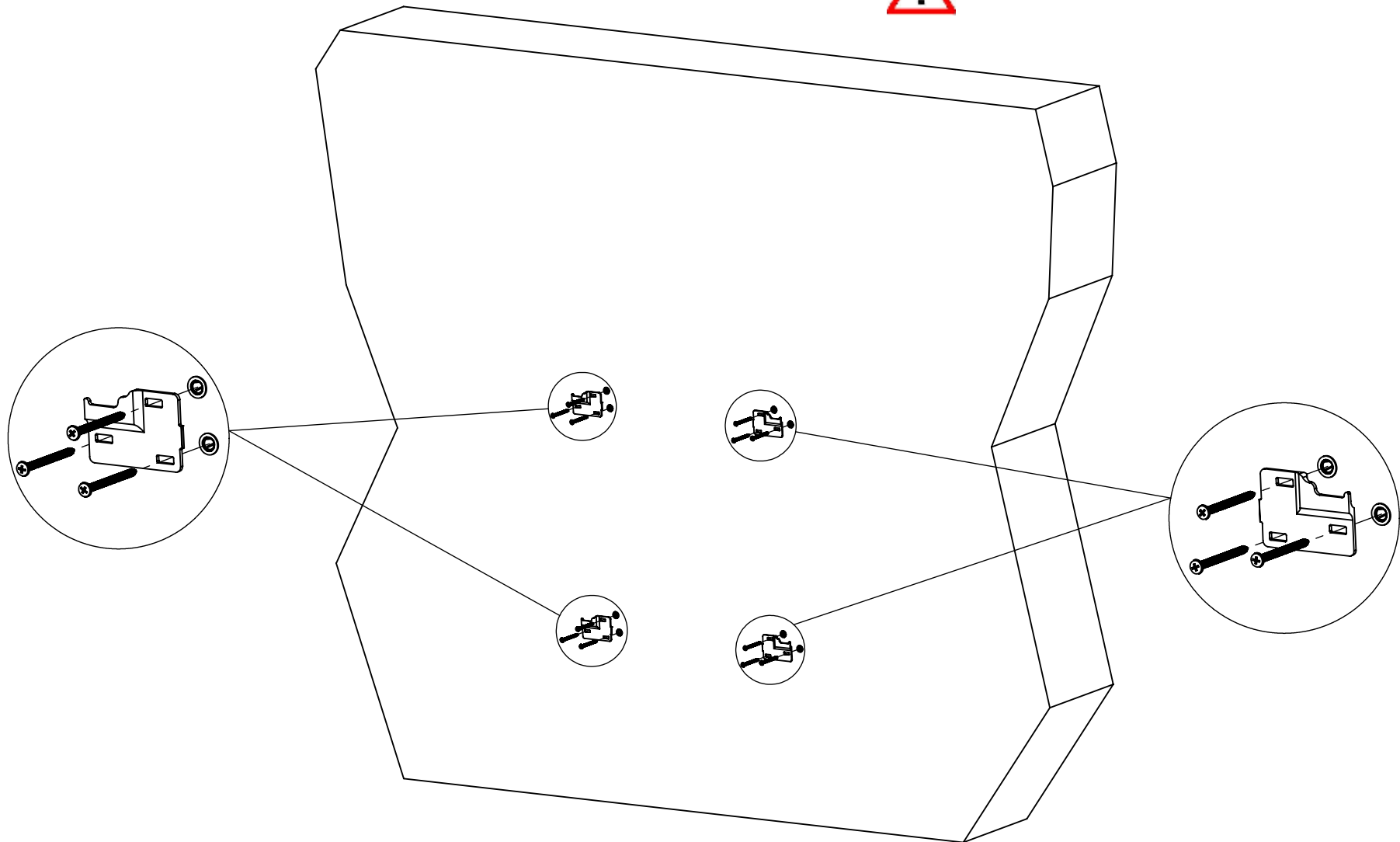
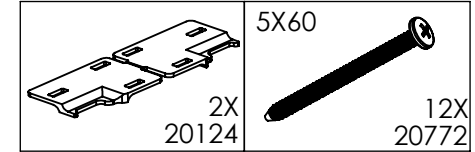
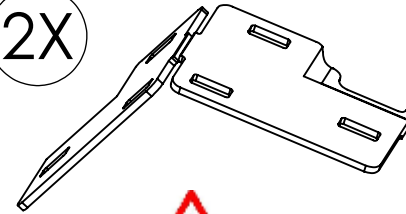
21



PREDSOBLJE LIBERTA CIPELAR 2L+1KIP

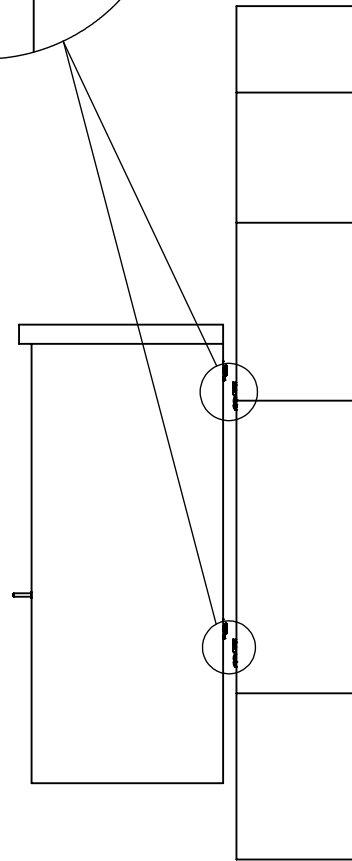
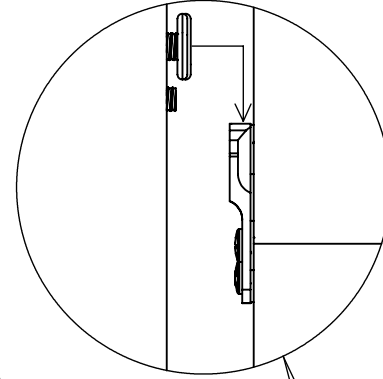
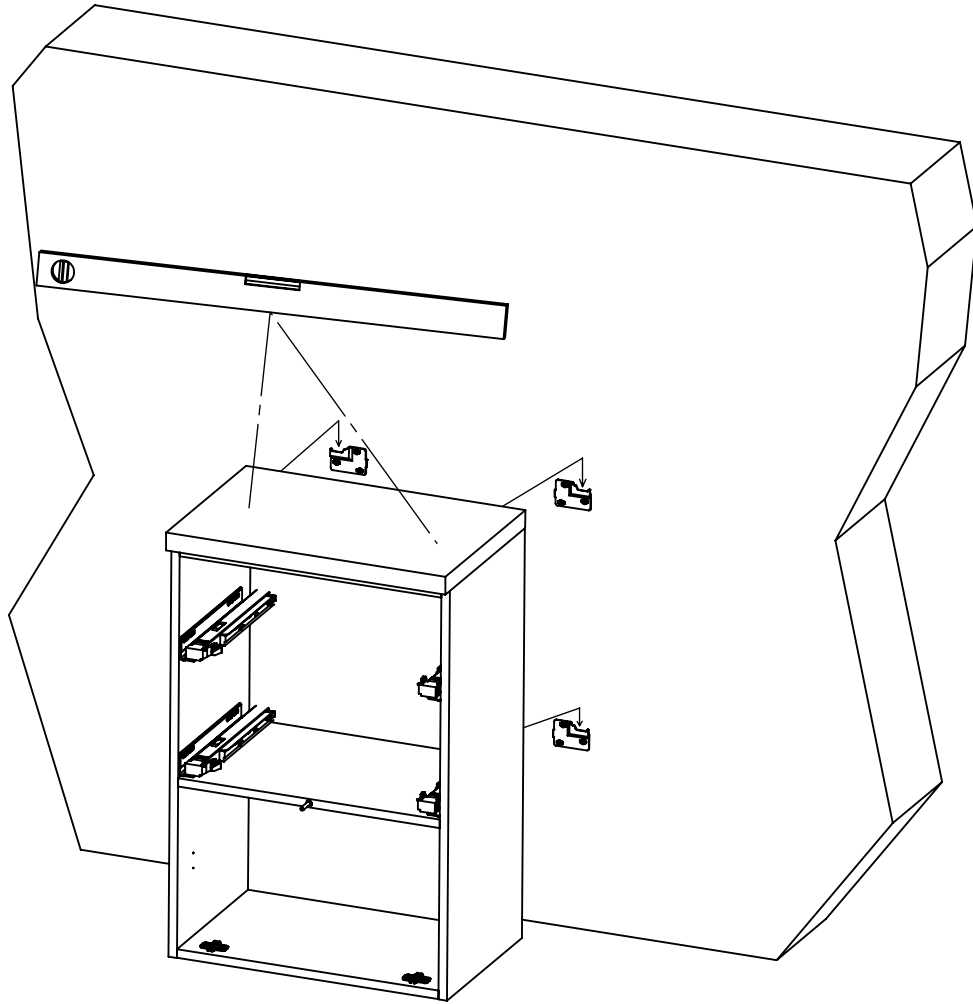
22

2X

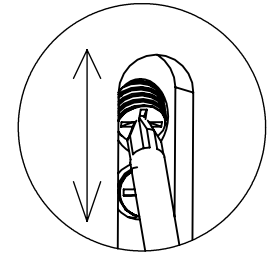


PREDSOBLJE LIBERTA CIPELAR 2L+1KIP

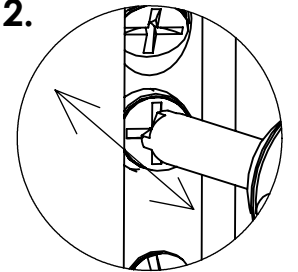
23



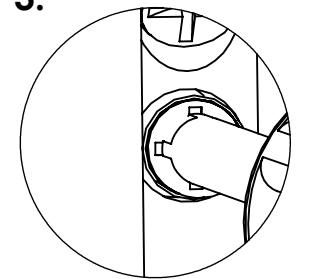
1.



2.

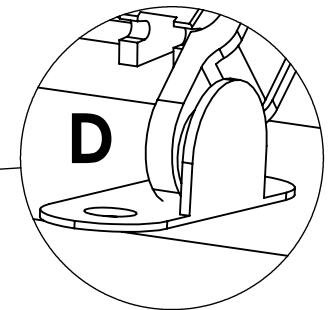
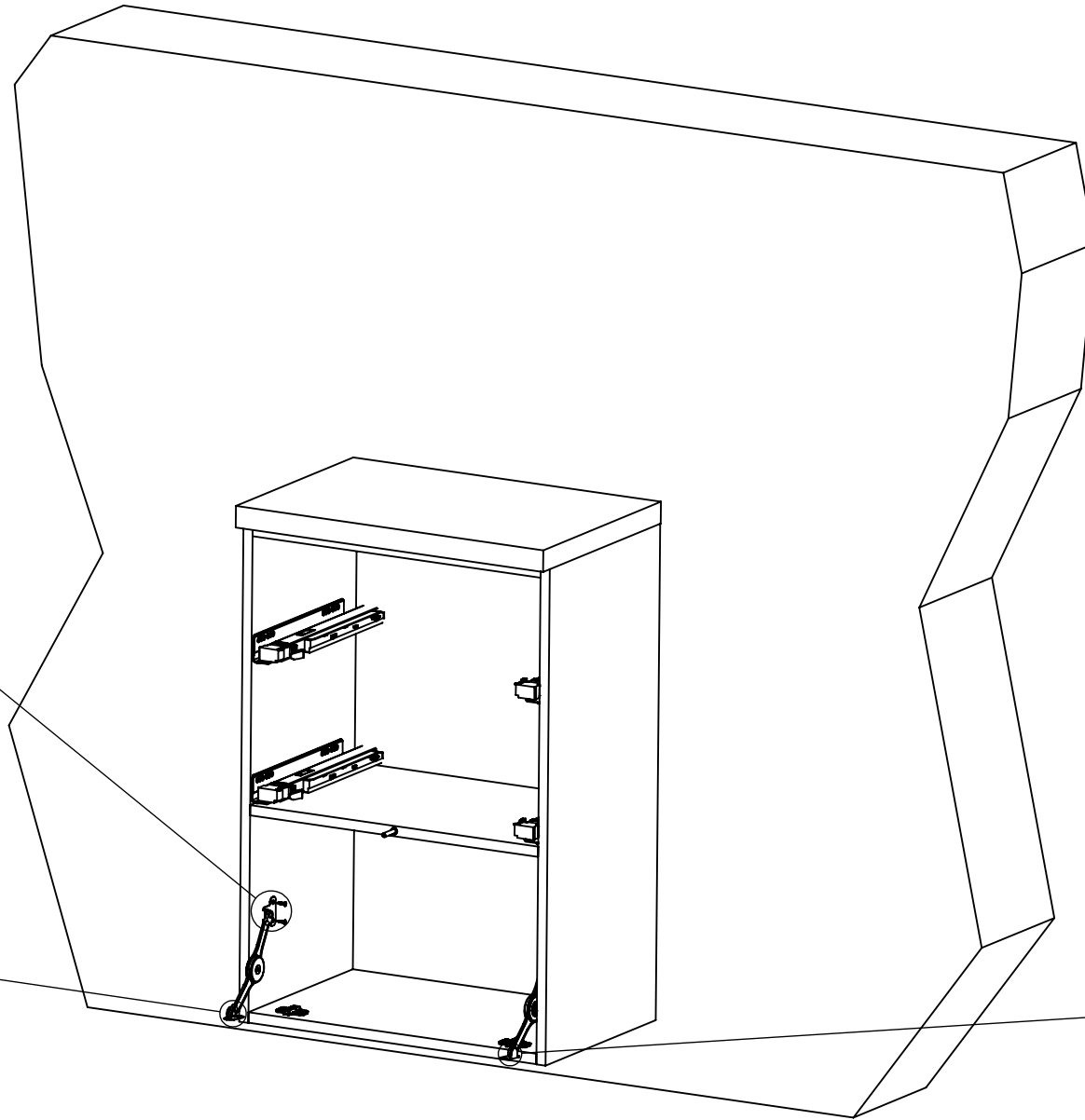
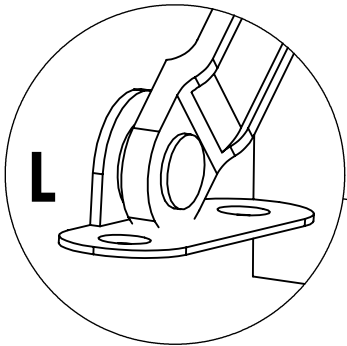
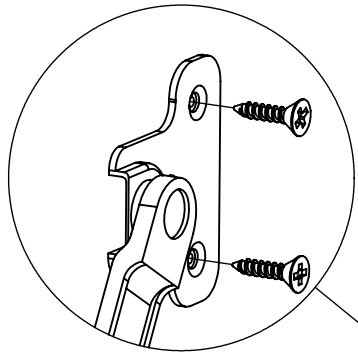
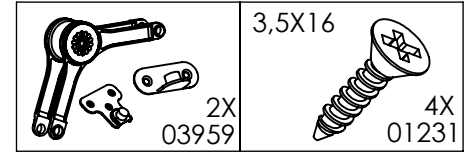


3.



PREDSOBLJE LIBERTA CIPELAR 2L+1KIP

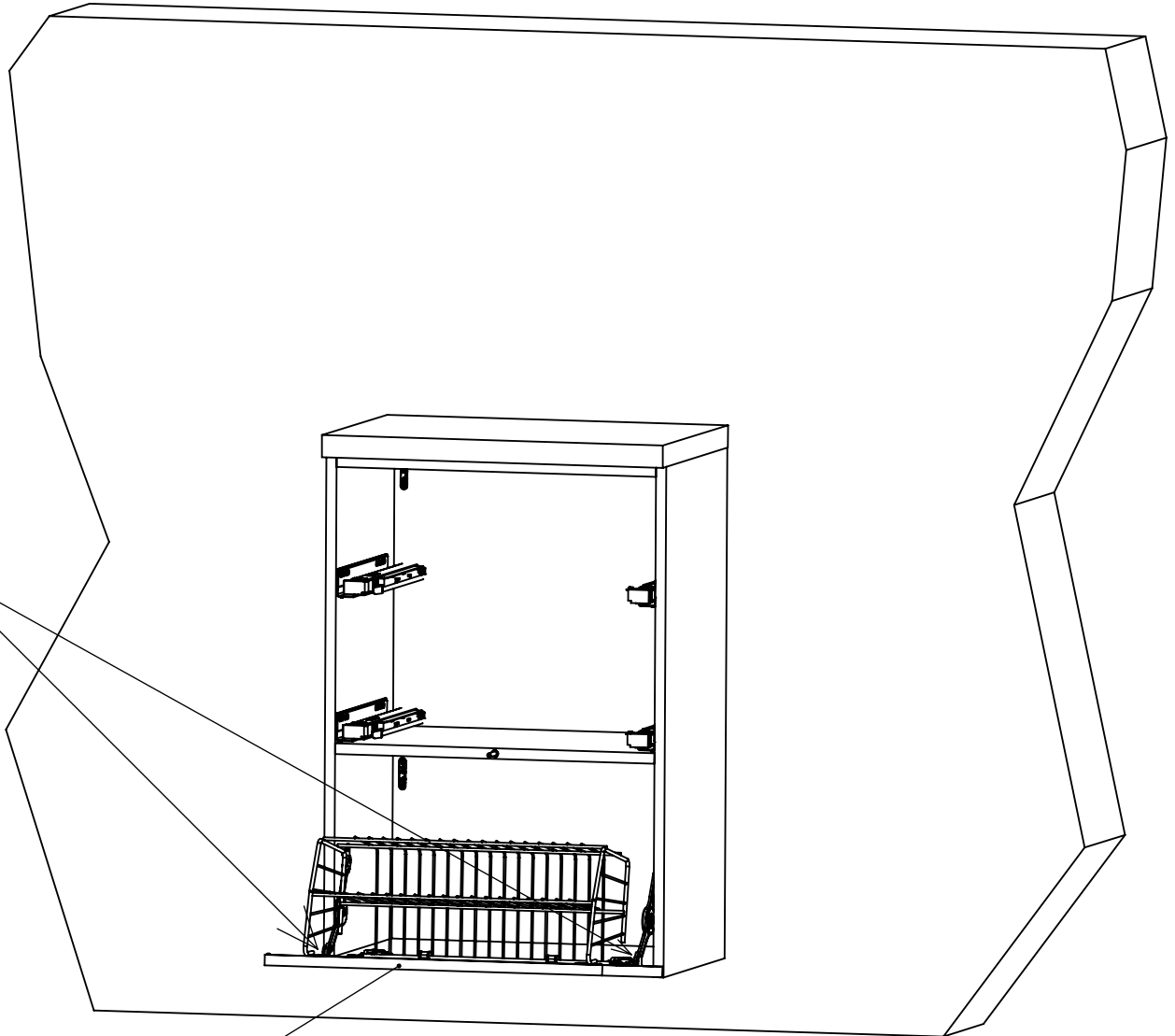
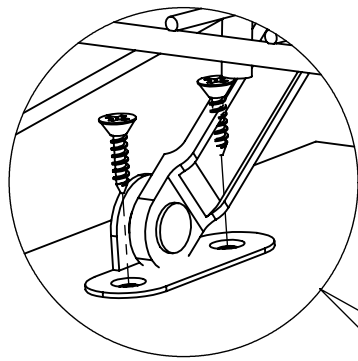
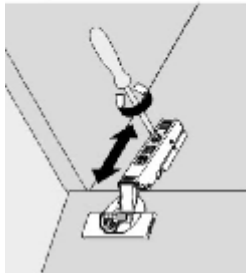
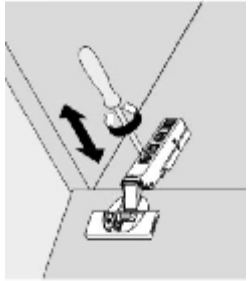
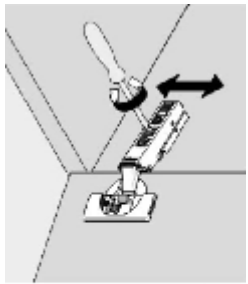
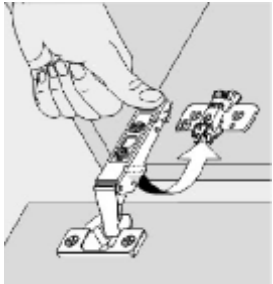
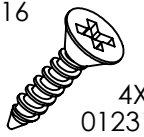
24



PREDSOBLJE LIBERTA CIPELAR 2L+1KIP

25

3,5X16



10

PREDSOBLJE LIBERTA CIPELAR 2L+1KIP

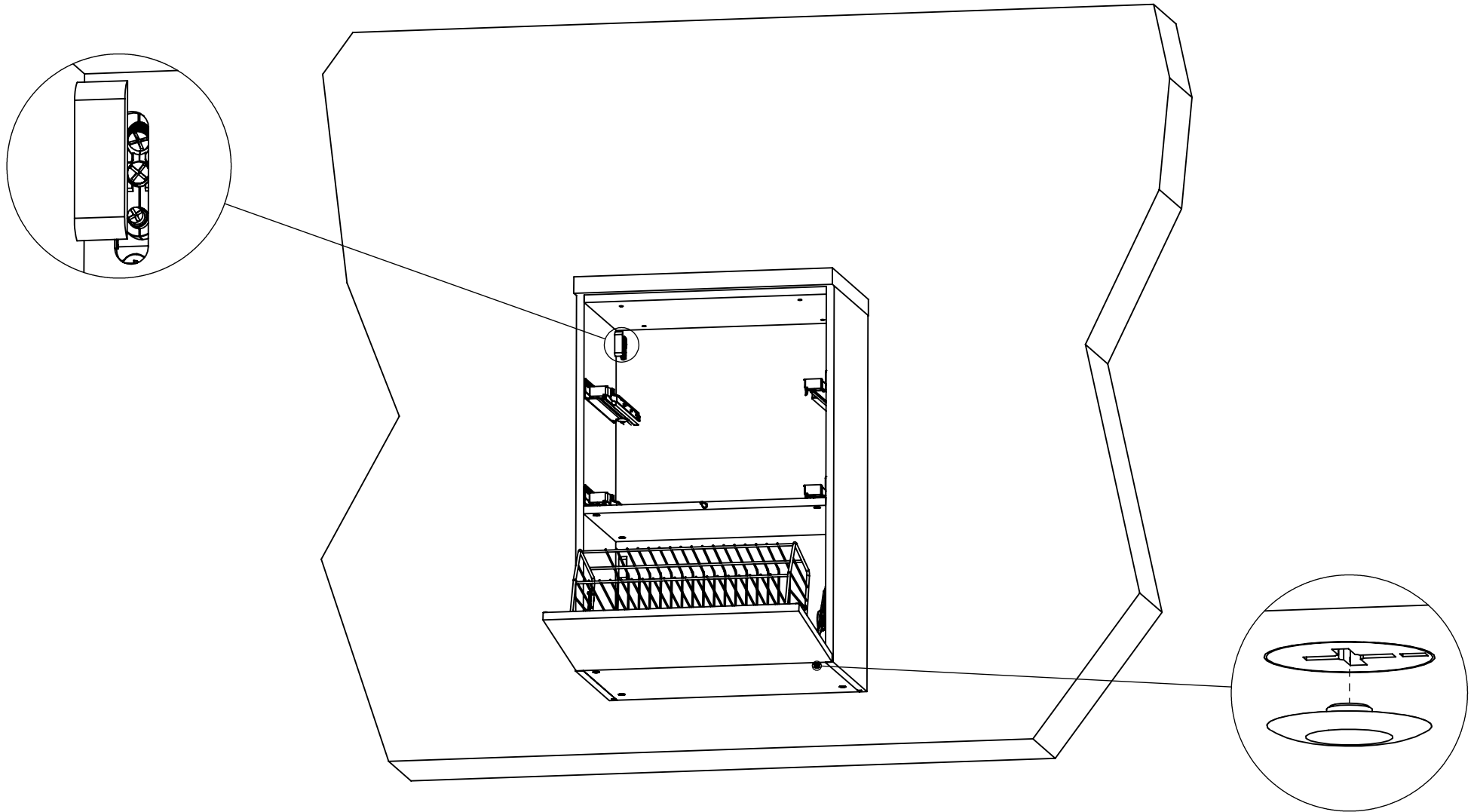
26



4X
20611
20612

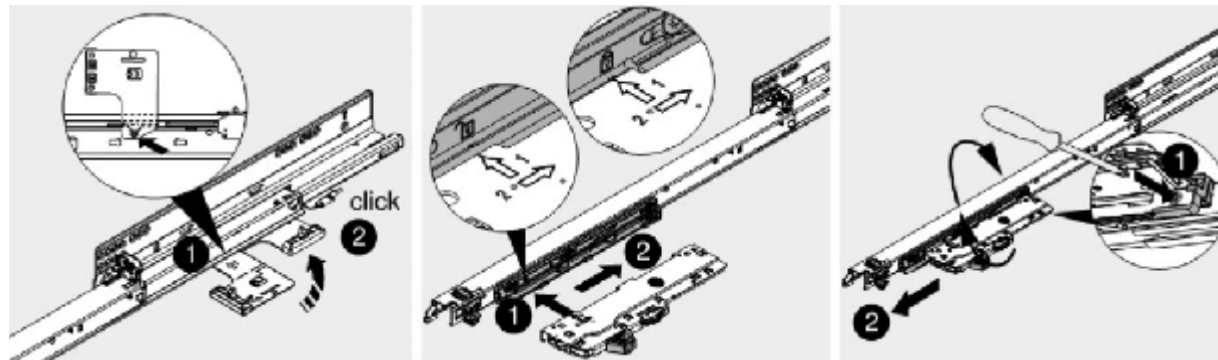
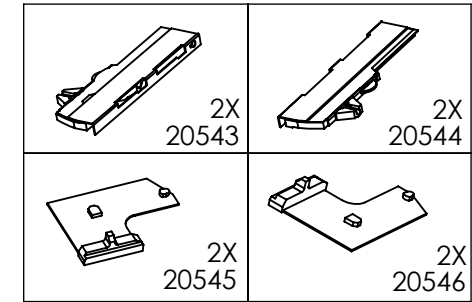
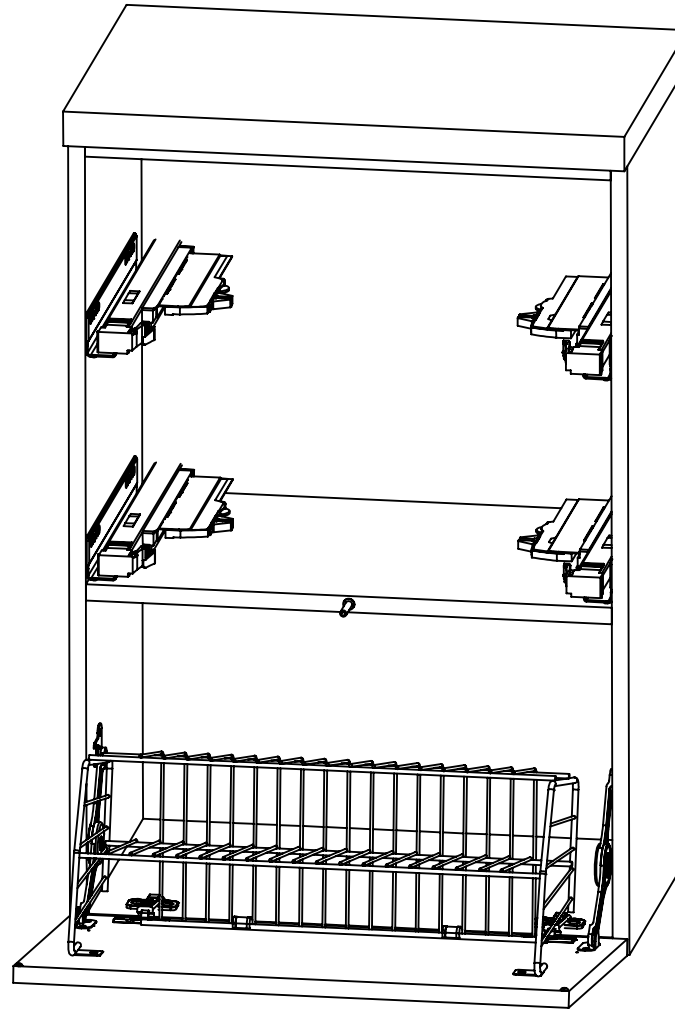


4X
00417
11373



PREDSOBLJE LIBERTA CIPELAR 2L+1KIP

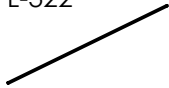
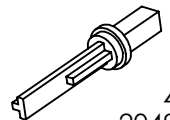
27

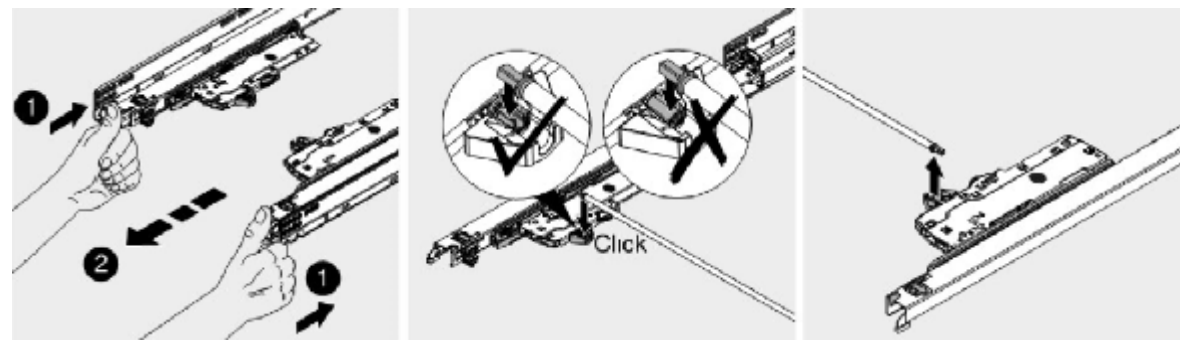
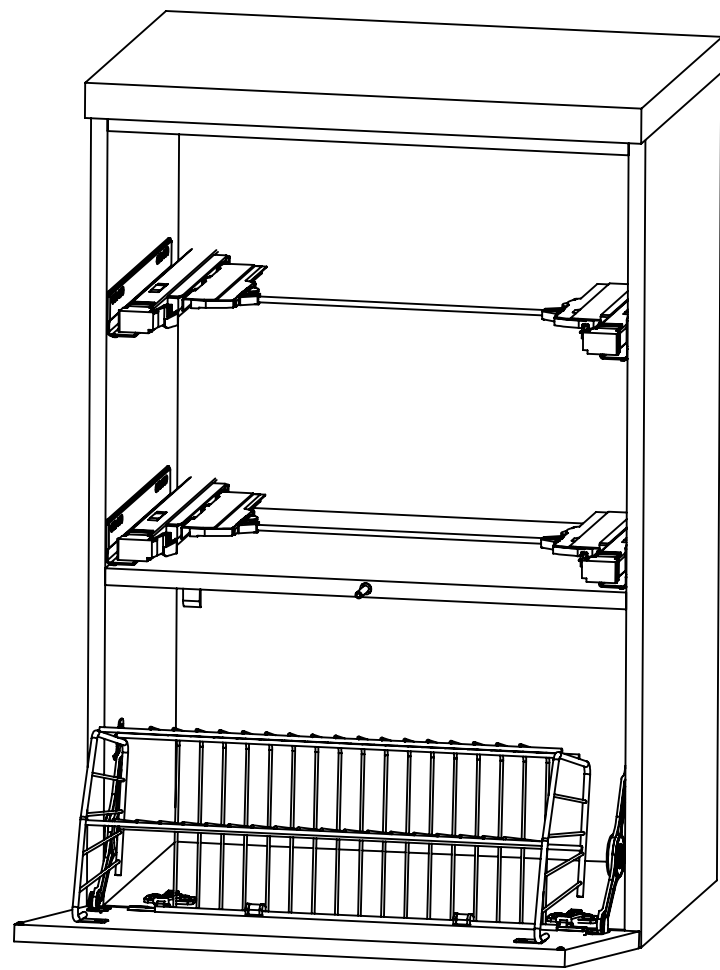
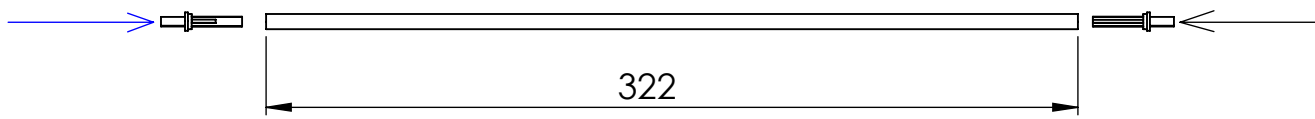


PREDSOBLJE LIBERTA CIPELAR 2L+1KIP

28

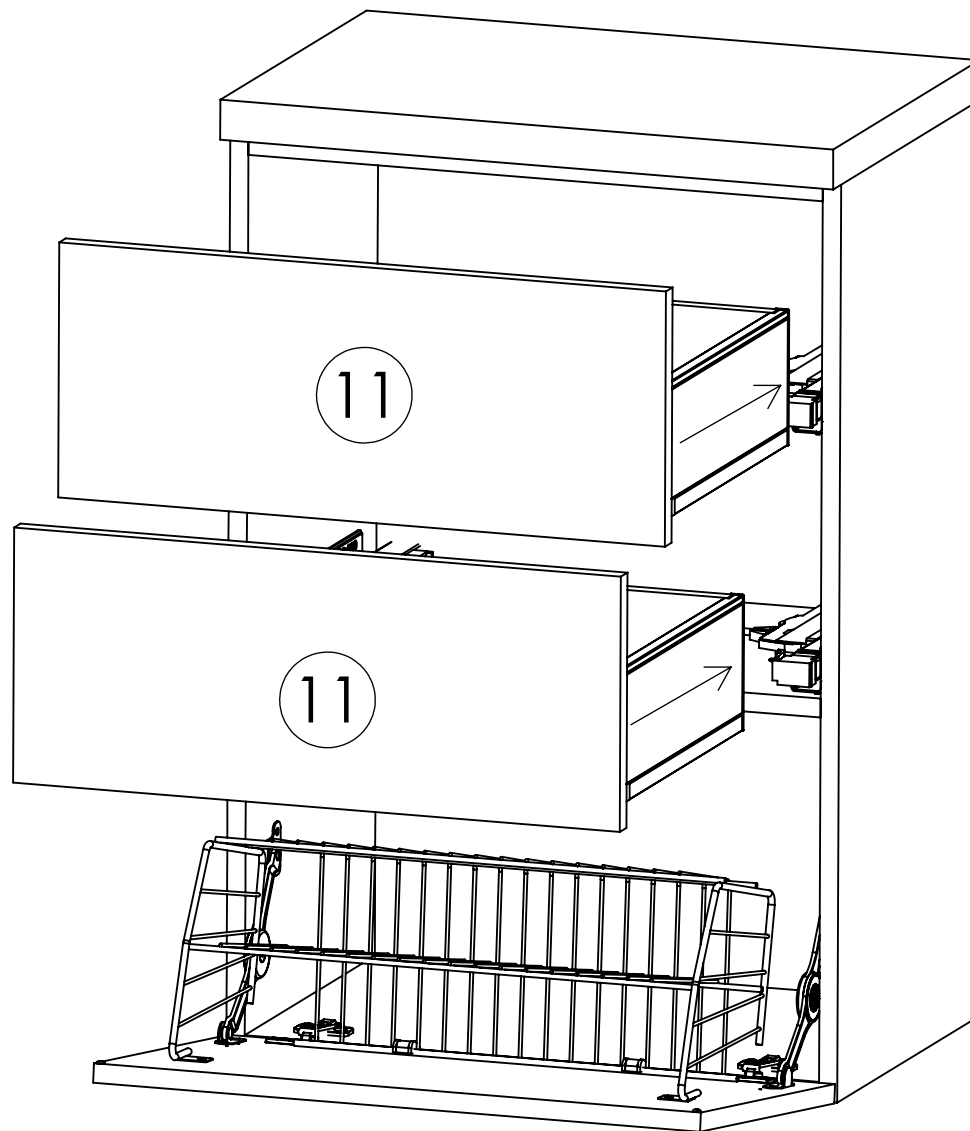


L-322		
	2X 13340	4X 20492



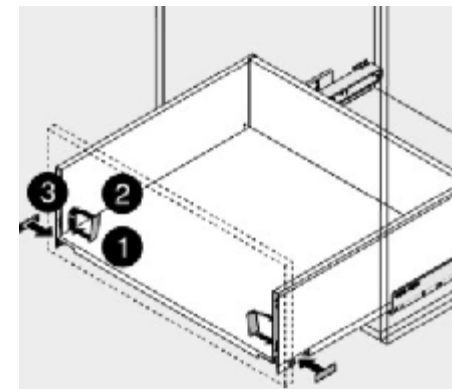
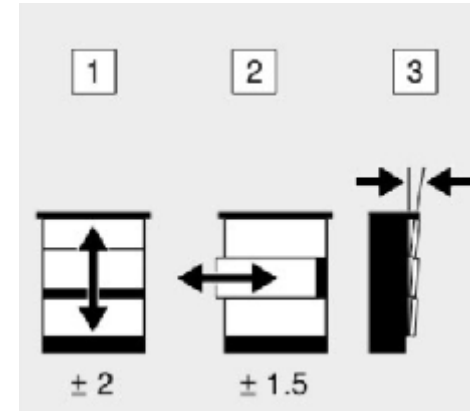
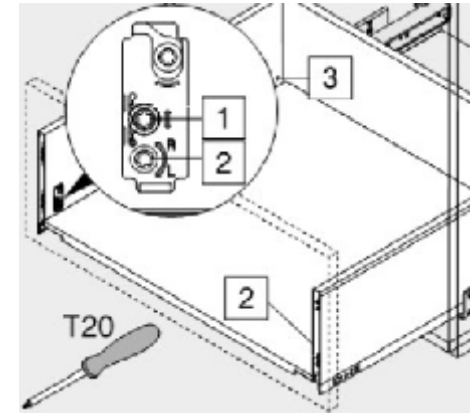
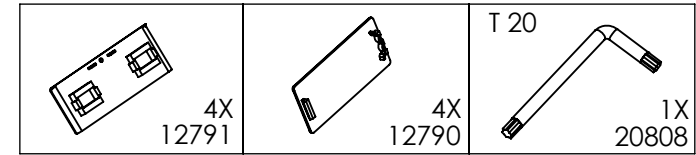
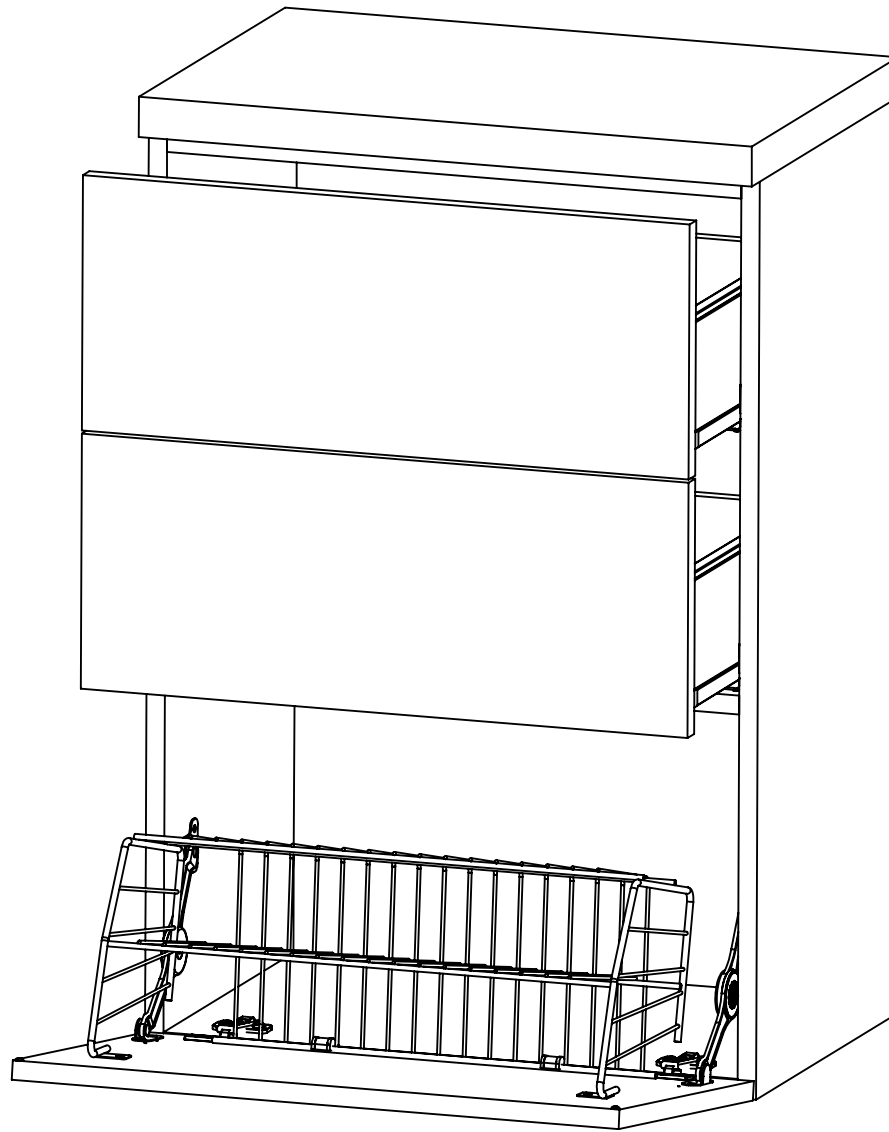
PREDSOBLJE LIBERTA CIPELAR 2L+1KIP

29



PREDSOBLJE LIBERTA CIPELAR 2L+1KIP

30



PREDSOBLJE LIBERTA CIPELAR 2L+1KIP

31

