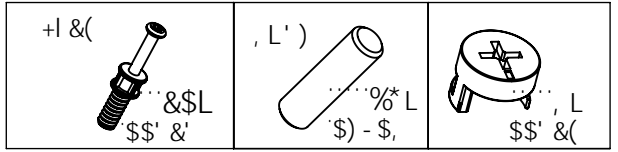


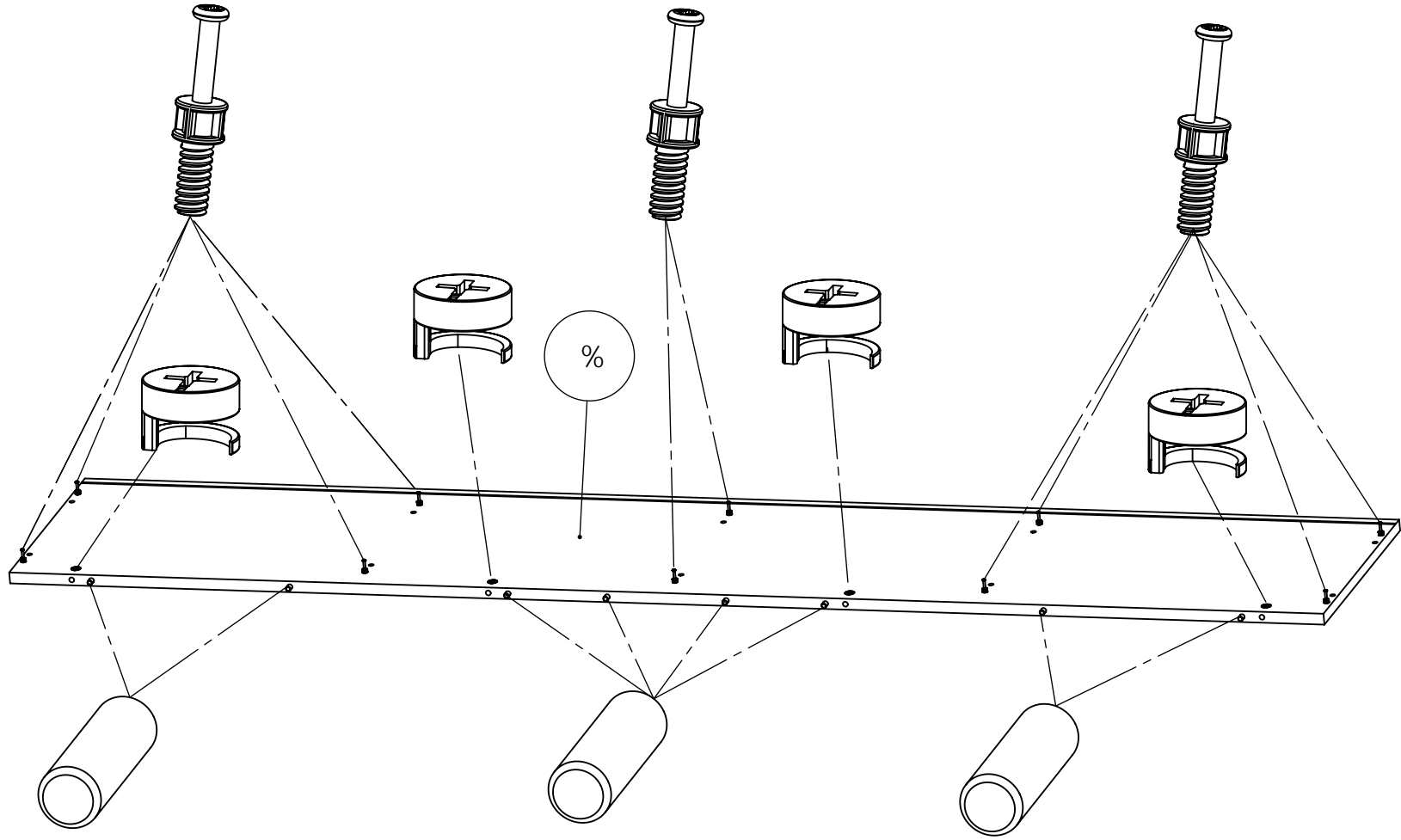


# DC F15 ? C A C 85 & J F! & GH

%

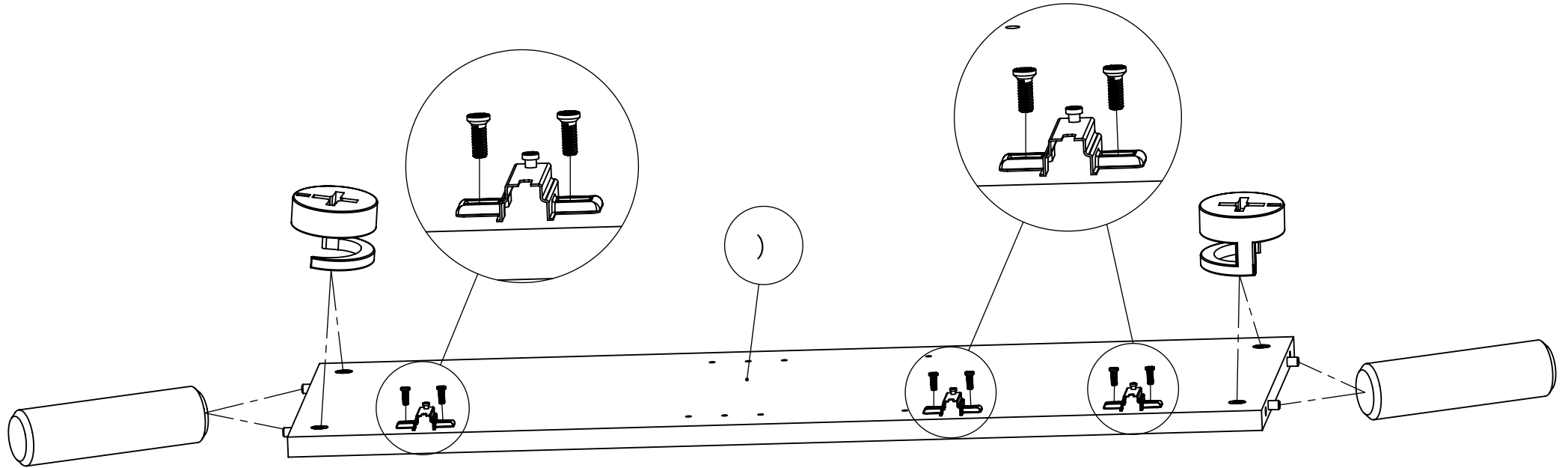
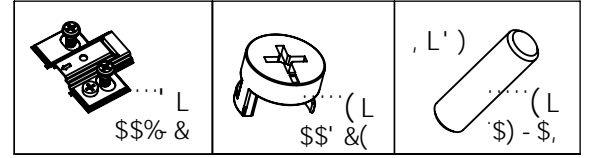


&L



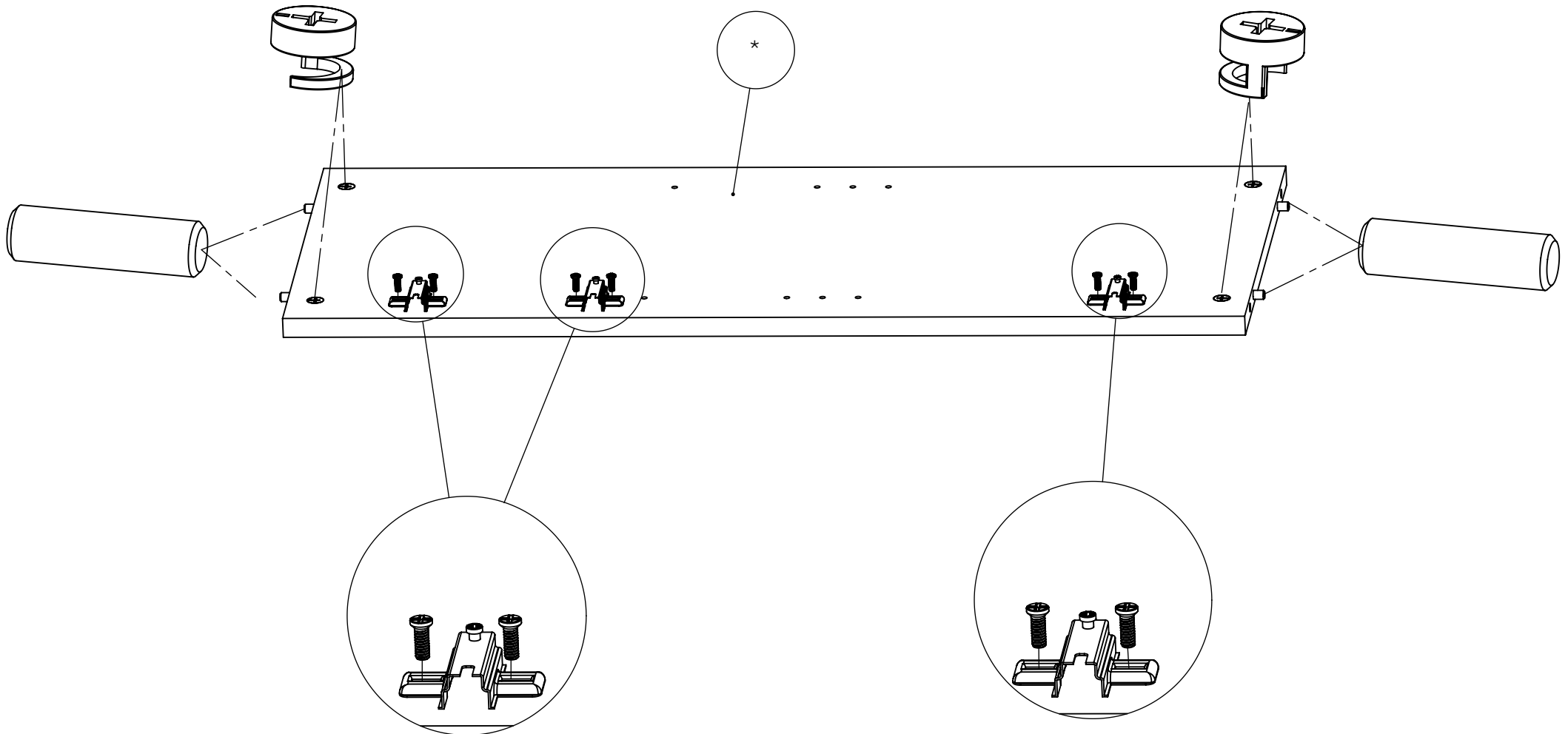
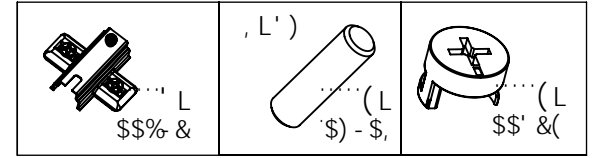
# DC FH5 " ? C A C 85 & J F ! & G H

&"



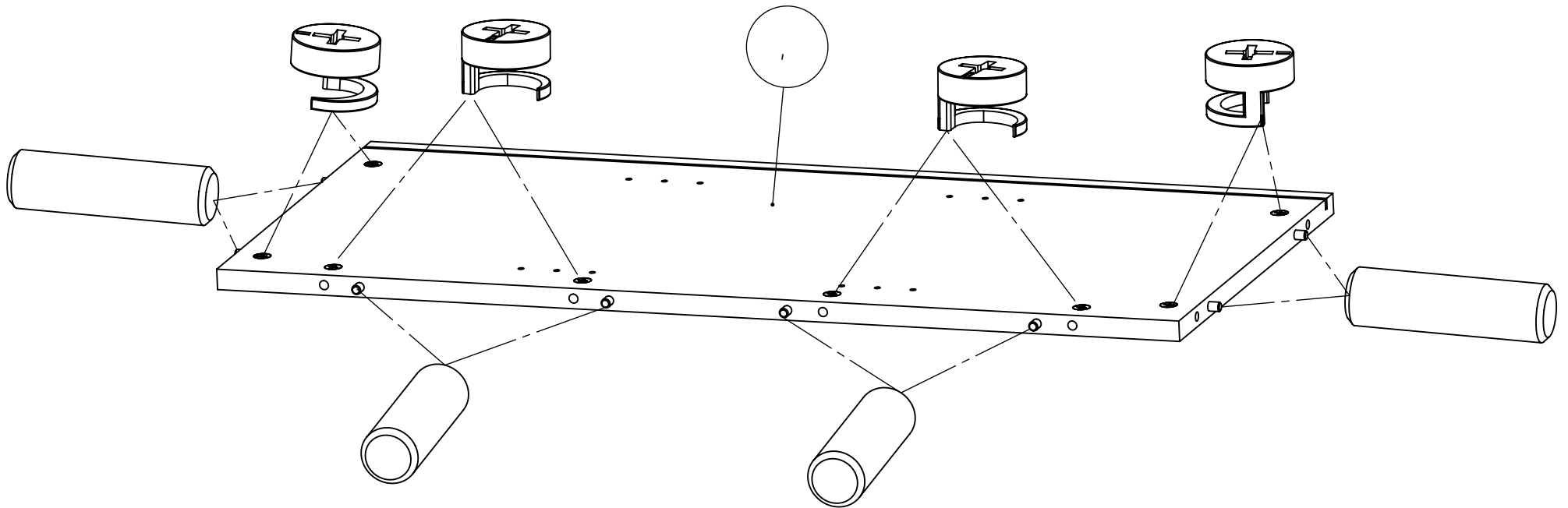
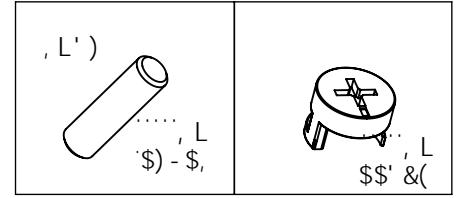
# DC FH5 " ? C A C 85 ' & J F ! & G H

I II



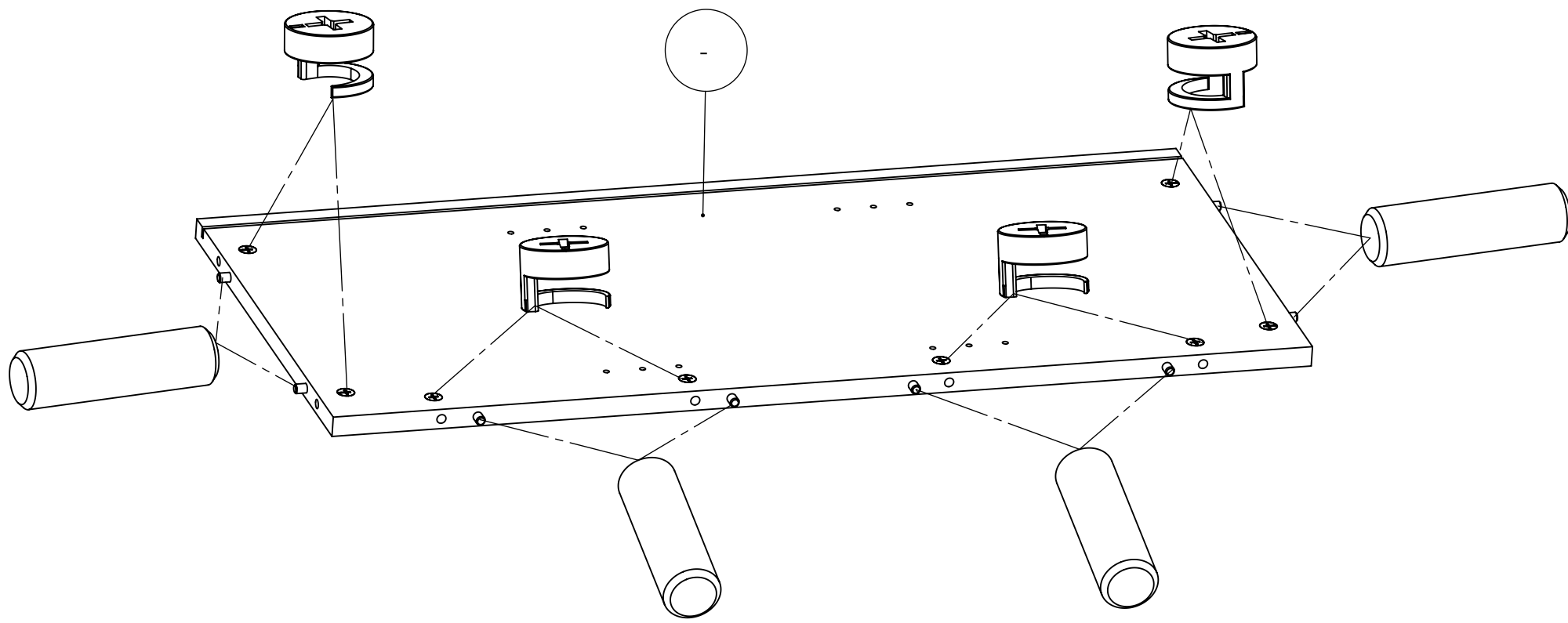
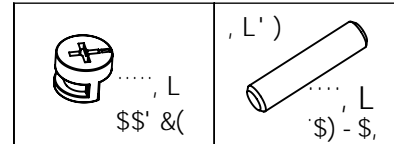
# DC F15 " ? C A C 85 ' & J F ! & G H

( "



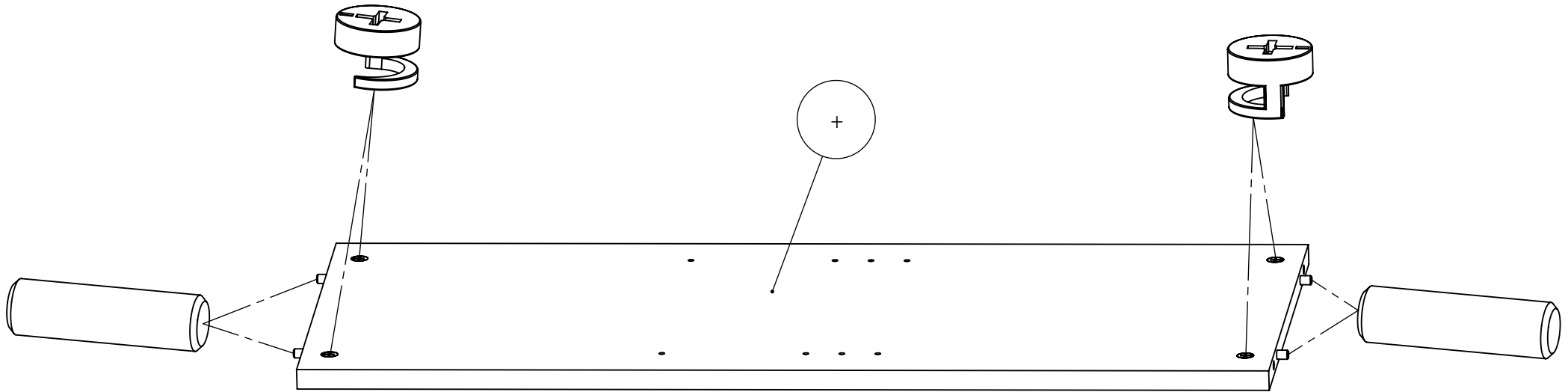
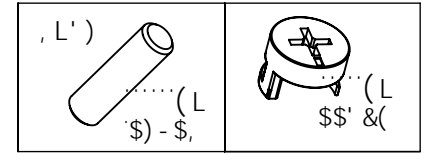
# DC F15 ' ? C A C 85 ' & J F ! & G H

) "



# DC FH5 ?C A C 85 & J F! & GH

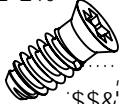


\* II



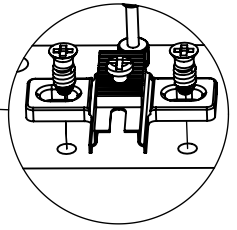
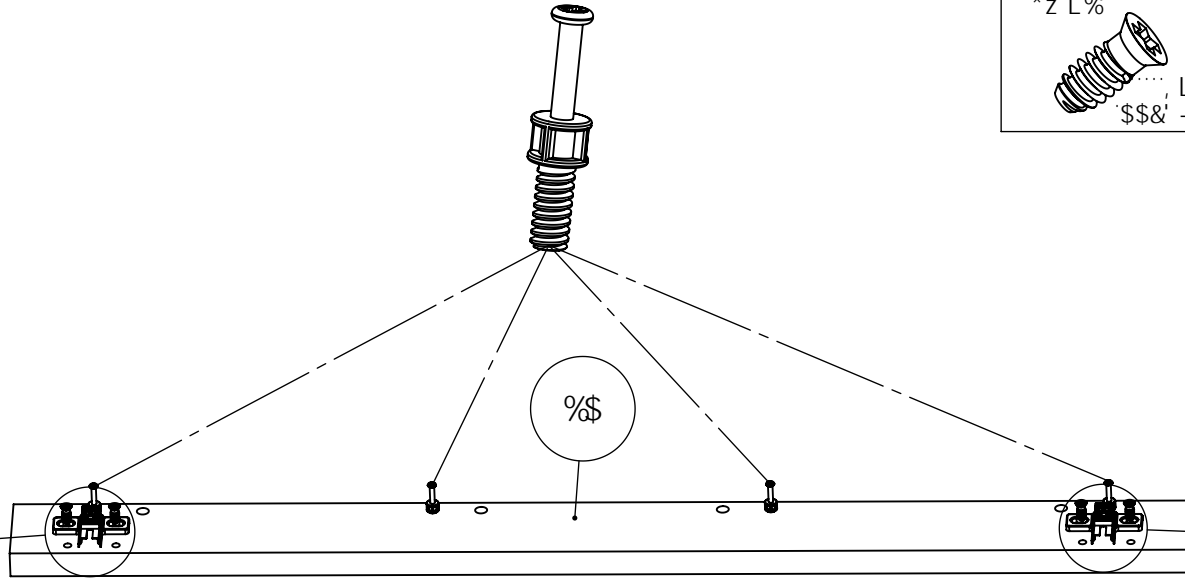
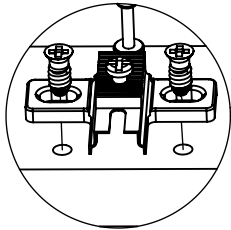
# DC FH5 ?CA C 85 !&J F!&GH

+''

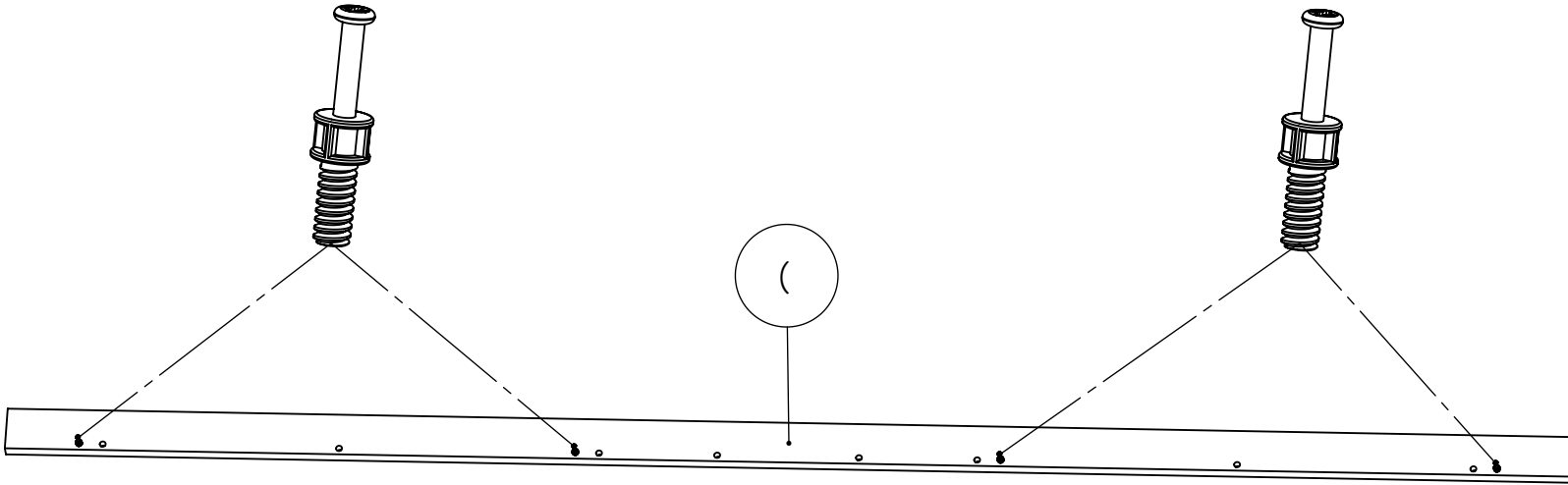
&L

<p>*Z L%</p>  <p>L \$\$&amp; -</p>	<p>+! &amp;(</p>  <p>(L) \$\$% \$</p>	 <p>'%* L \$\$' &amp;</p>
---	--	--

%\$



(

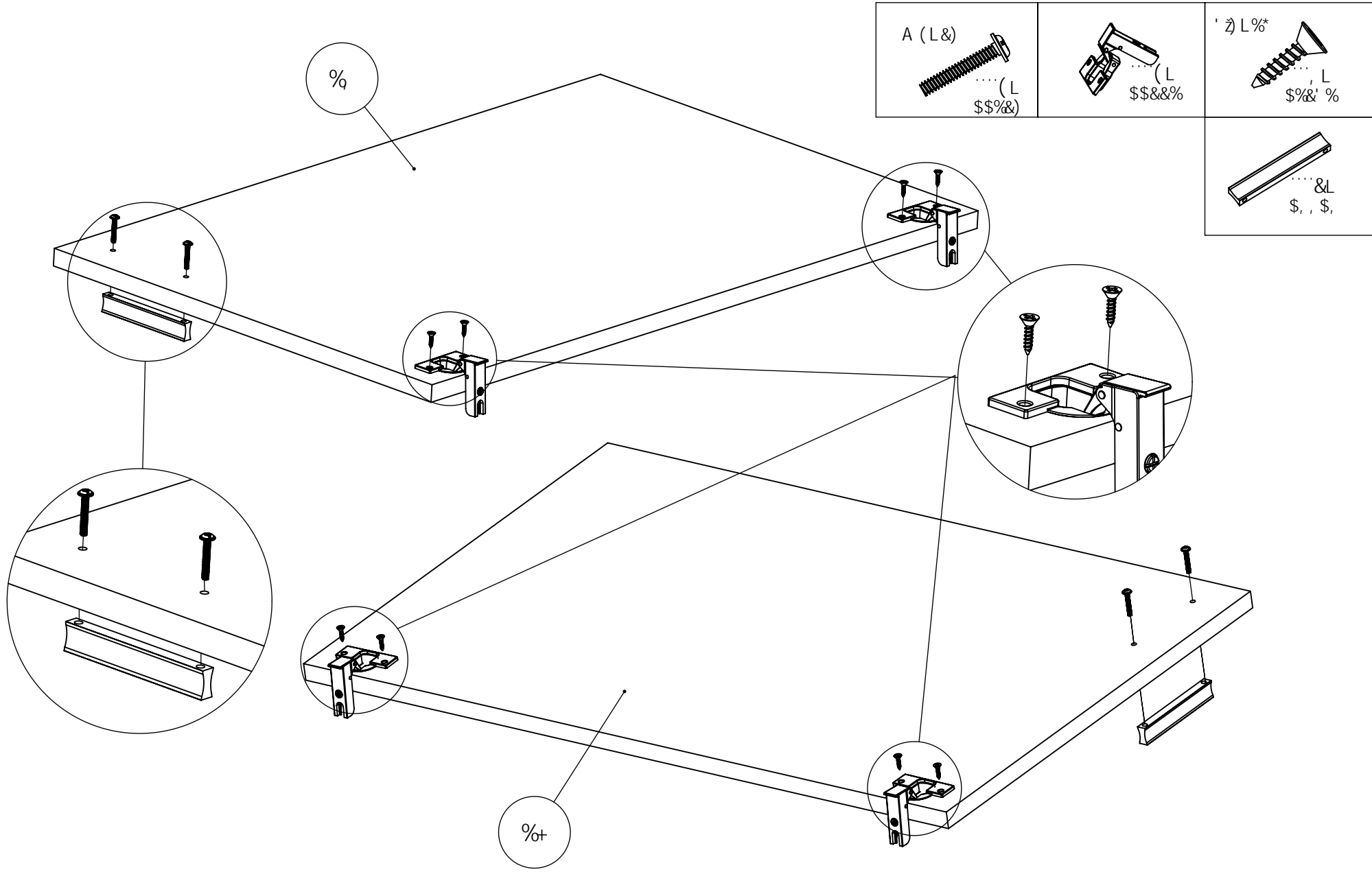




# DC FH5 ' ? C A C 85 ' & J F ! & G H

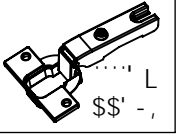
II

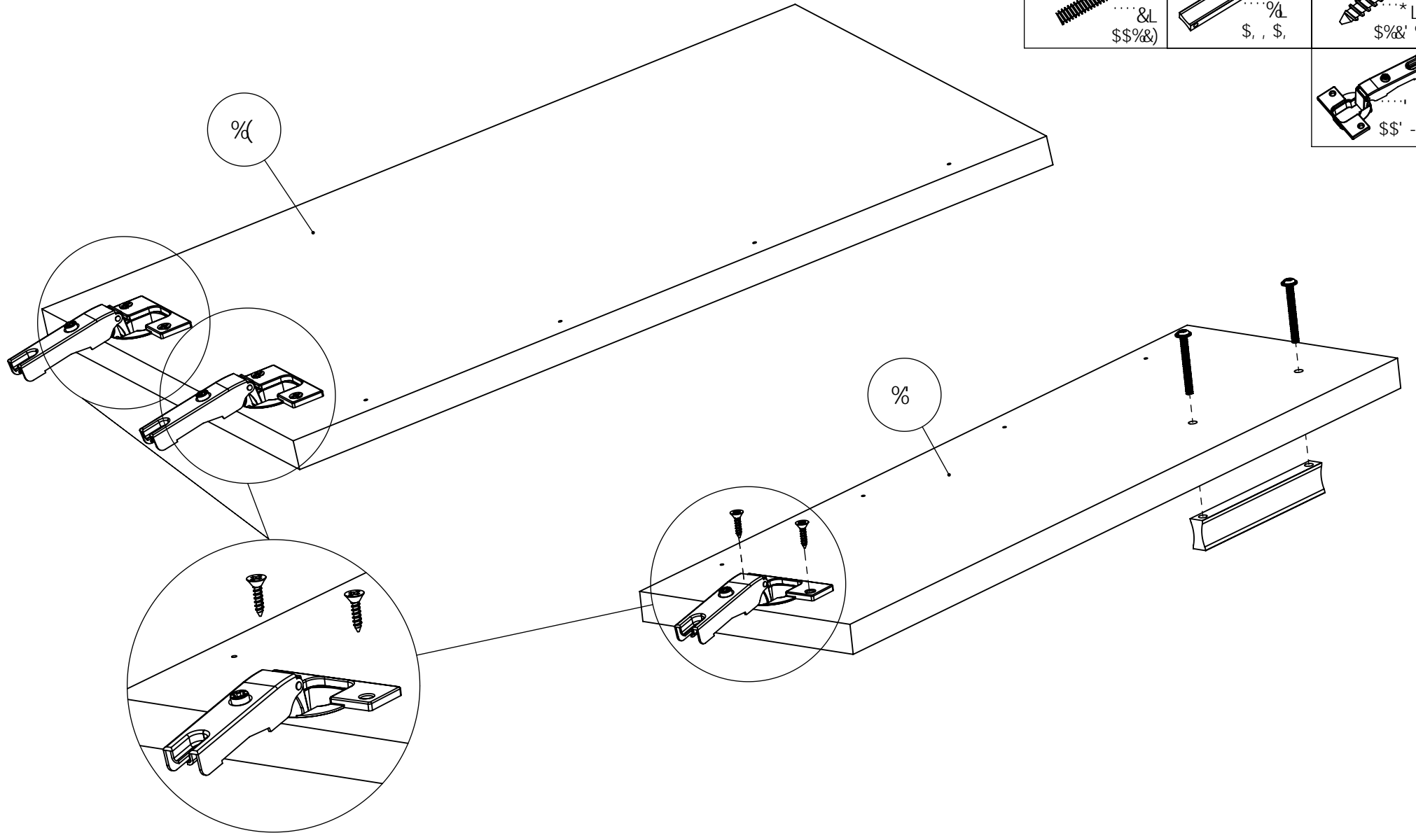
I



# DC FH5 ?C A C 85 & J F! & GH

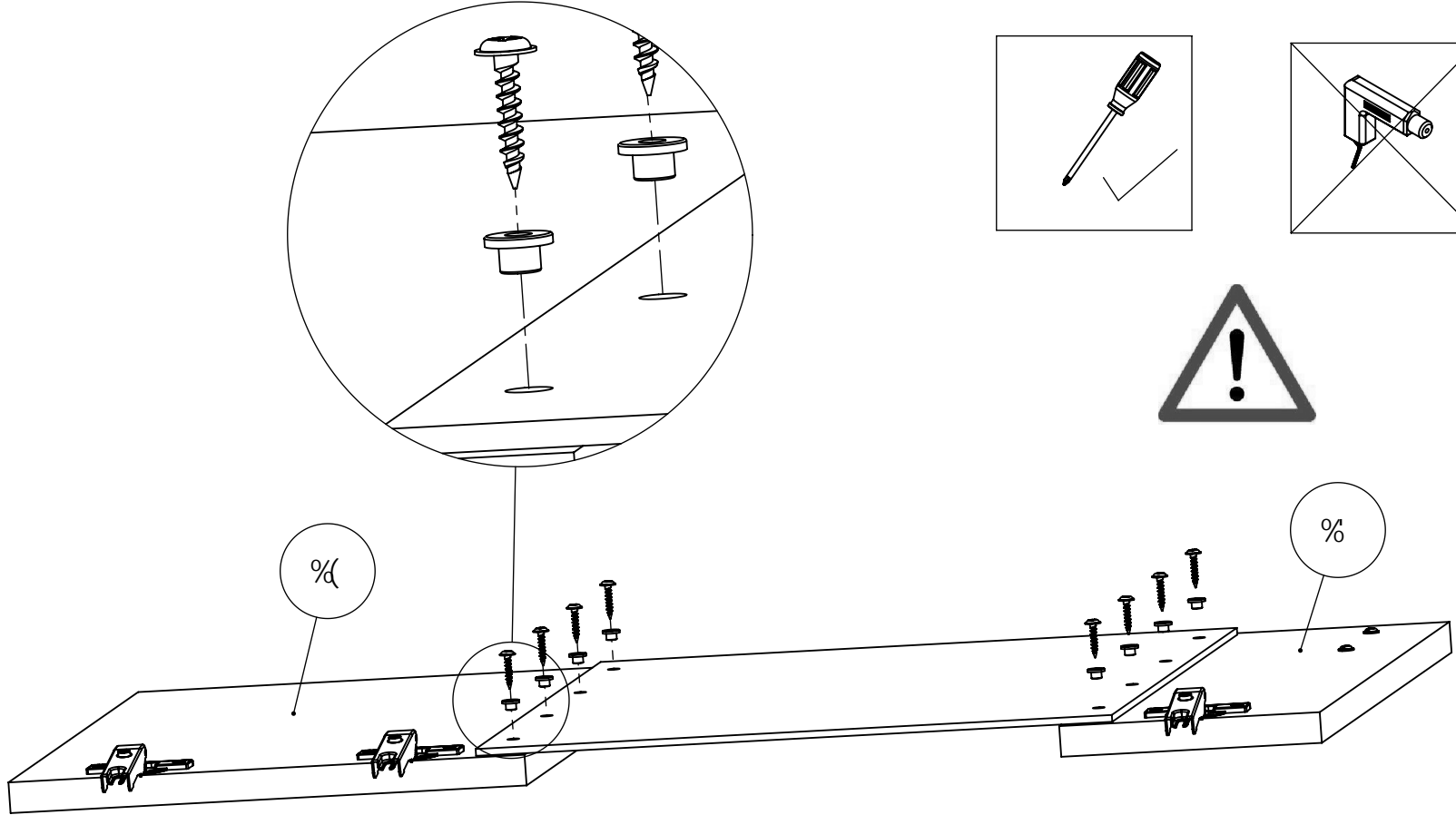
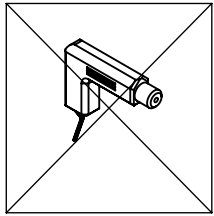
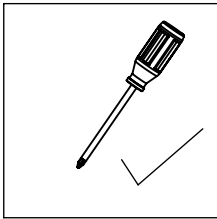
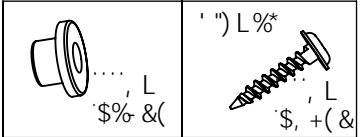
- "

A (L&) .....&L \$\$\$%&	.....%d \$, , \$,	' ž) L%* .....*L \$%&! %
		



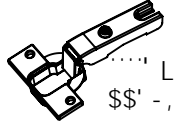
# DC FH5 ?CA C 85 &J F! &GH

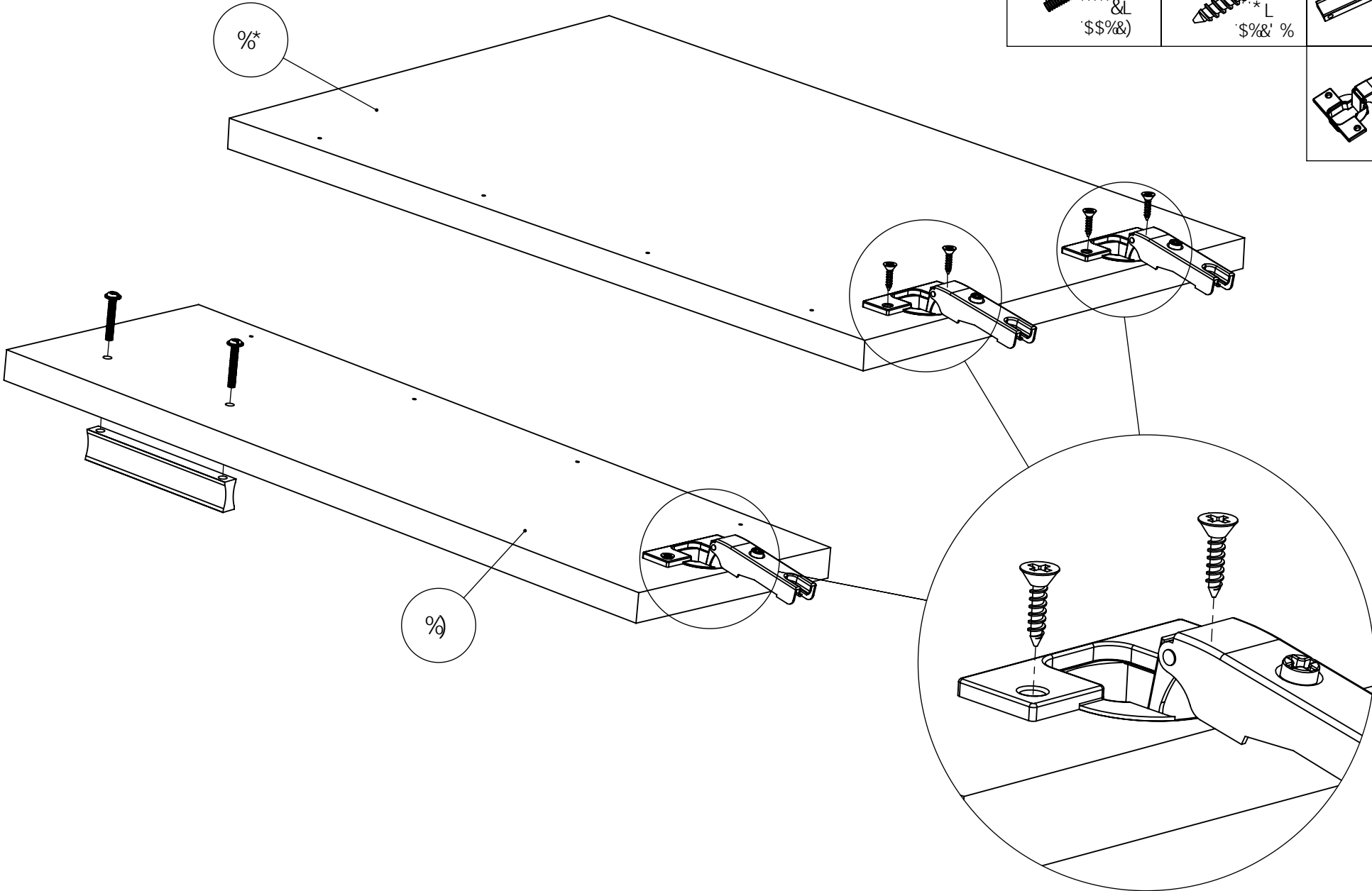
%\$"



# DC FH5 ?CA C 85 &J F! &GH

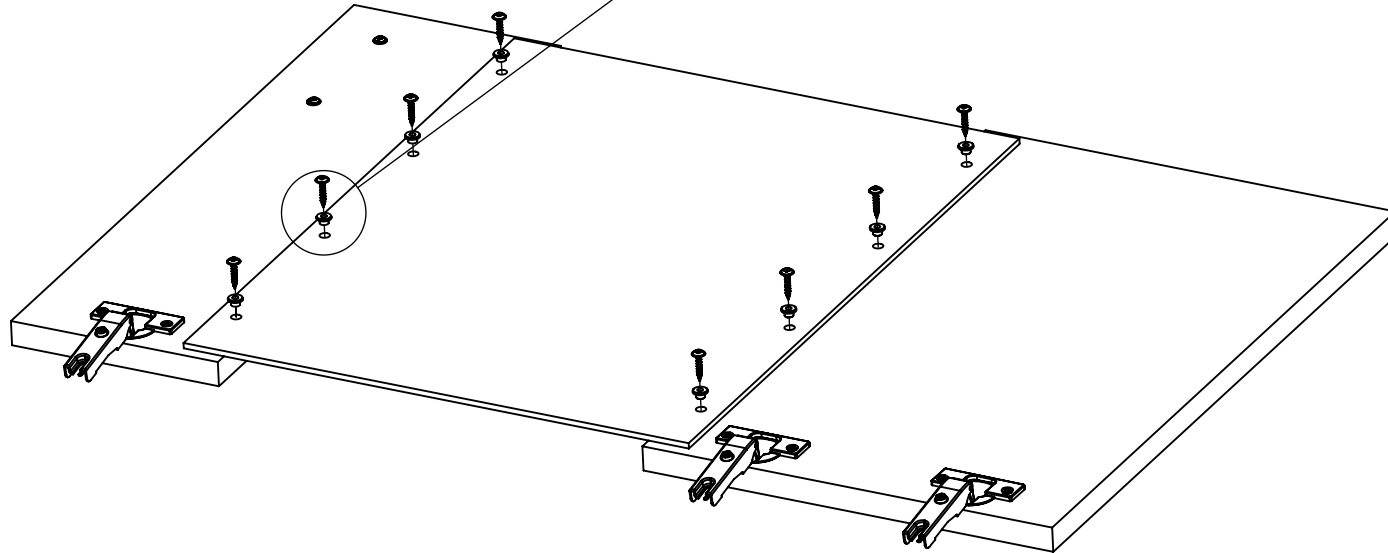
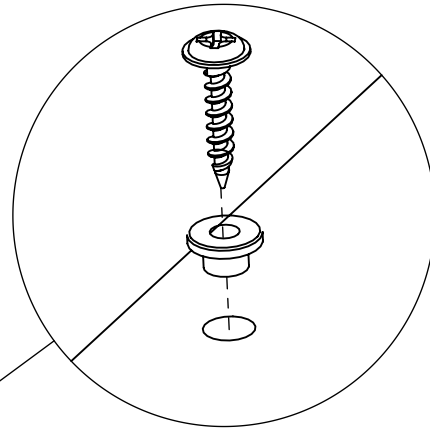
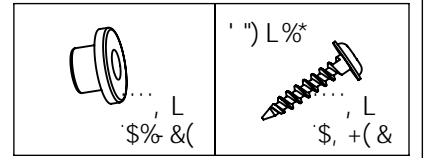
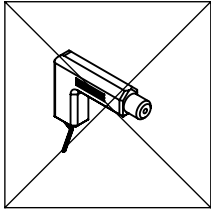
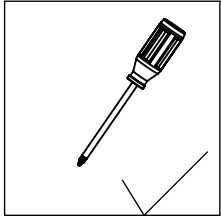
0/0/0"

(L&) .....&L \$\$%&)	' " ) L%* .....*L \$%&' %	.....% .....%
		



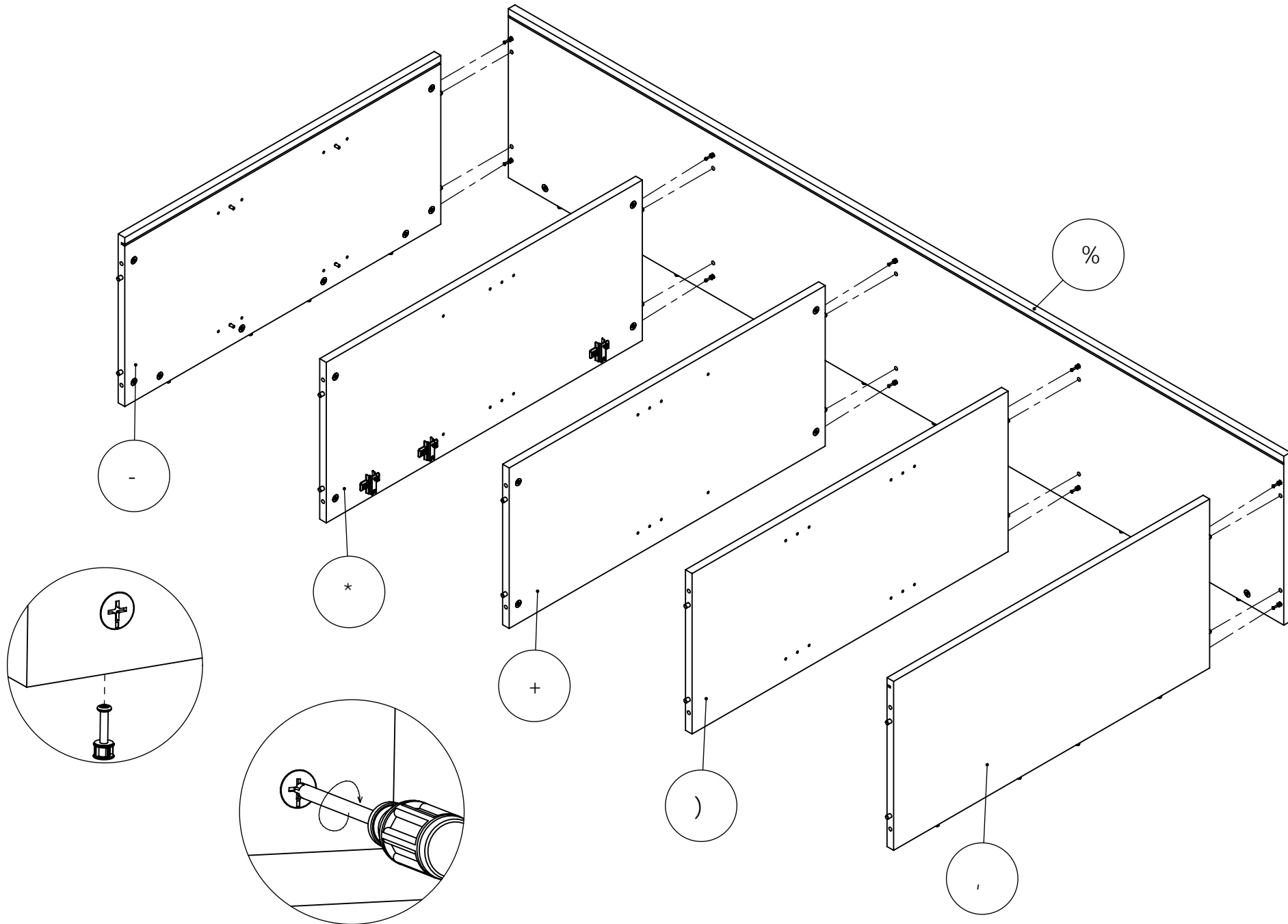
# DC F15 ?CA C 85 & J F! & GH

%&"



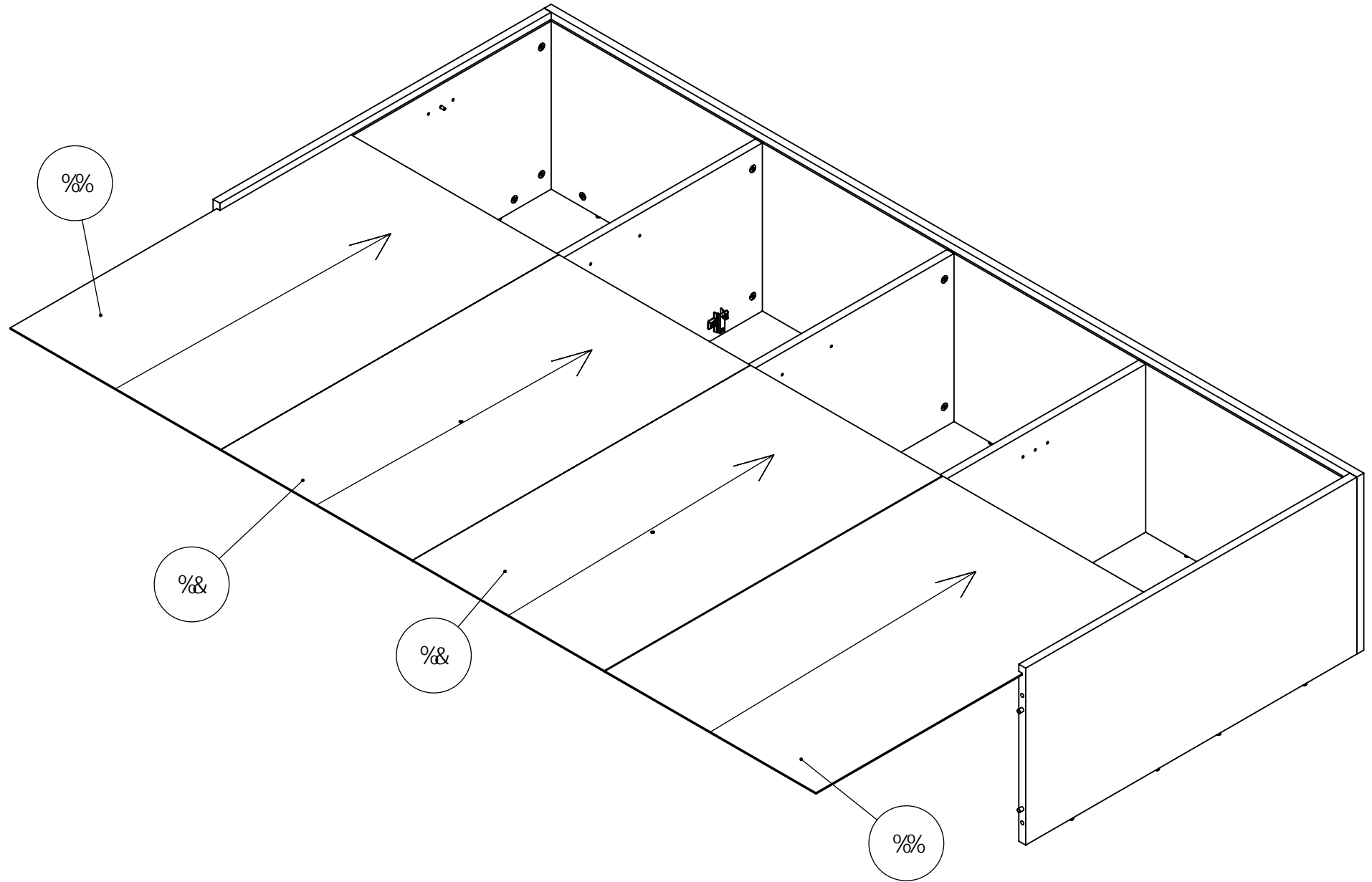
# DC FH5 ?CA C 85 &J F! &GH

% "



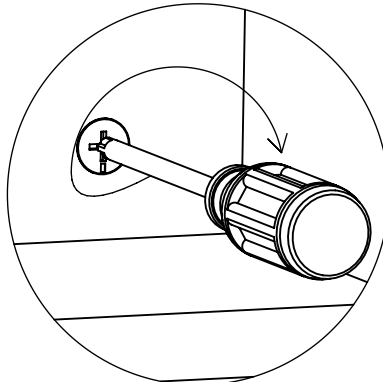
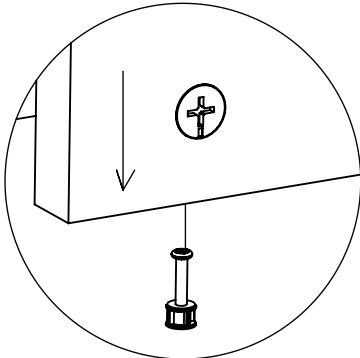
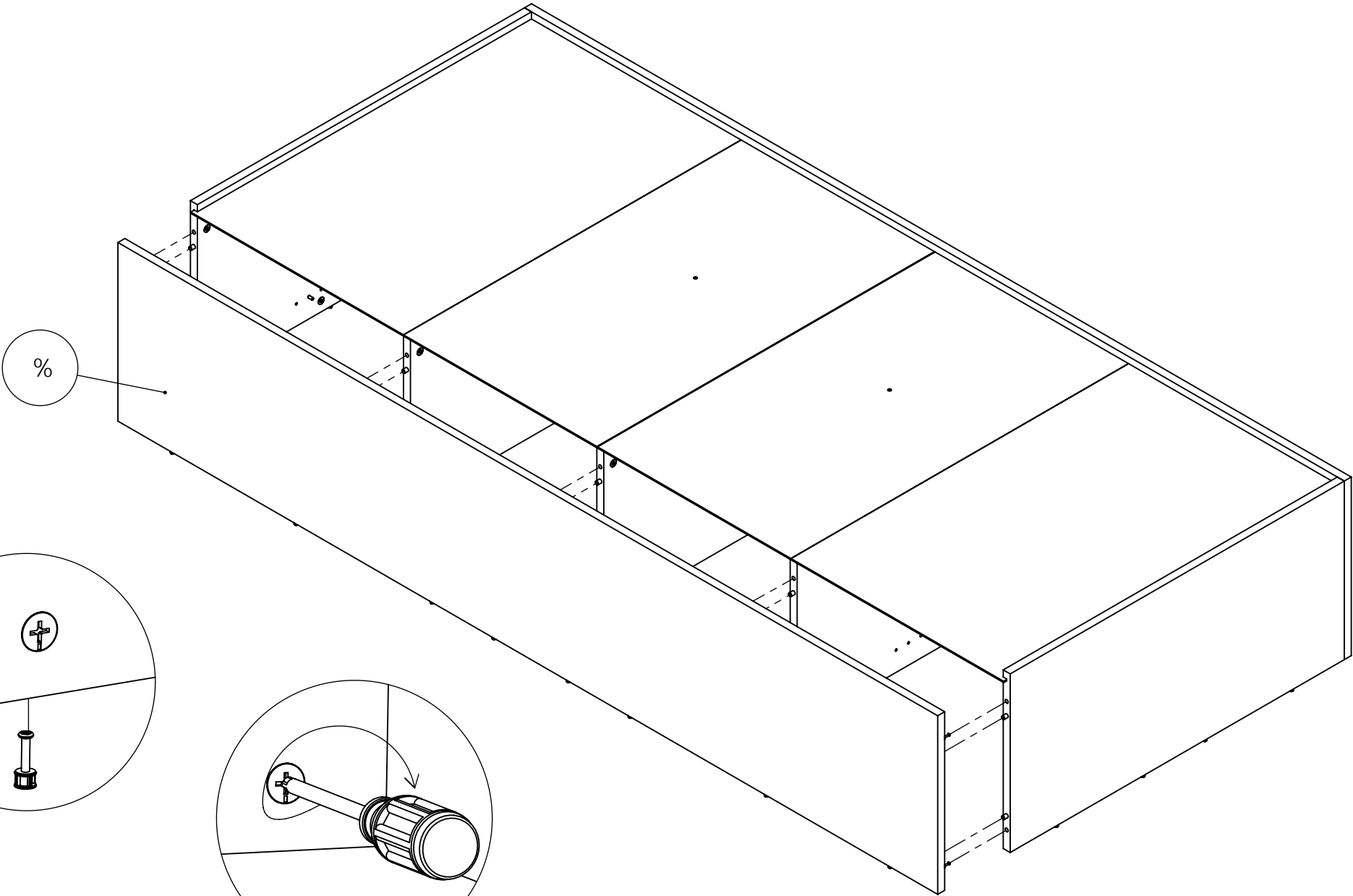
# DC F15 ?CA C 85 & J F! & GH

1/4 "



# DC FH5 ?CA C 85 &J F!&GH

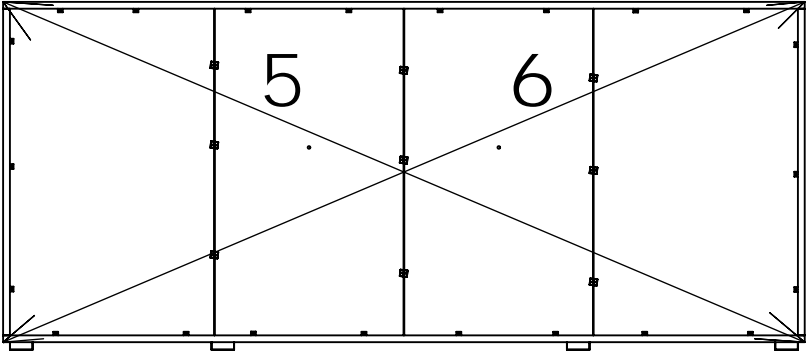
% "

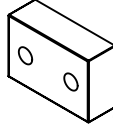








# DC FH5 ?CA C 85 &J F!&GH

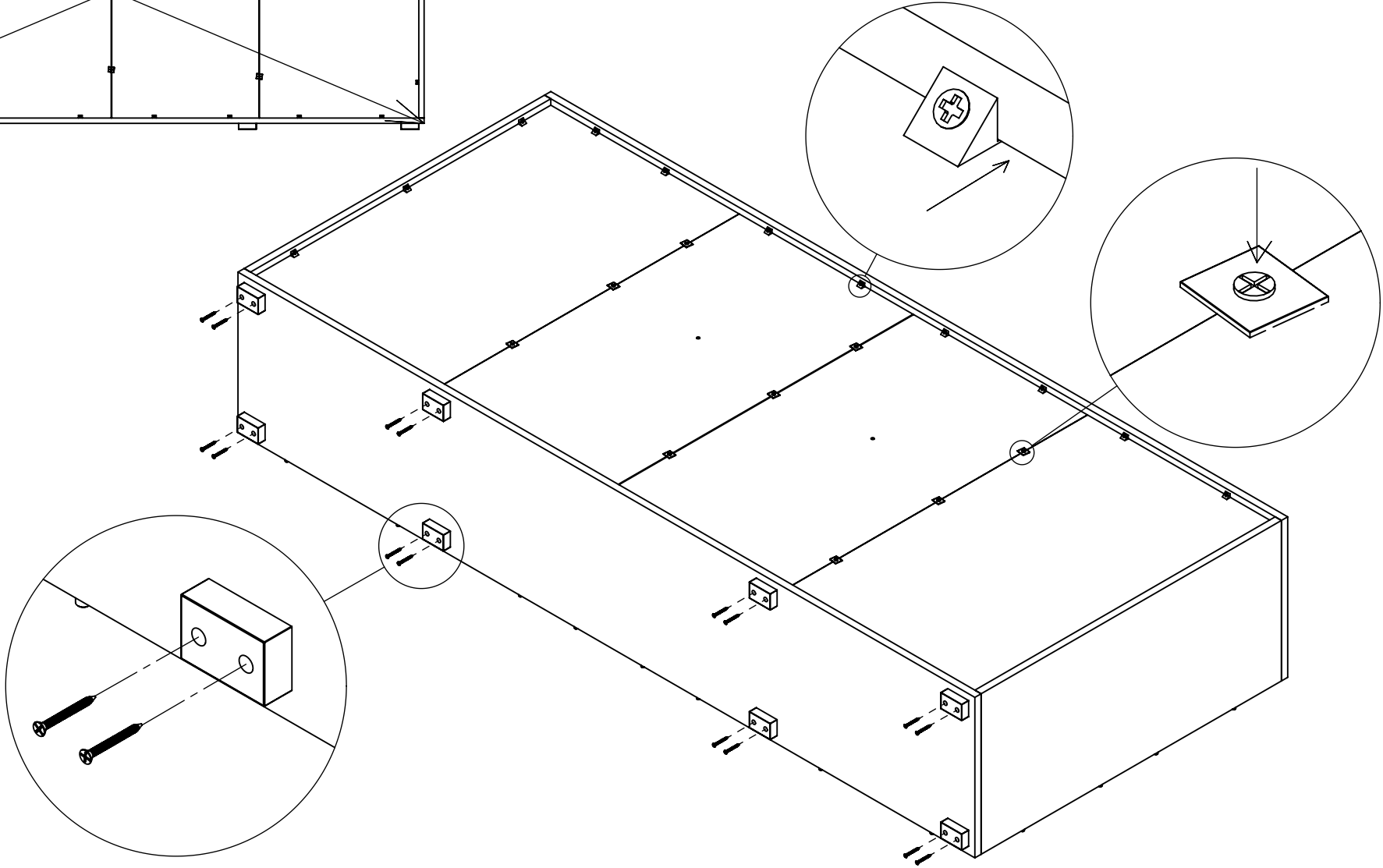
0/\* "



 .....L %\$' - *	(L&\$  %*L \$\$%&'	 .....L \$' &- %	'L&\$  .....L \$\$&' \$	 .....&&L \$\$&)-
---	--	---	---	--

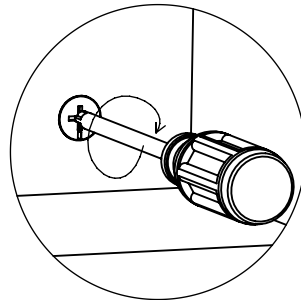
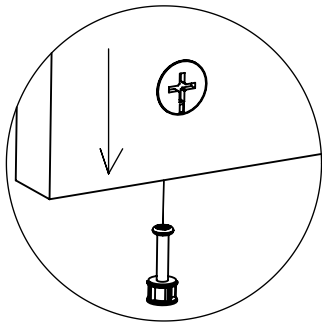
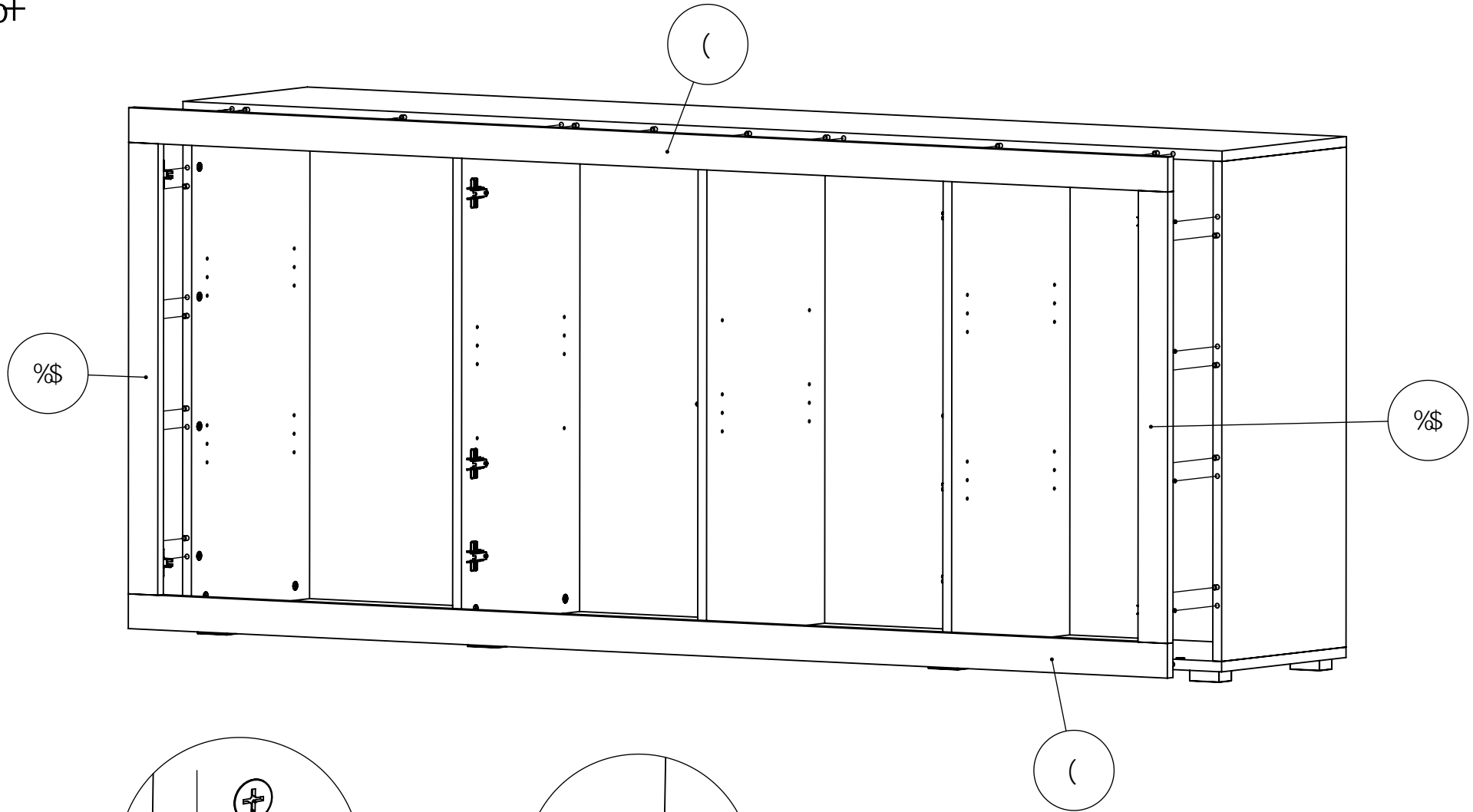


516



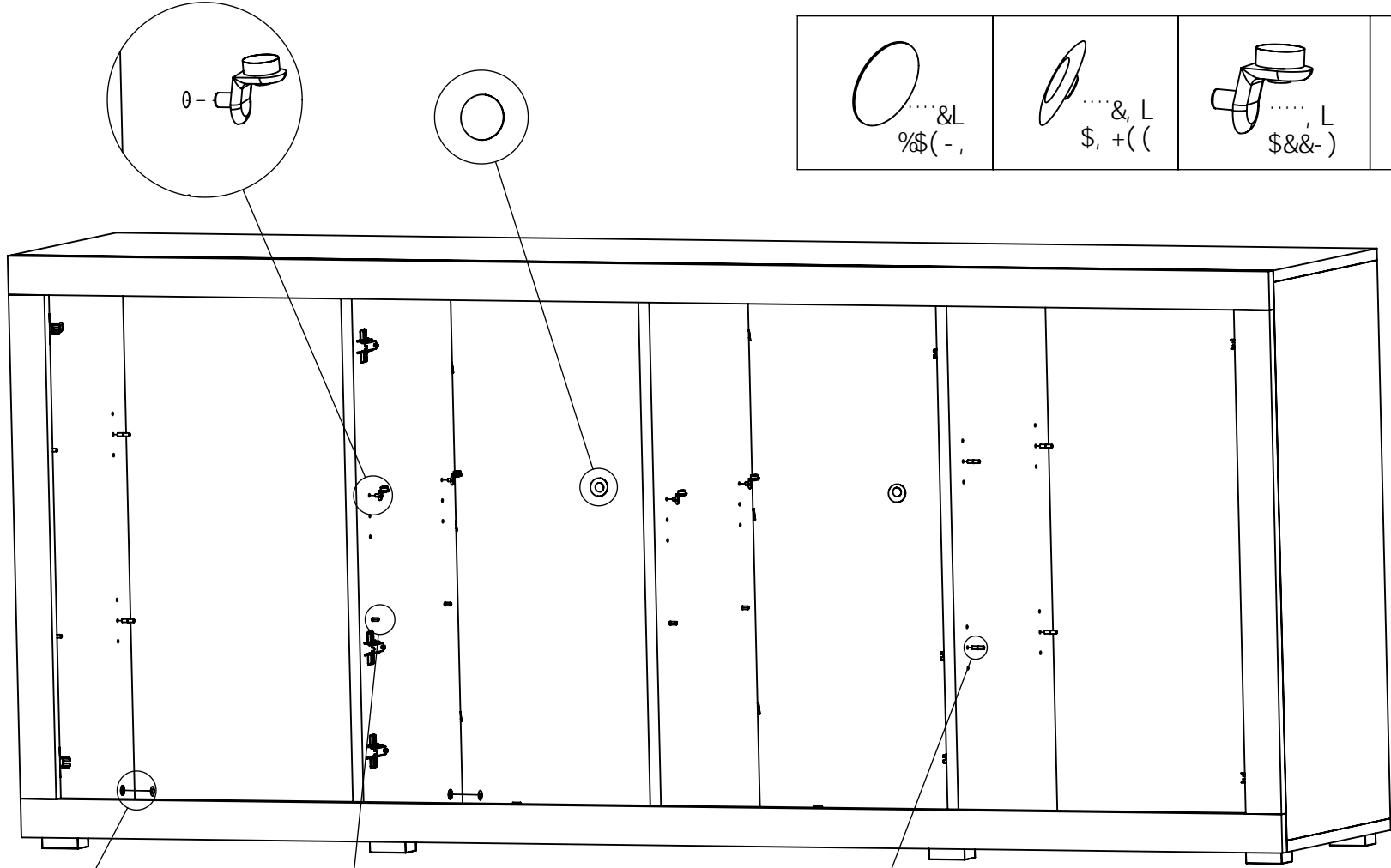
# DC FH5 ?CA C 85 &J F! &GH



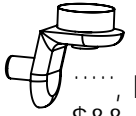
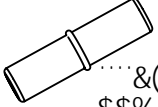
0/0+''

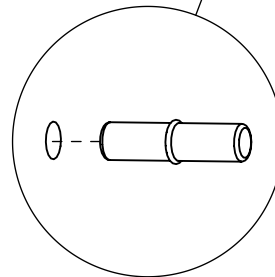
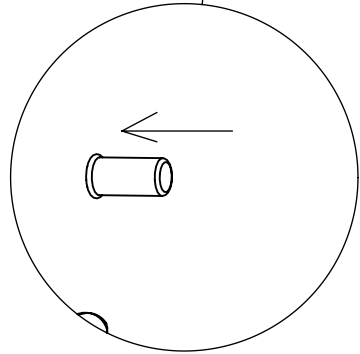
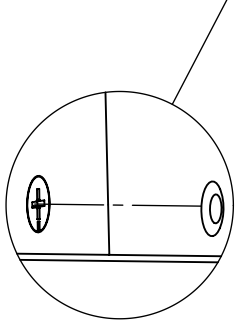


# DC FH5 ?CA C 85 &J F! &GH

1/2 "

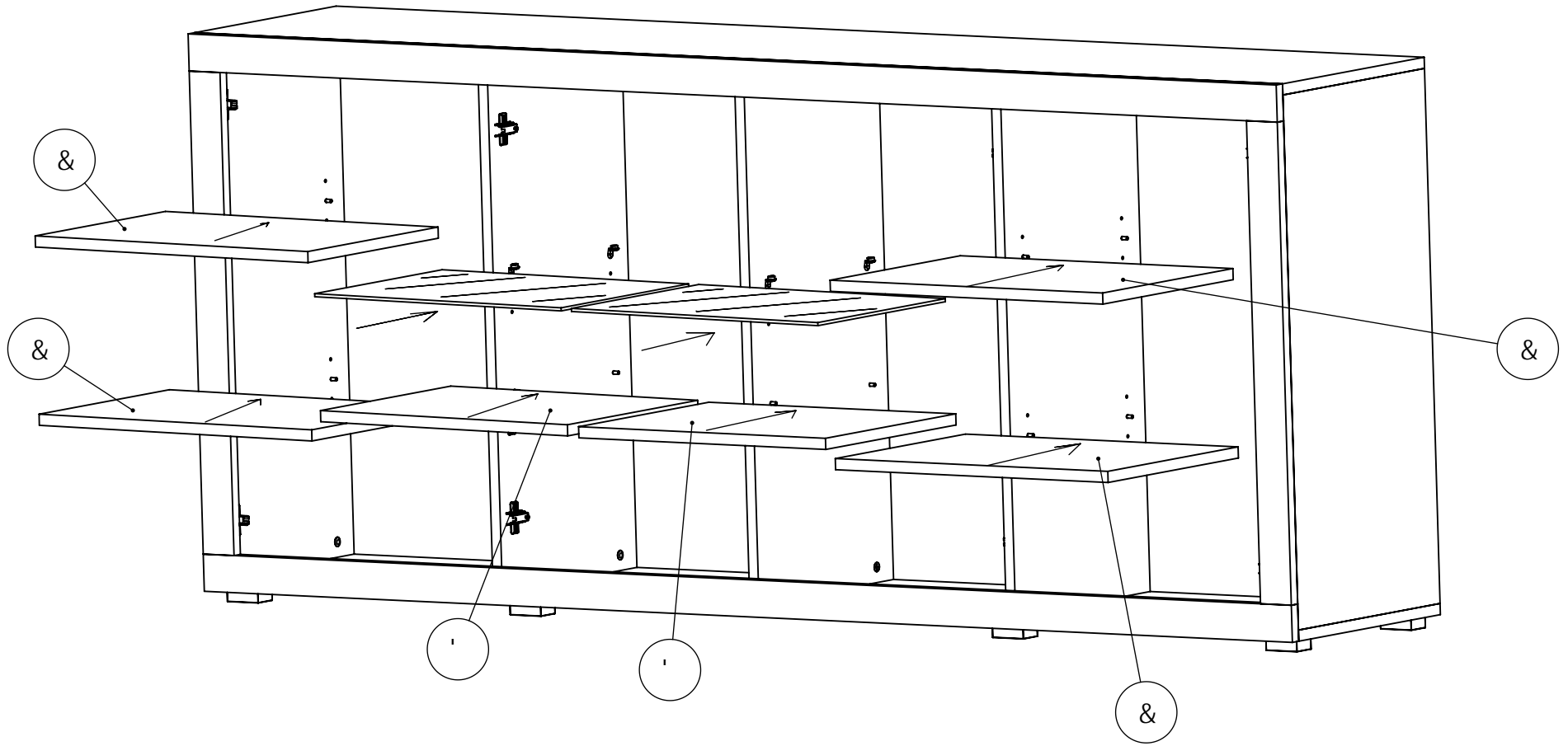


 .....&L %\$(-,	 .....& L \$, +((	 ....., L \$&&-)	 .....&(L \$\$% &
--	--	---	--



# DC FH5 ?CA C 85 ' & J F! & GH

%" "



# DC FH5 ' ?CA C 85 ' &J F! &GH

&\$"

