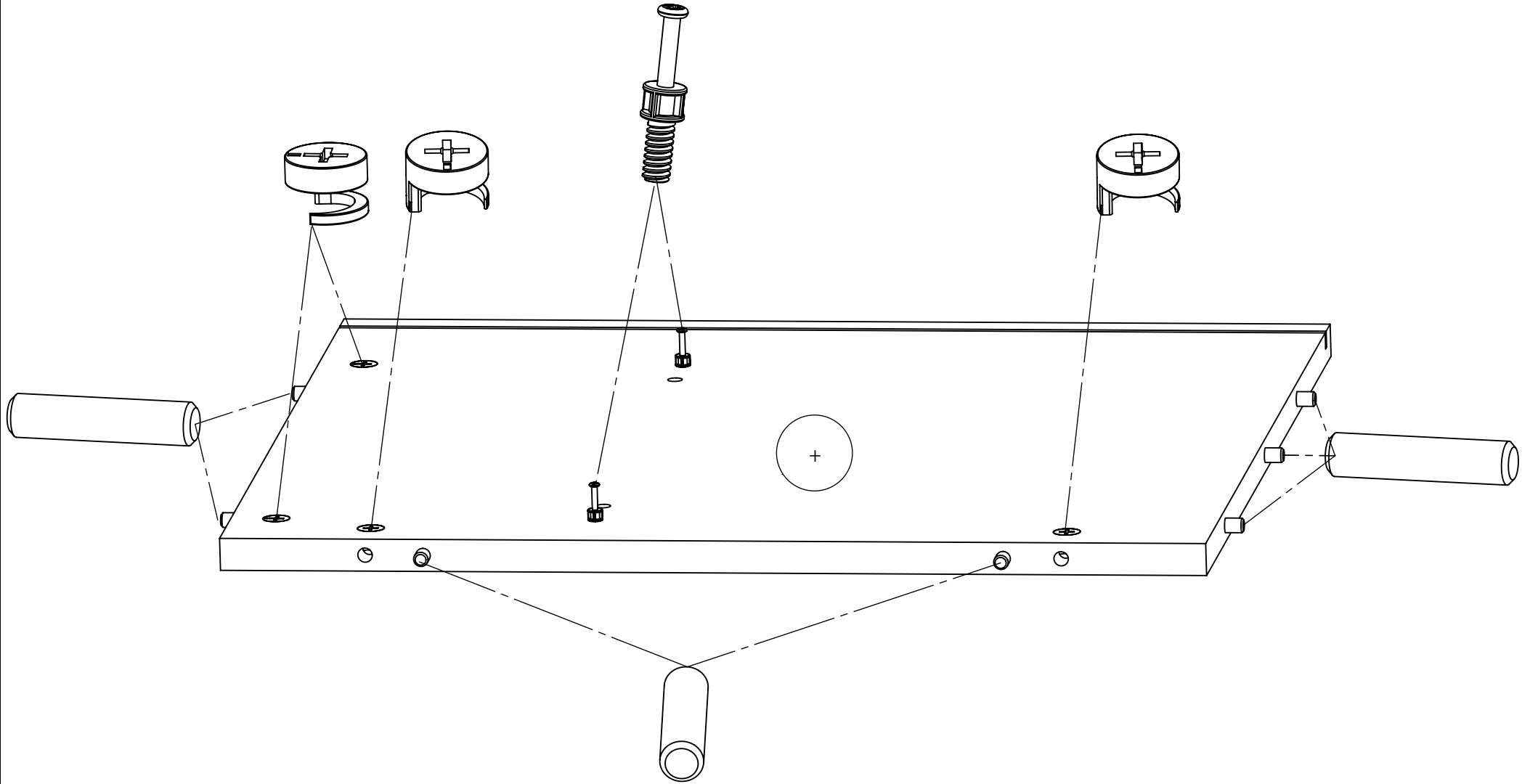
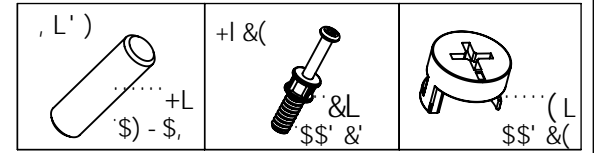


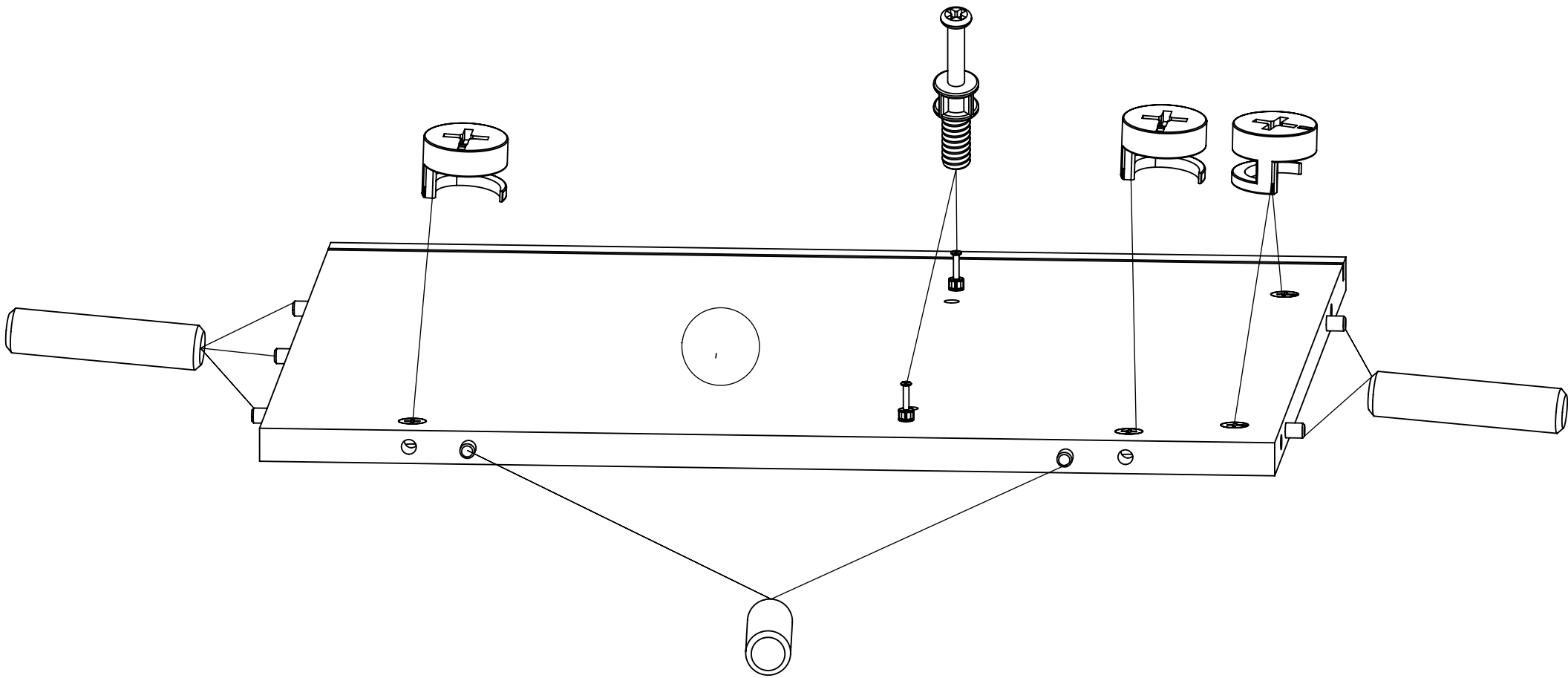
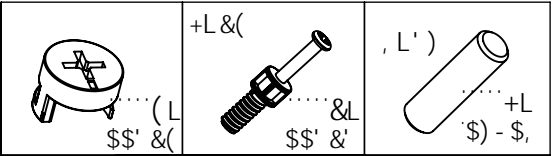
DC F15 H ?CA C 85 &@

%"

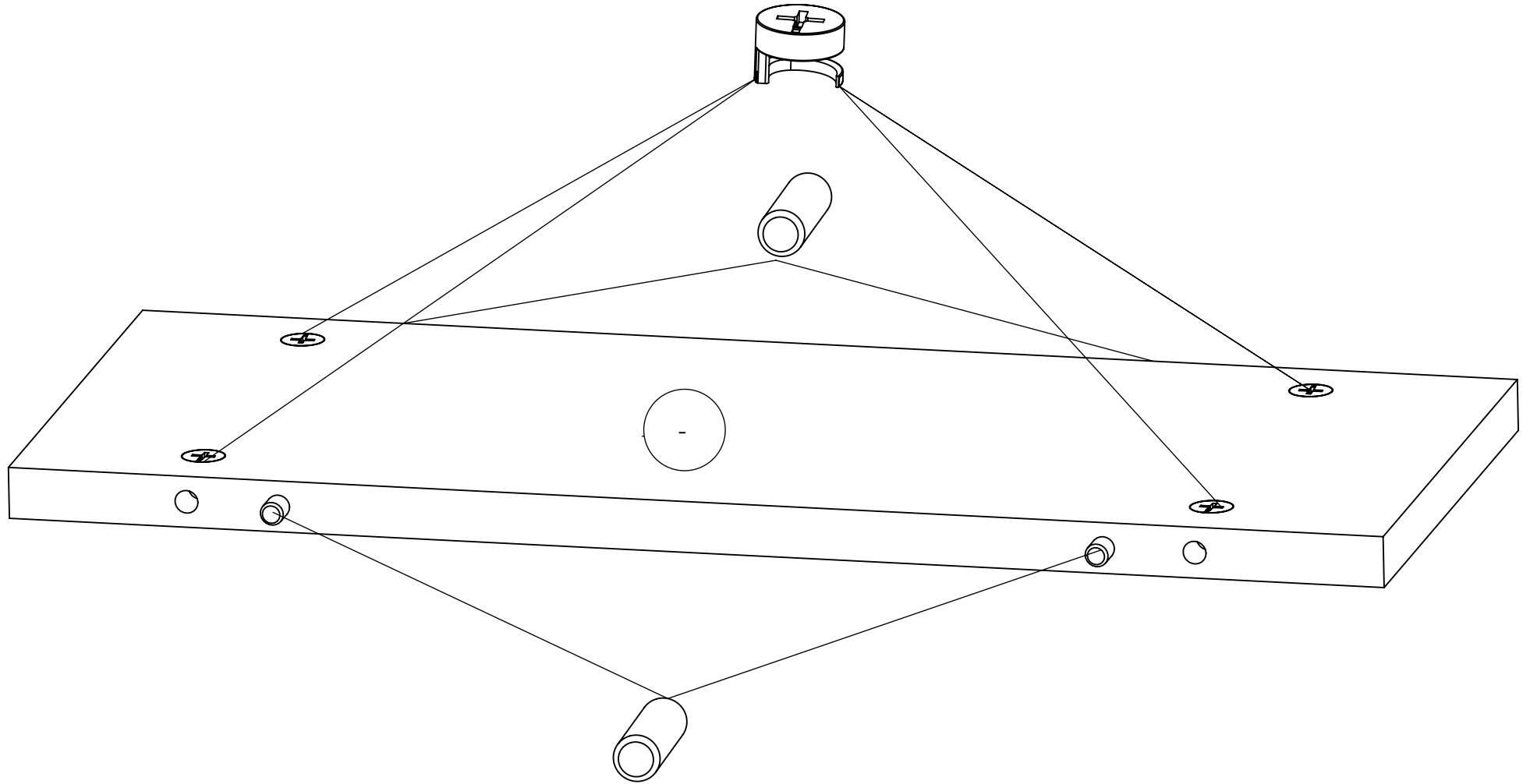
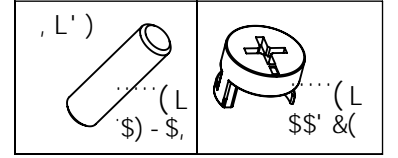


DC F15 'H' ?CA C 85 '&@

&"

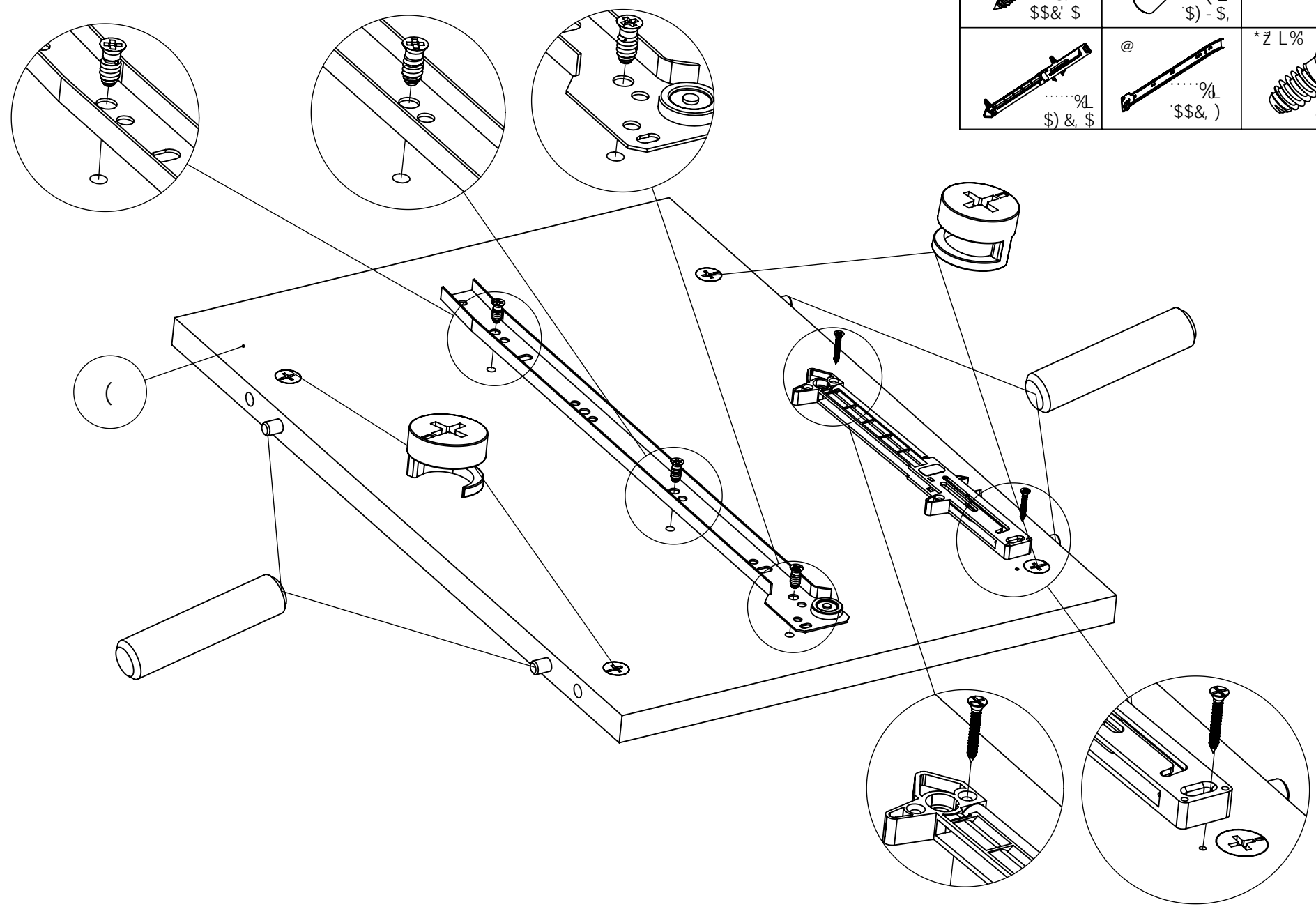



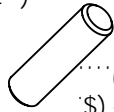


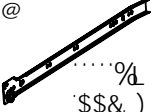
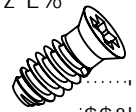
I II



DCFH5 H ?CA C85 &@

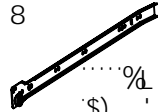


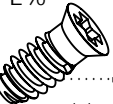
("

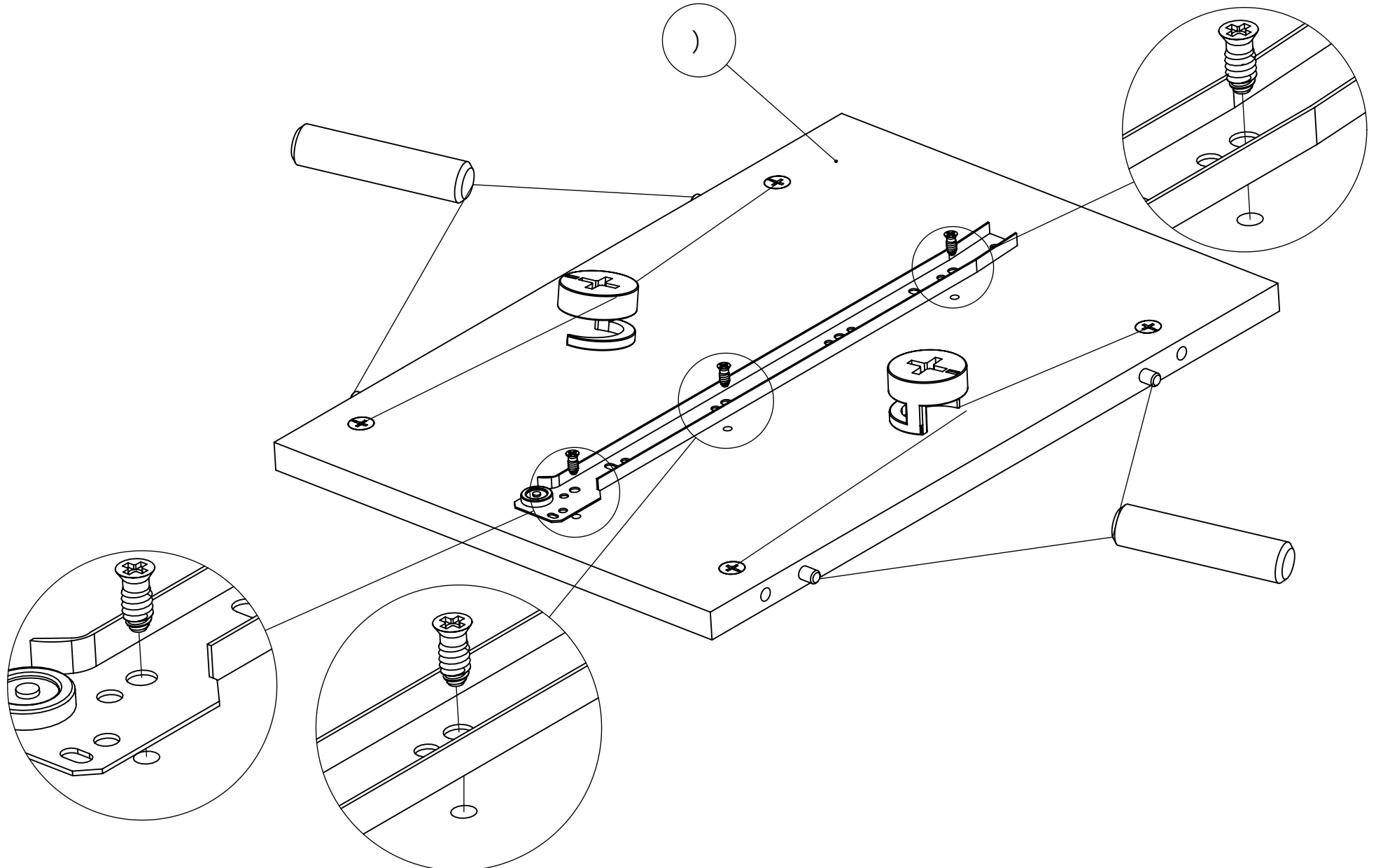


' L&\$  &L \$\$\$' \$, L' (L \$) - \$,	(L \$\$\$' &(
%L \$) &, \$	@ %L \$\$\$&)	*Z L%  L \$\$\$&' -

DCFH5 H ?CA C 85 &@

) "

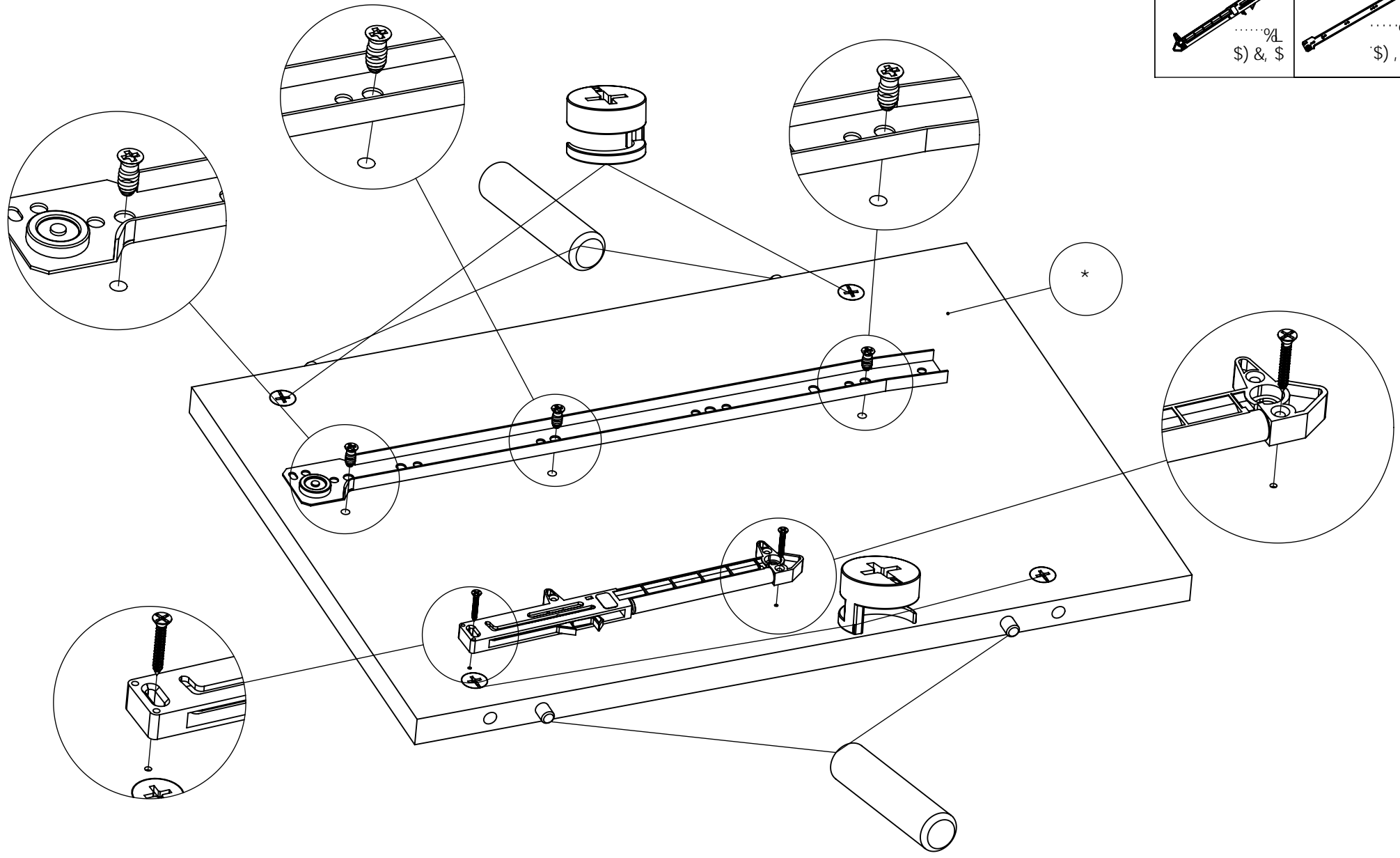
8  % \$), , ' "	(L \$\$' &(, L') (L \$) - \$,	*Z L%  L \$\$&' -
---	--	---	---



DCFH5 H ?CA C85 &@

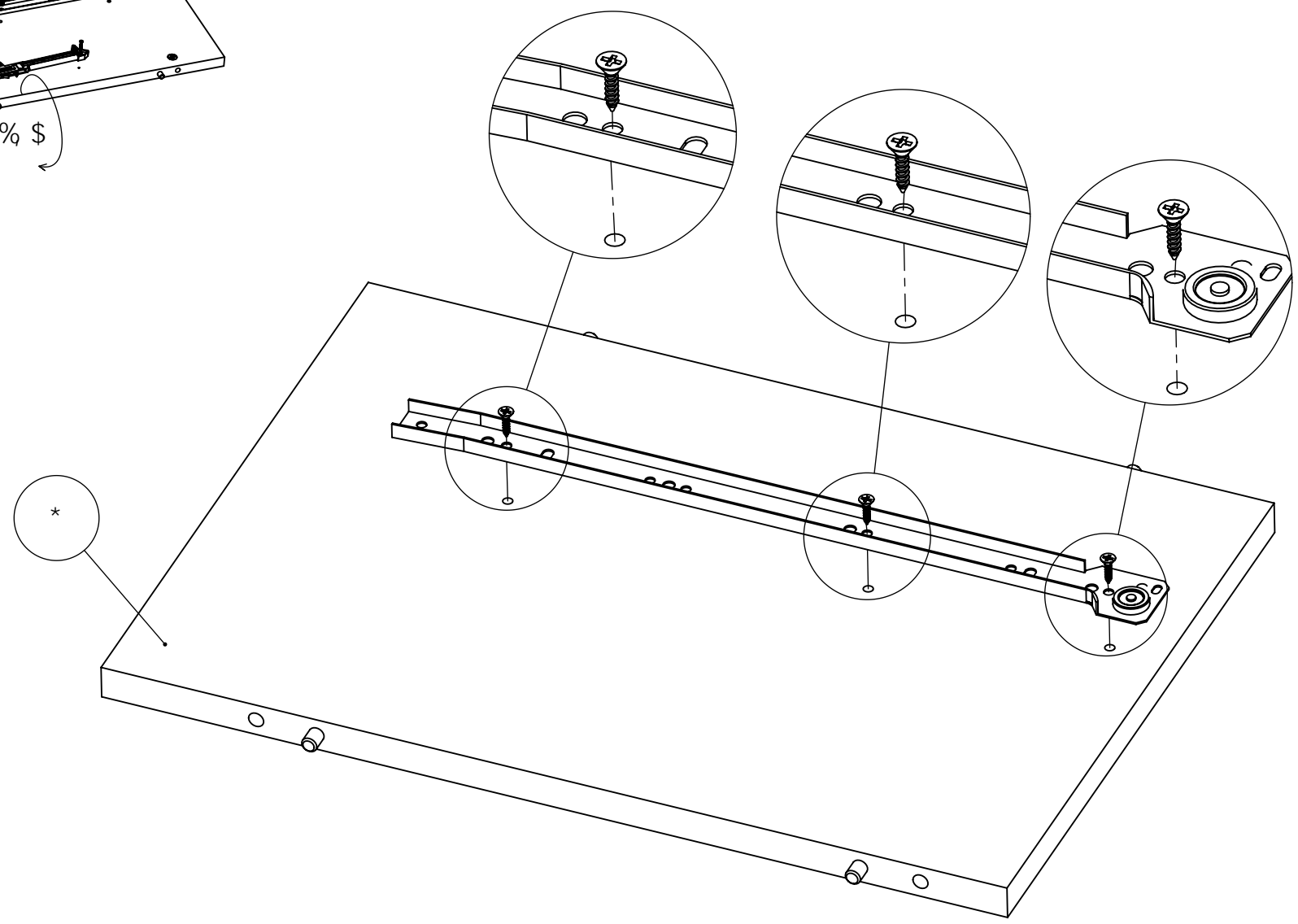
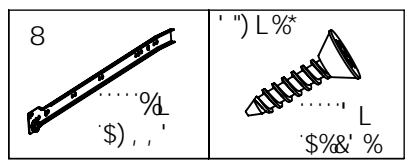
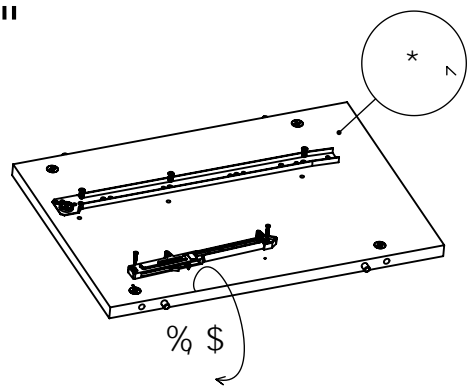
* II

' l & \$ & L \$\$\$ \$	(L) \$\$\$ & (, L') (L \$) - \$,	* Z L % L \$\$\$ & -
	 % L \$) & \$	@ % L \$) , , '



DCFH5 H ?CA C 85 &@

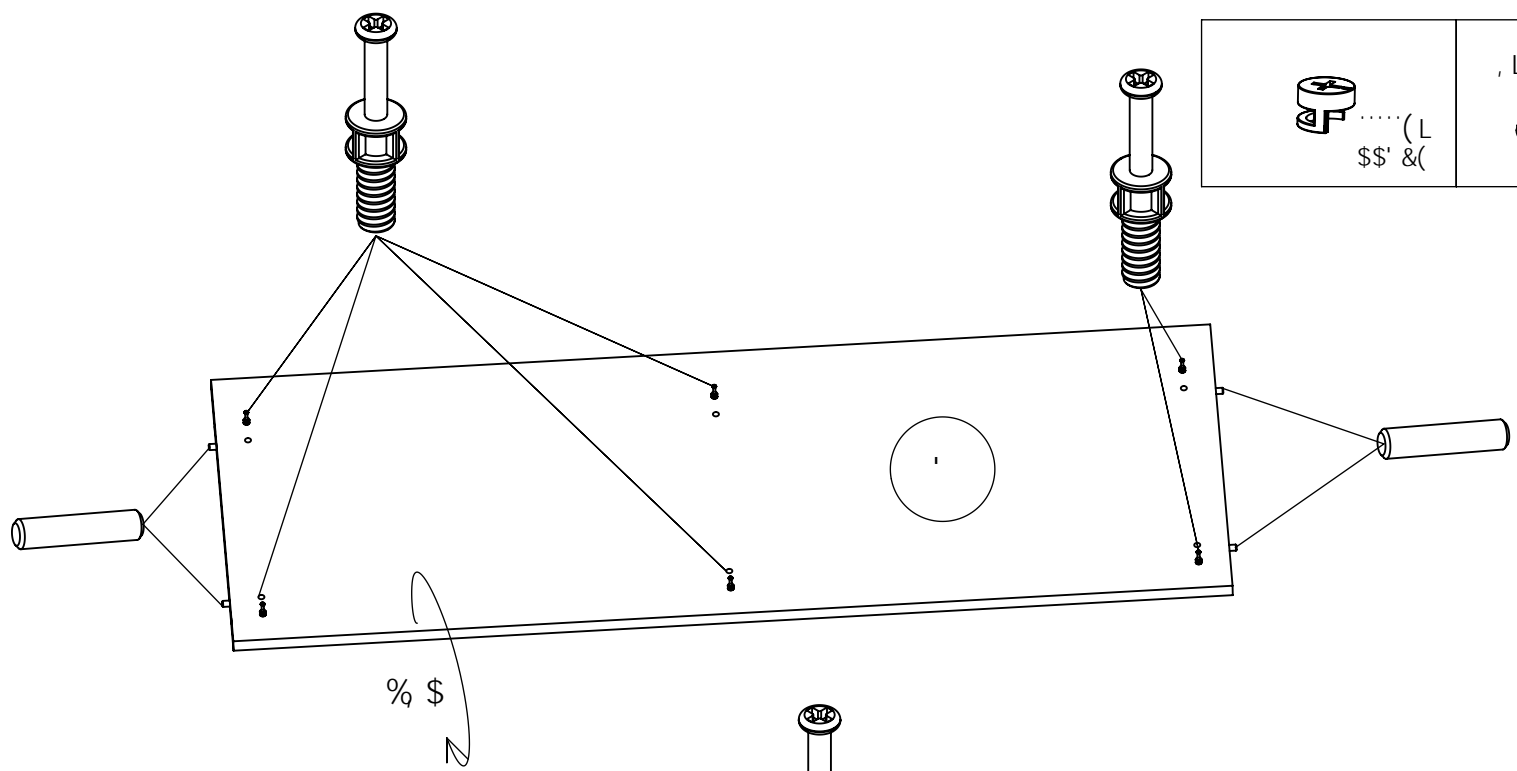
+






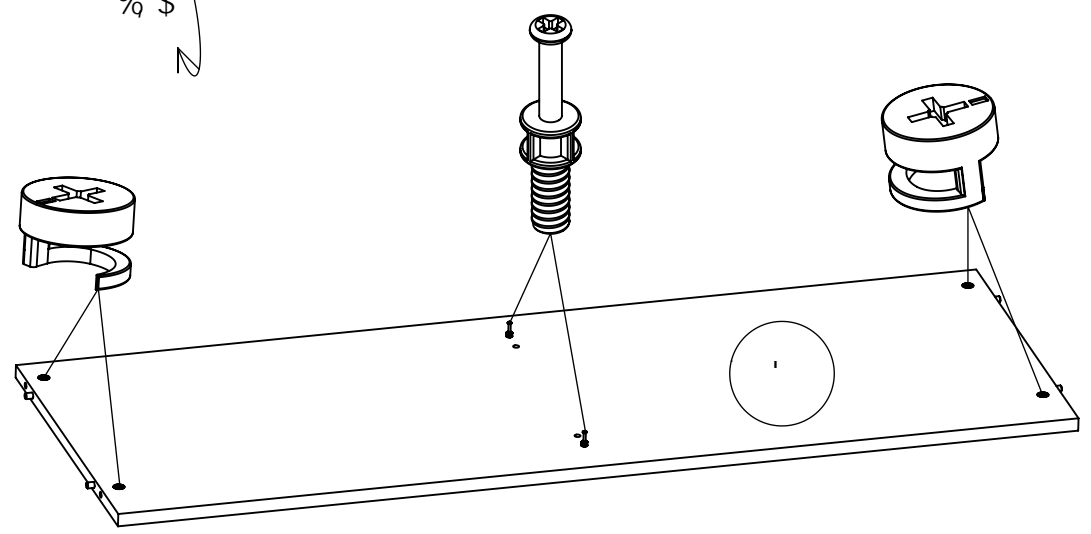
DCFH5 H ?CA C85 &@

11

1

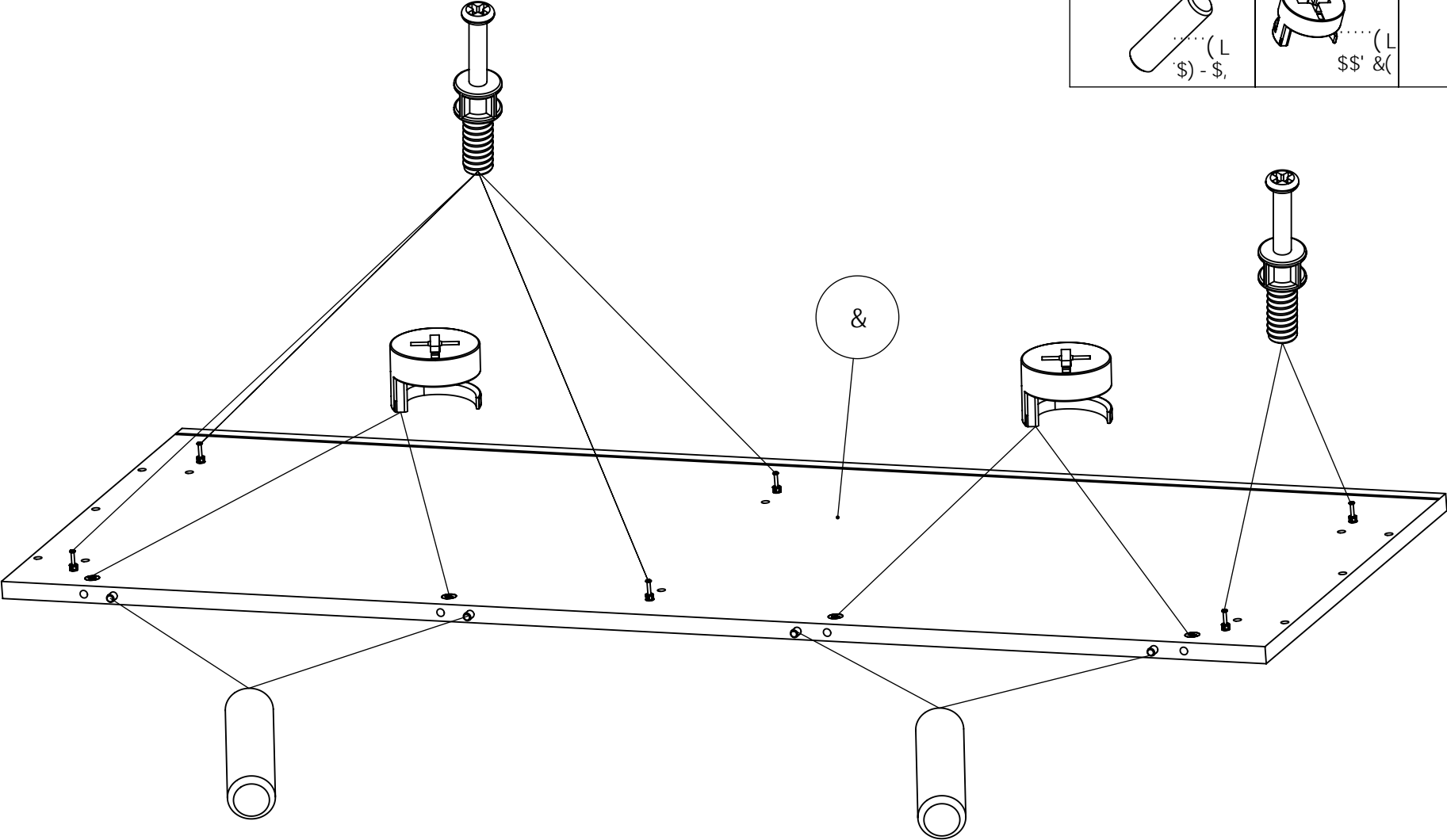
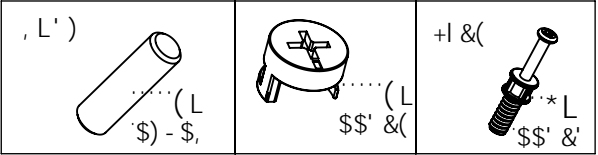


(L \$\$' &((L \$)-\$,	+1 &(L \$\$' &'
--	---	---



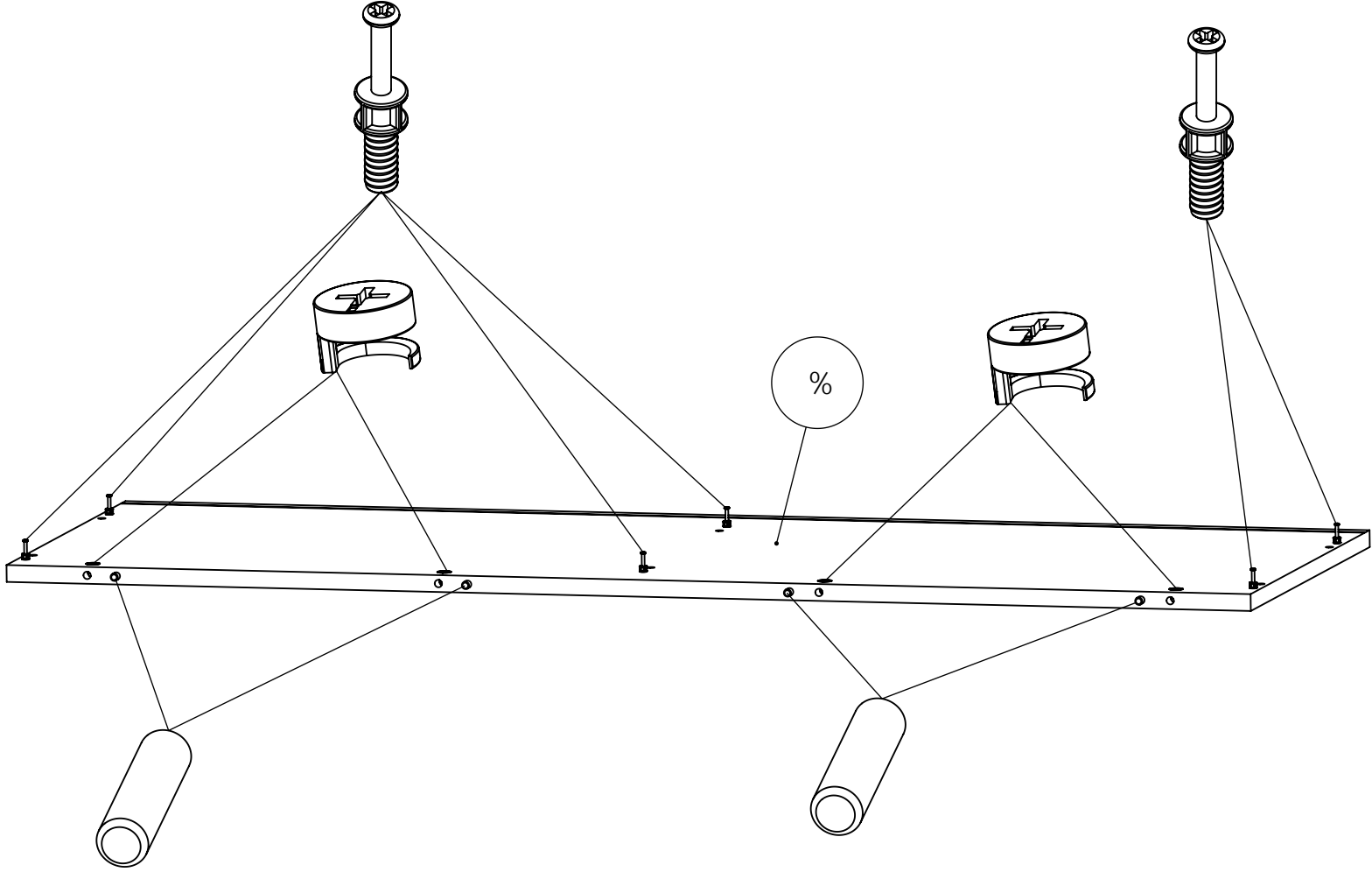
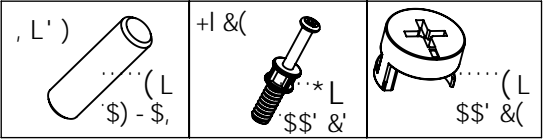
DC FH5 H ?CA C 85 &@

- "



DC FH5 'H' ?CA C 85 '&@

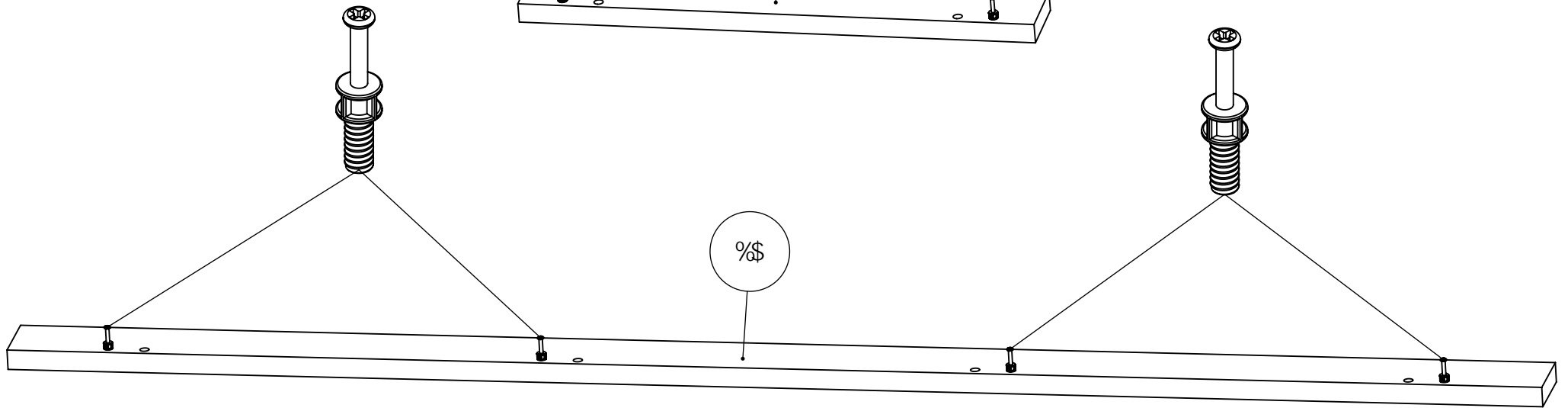
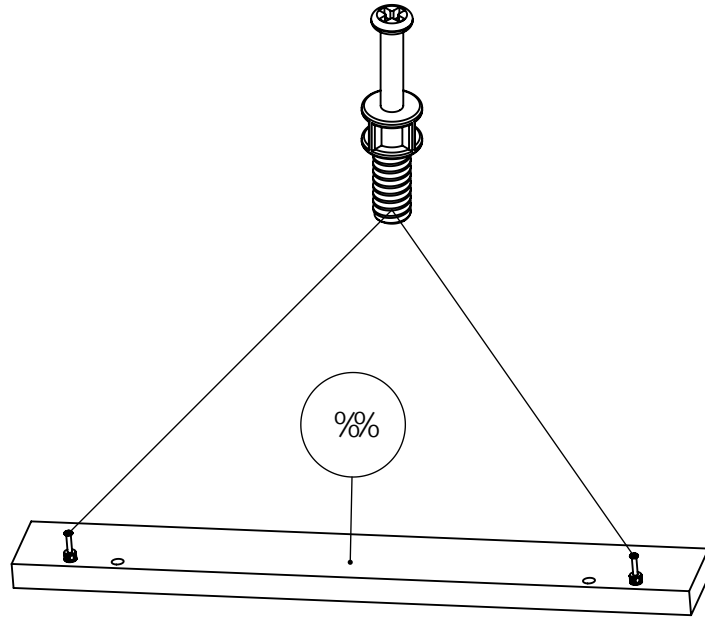
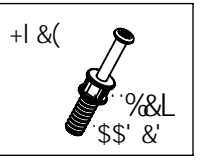
%"\$"



DC FH5 H ?CA C 85 &@

0/0/0"

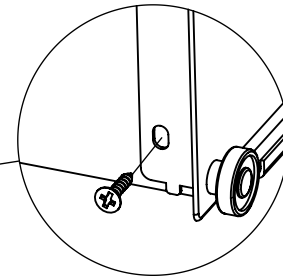
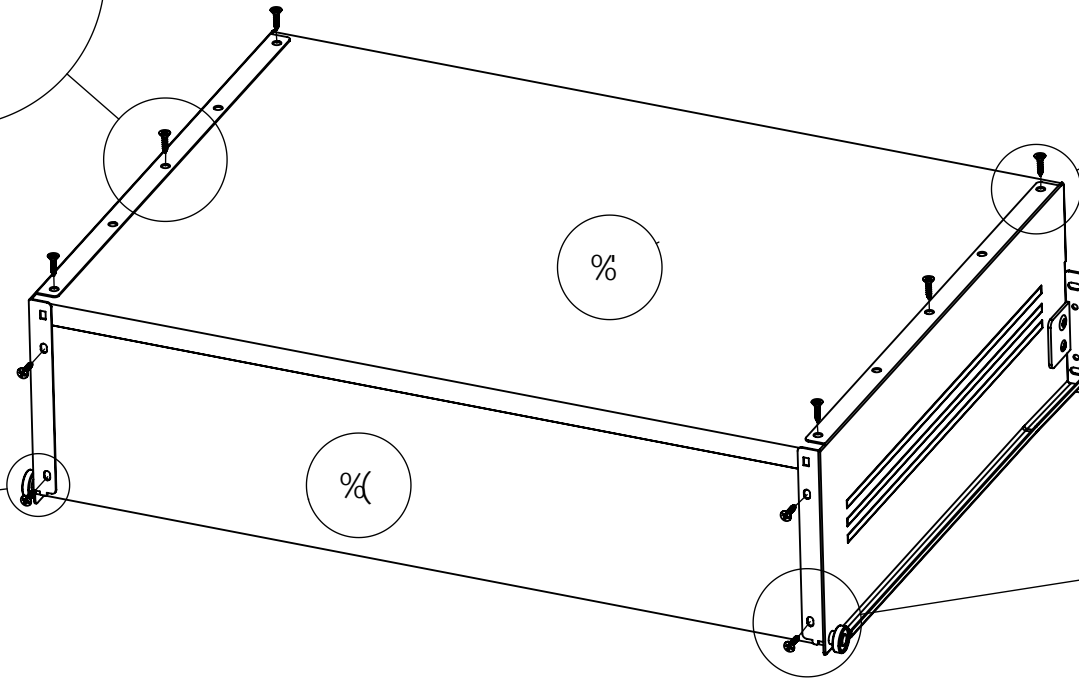
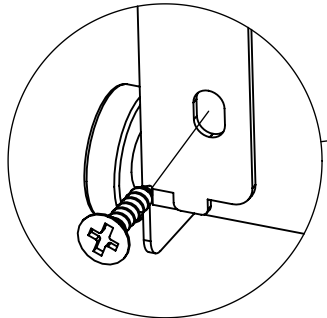
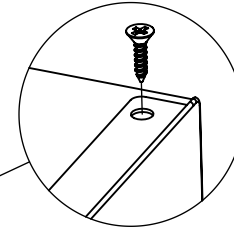
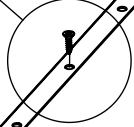
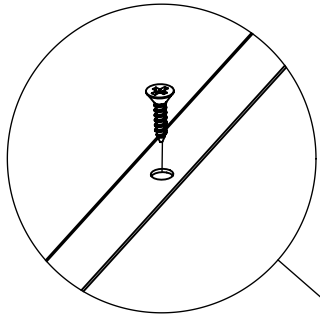
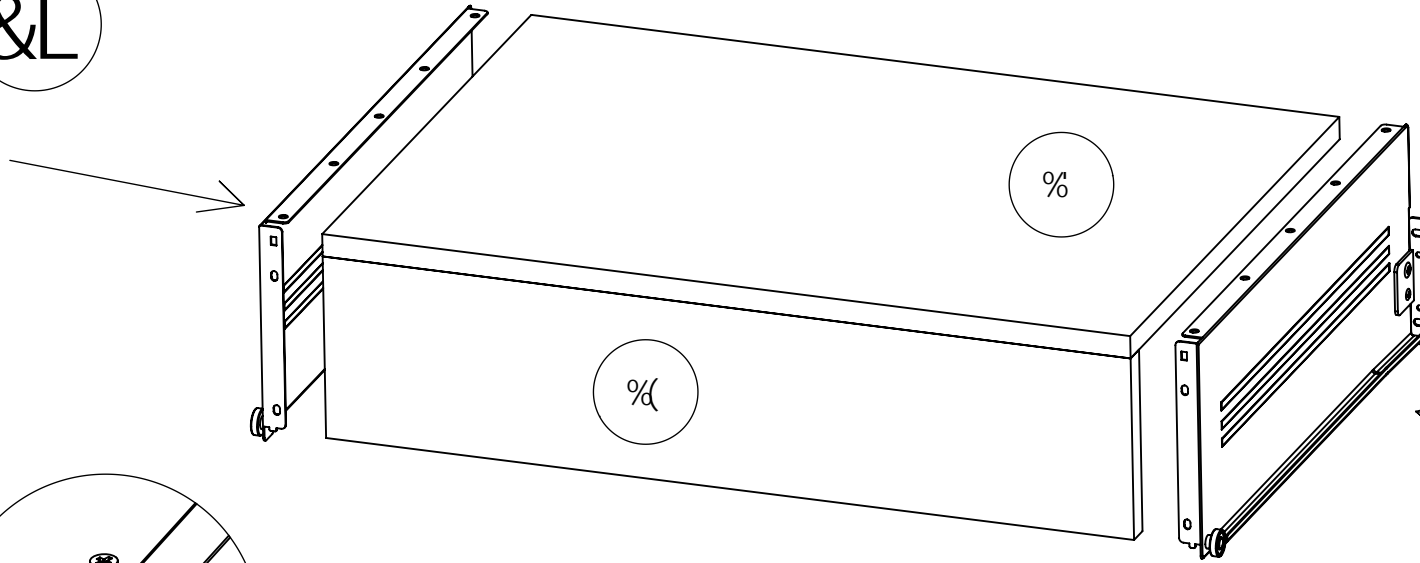
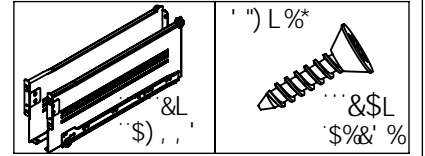
&L



DCFH5 H ?CA C 85 &@

%&"

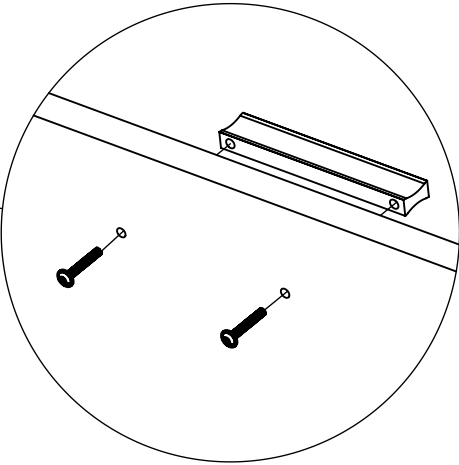
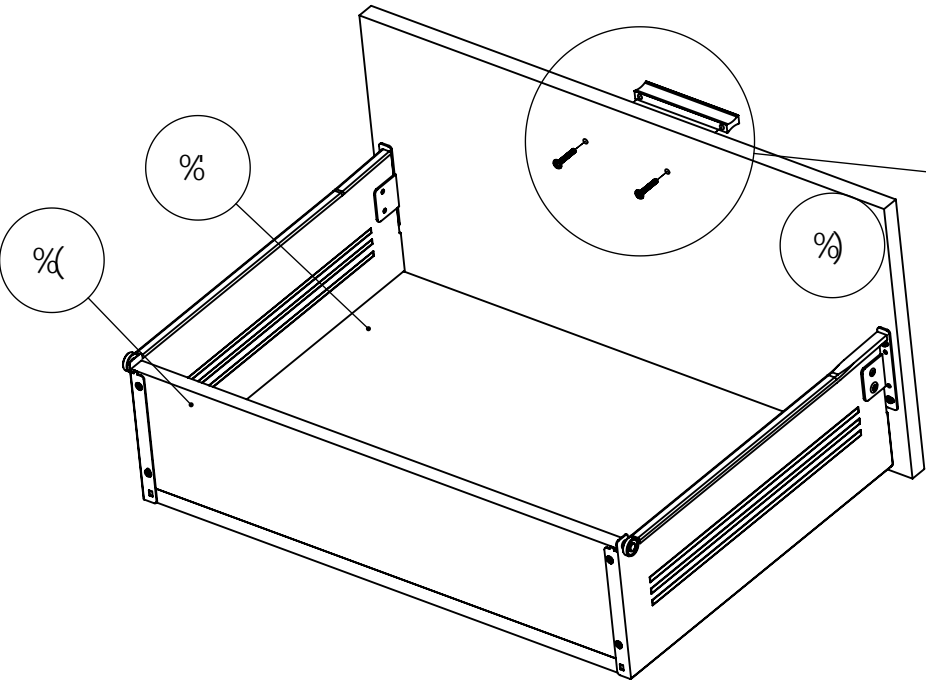
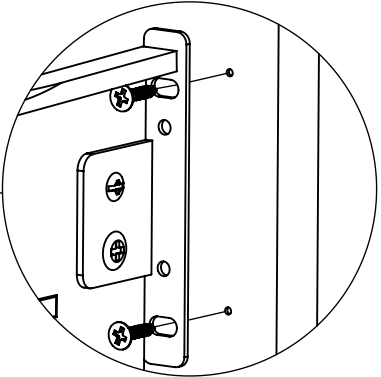
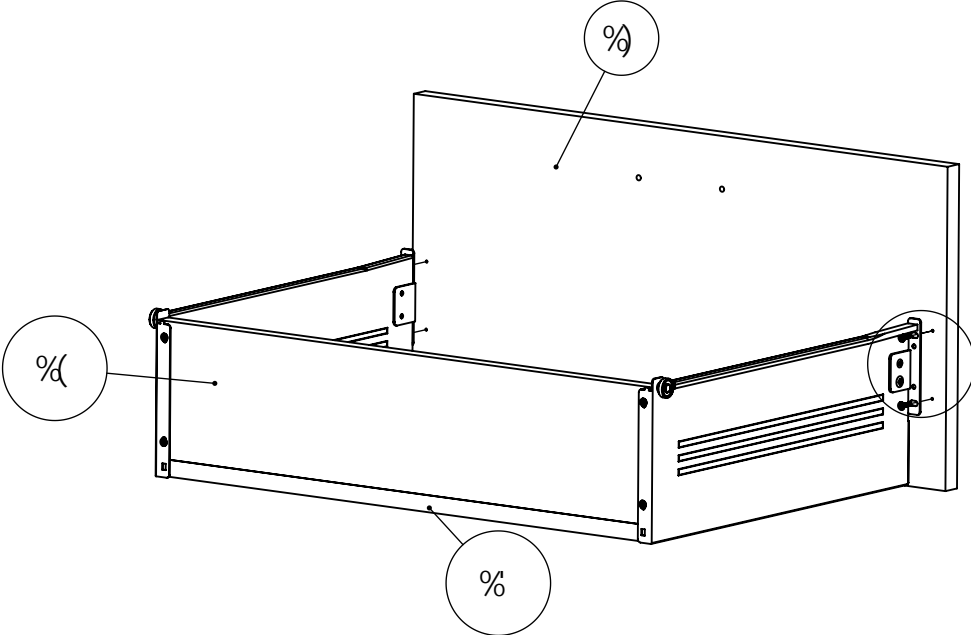
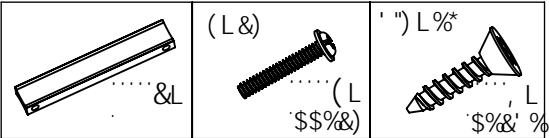
&L



DC FH5 HJ ?CA C85 &@

% "

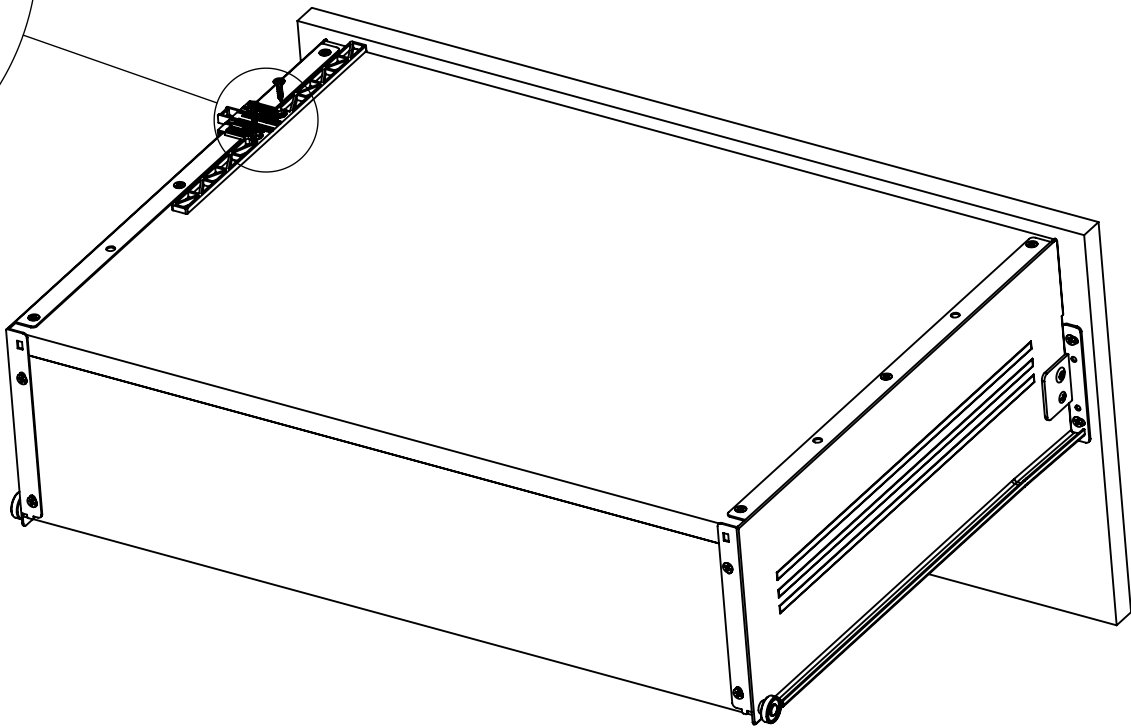
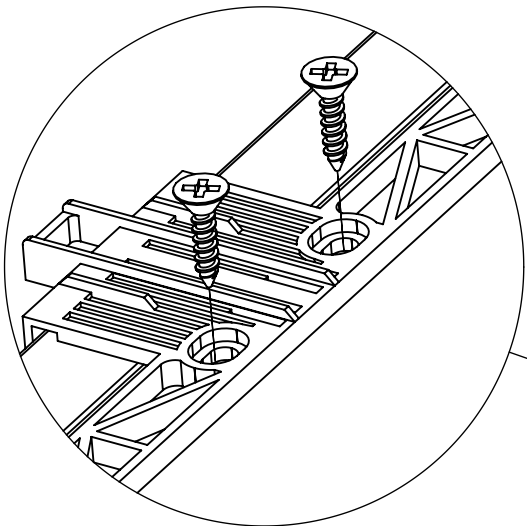
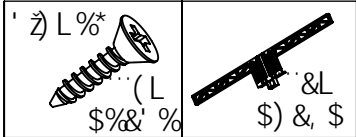
&L



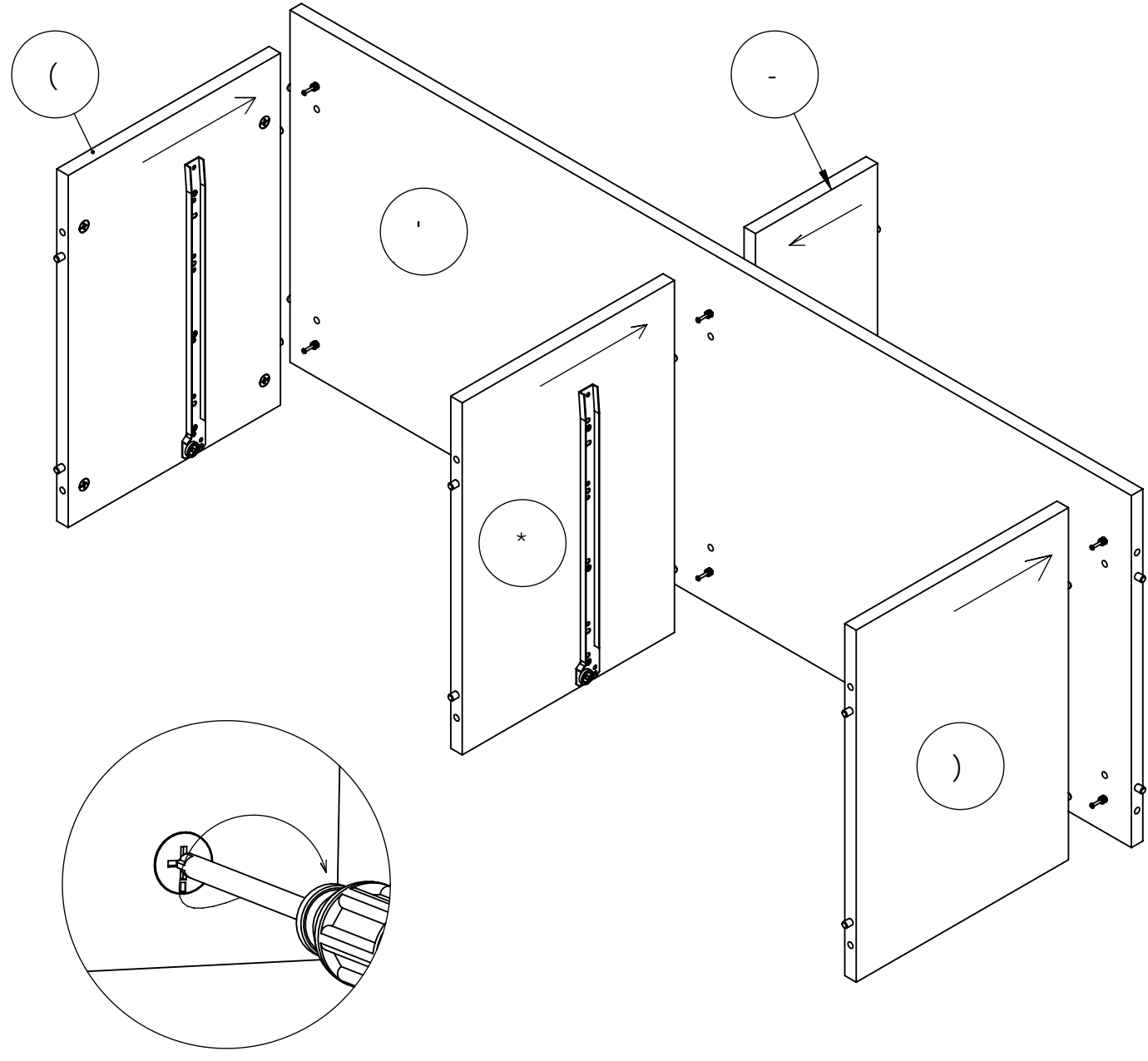
DC FH5 'H' ?CA C 85 '&@

% "

&L

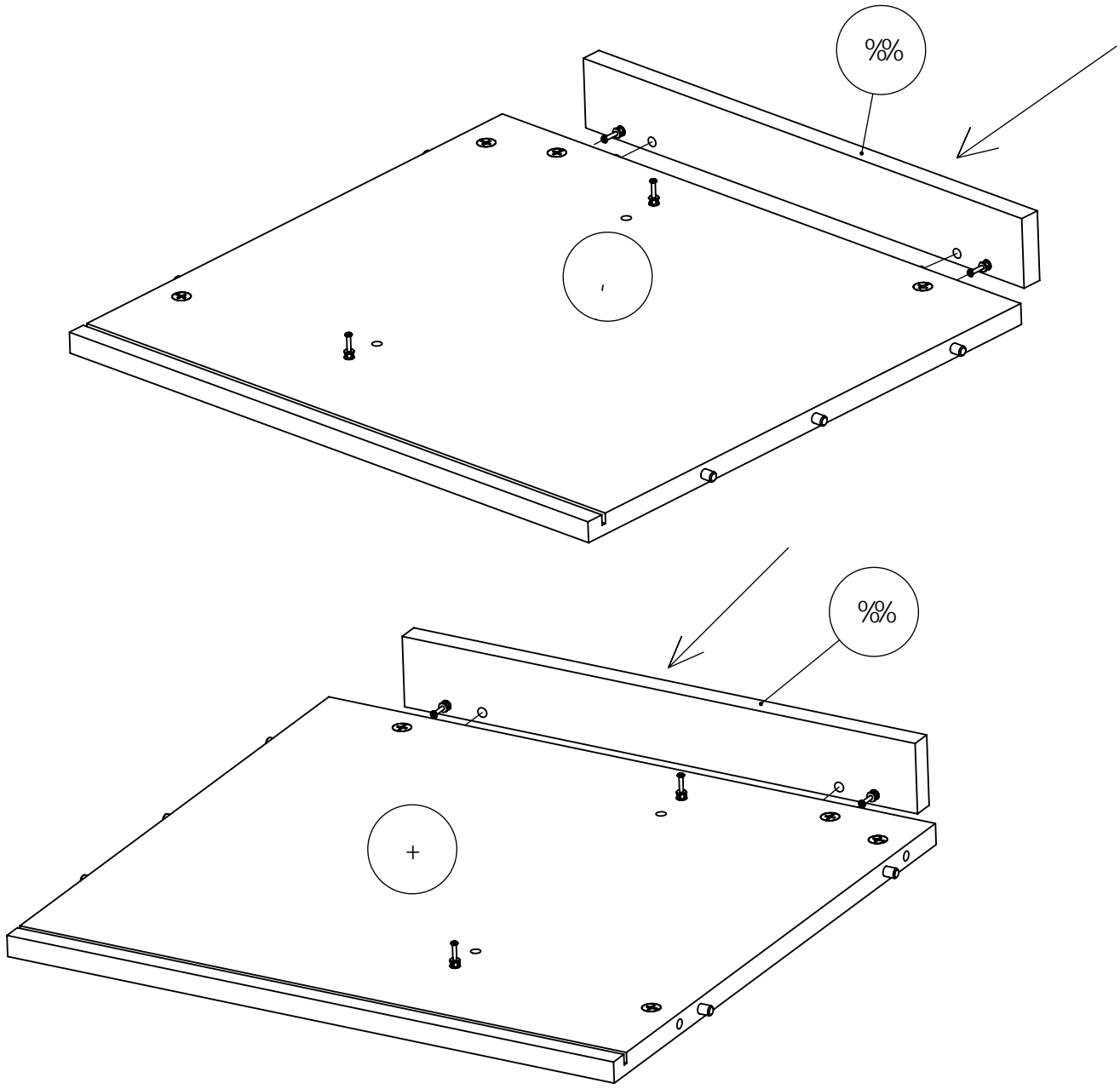
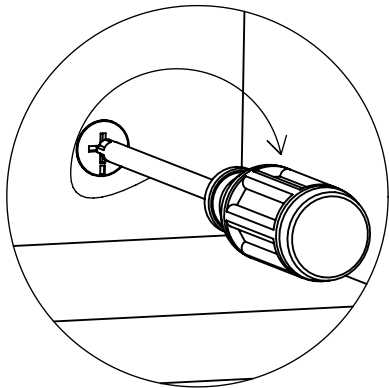
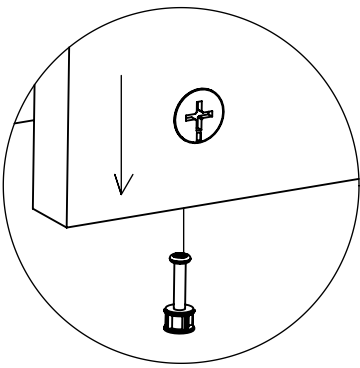


0/d "



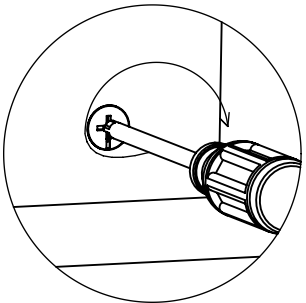
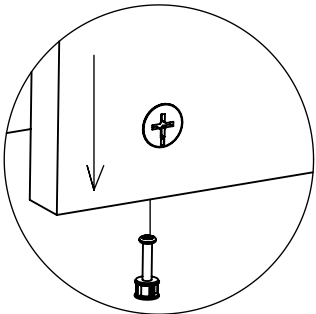
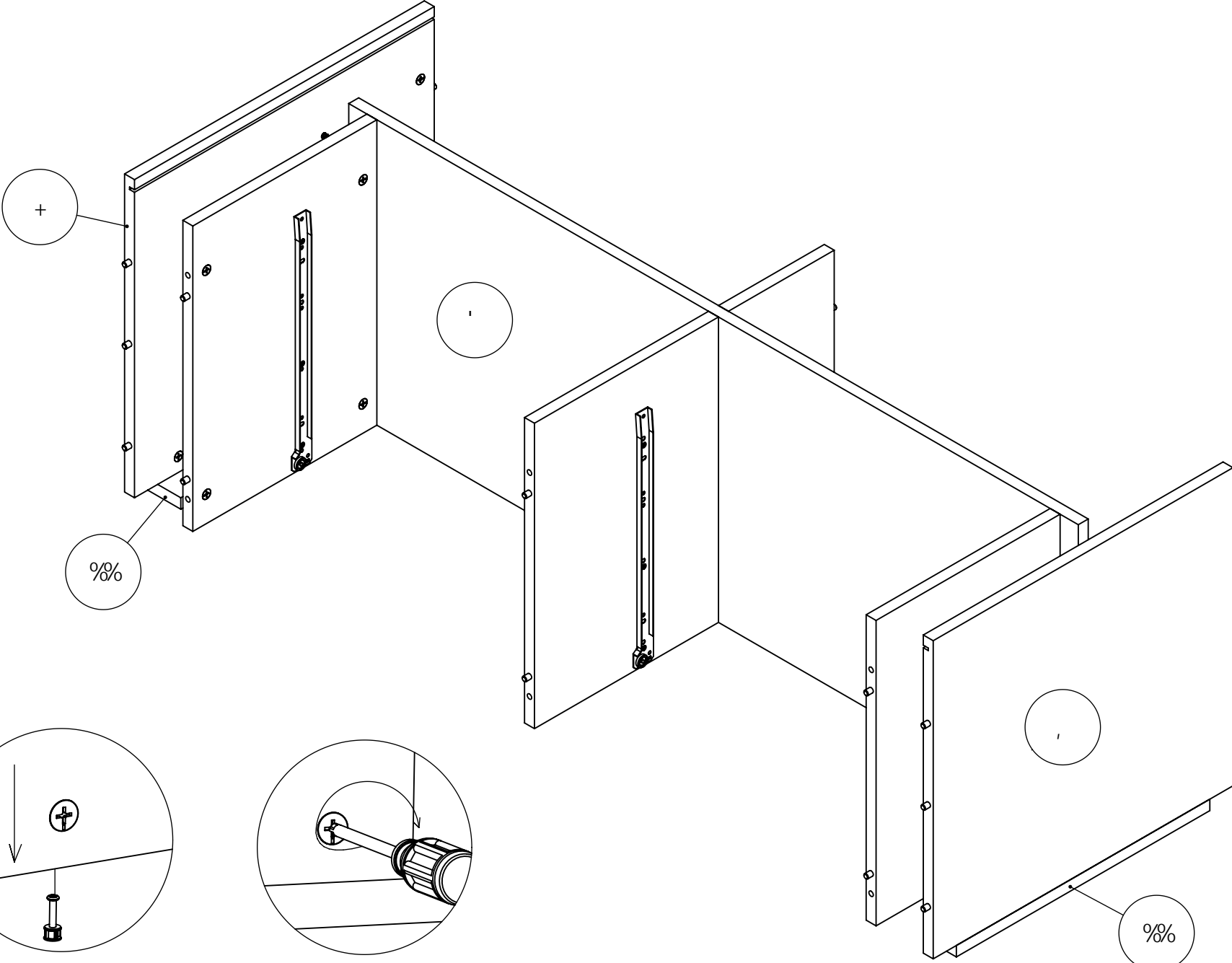
DC FH5 'HJ' ?CA C 85 '&@

%) "



DC FH5 'HJ' ?CA C 85 '&@

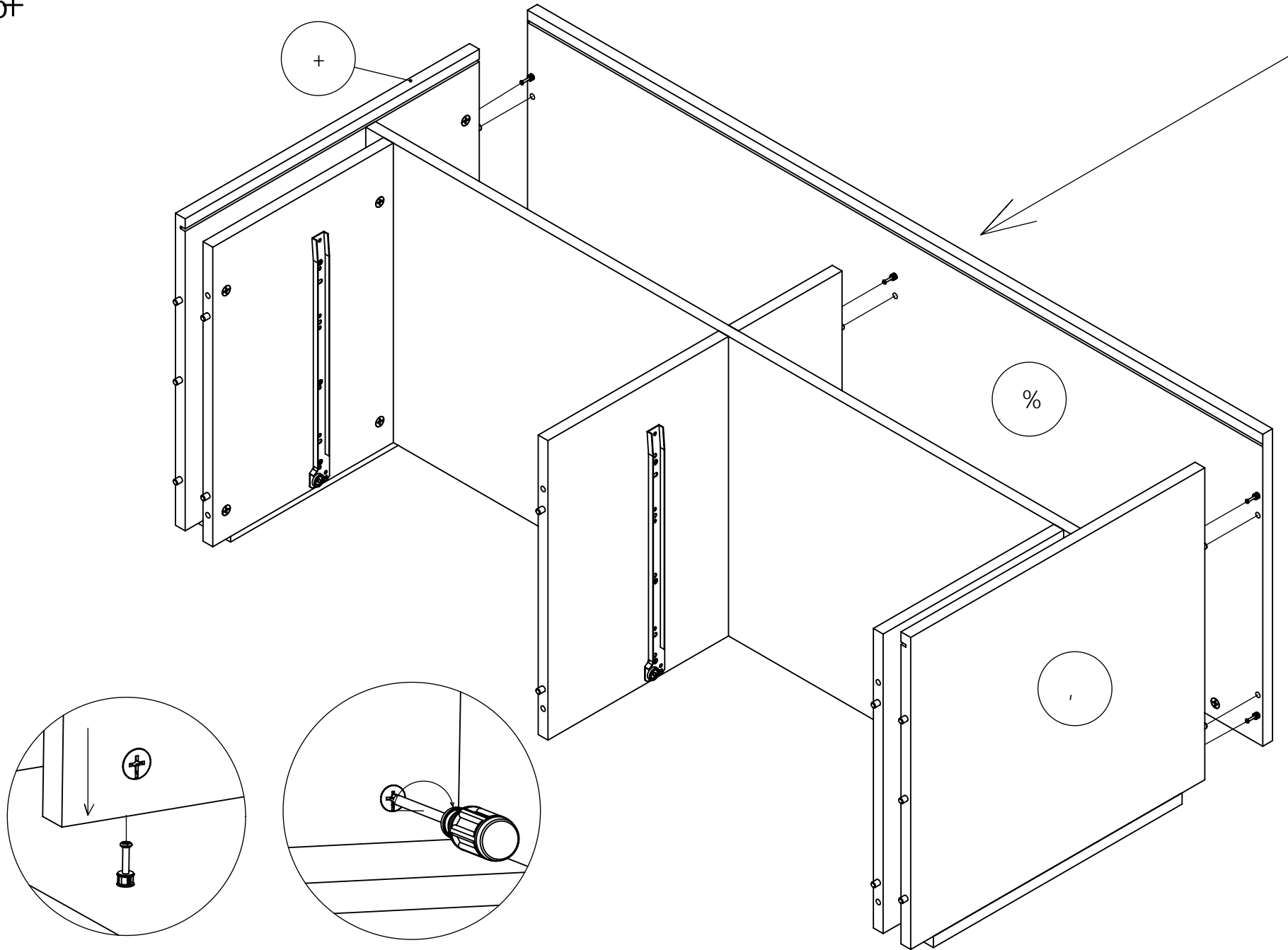
%"* "



%%

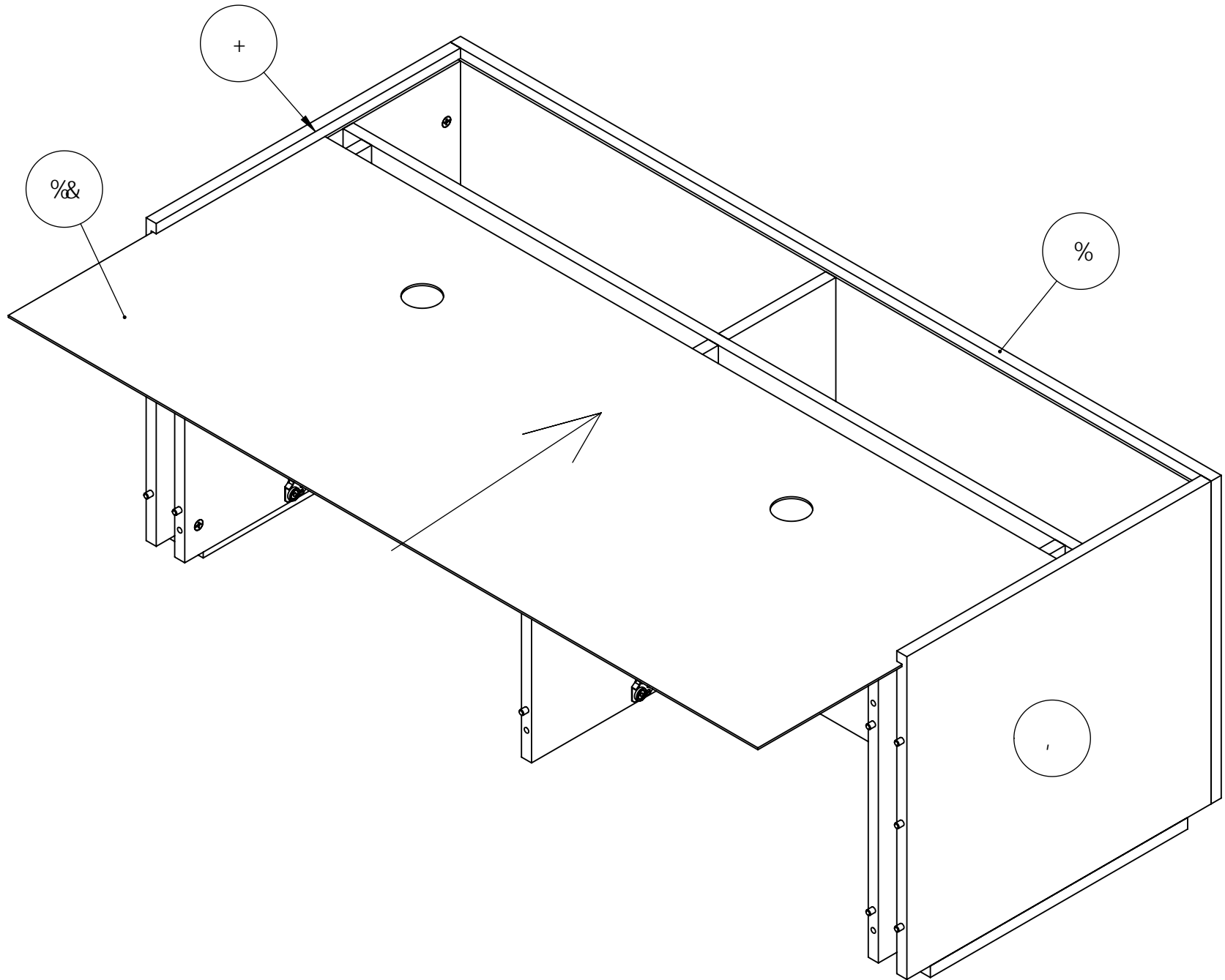
DCFH5 'H' ?CA C85 '&@

0/0+



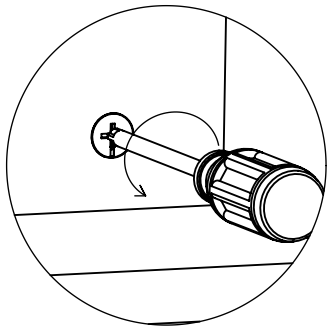
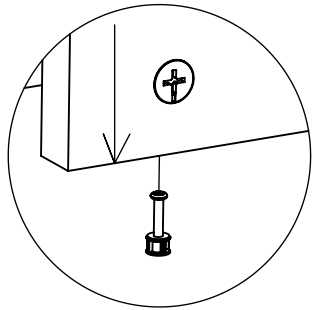
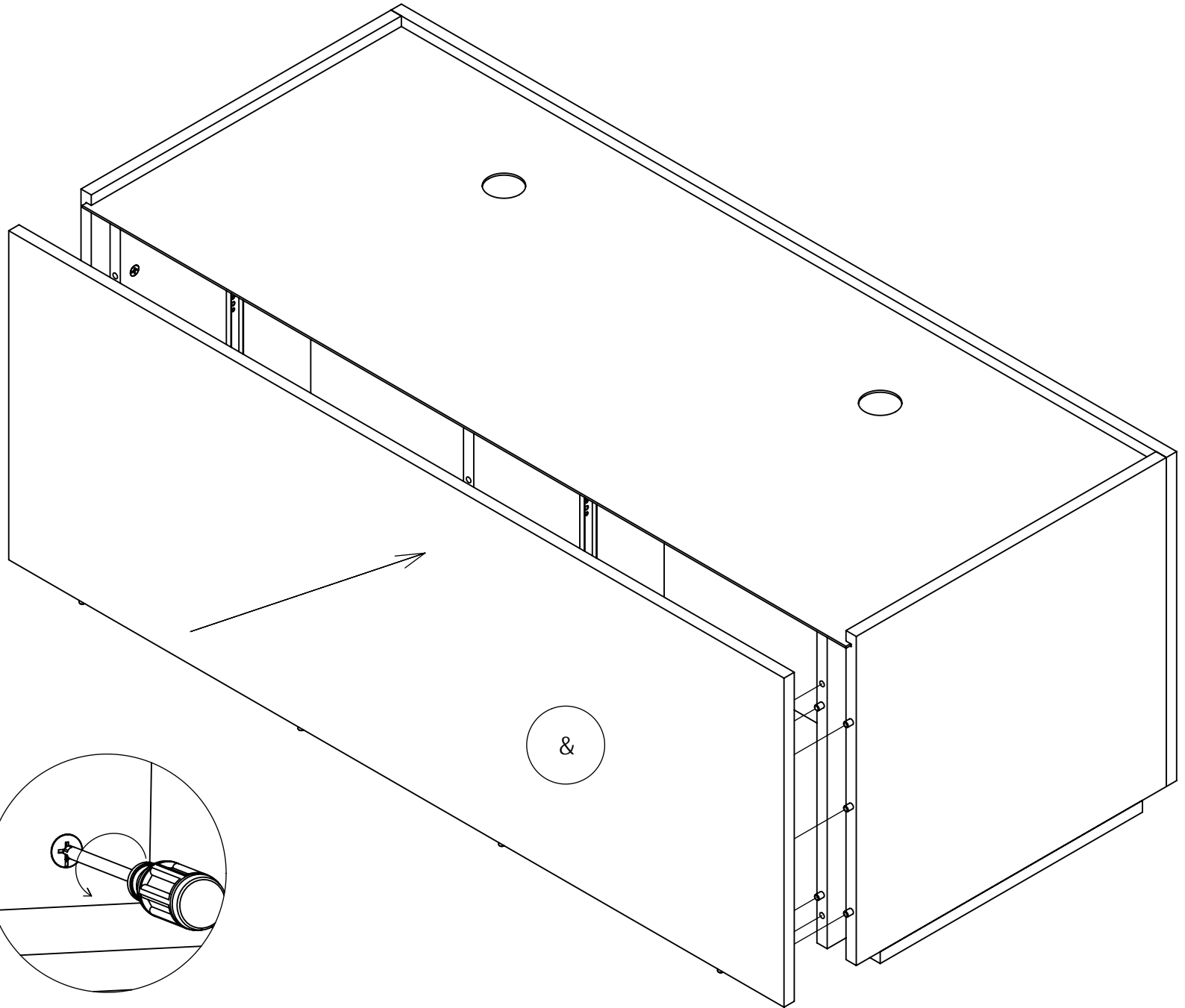
DCFH5 'H' ?CA C85 '&@

%q "



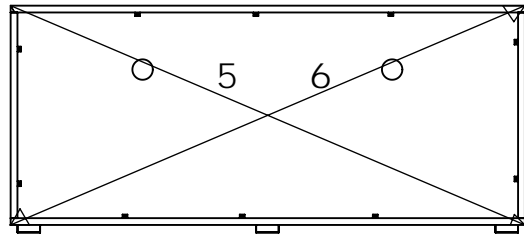
DCFH5 'H' ?CA C 85 '&@

1/2"

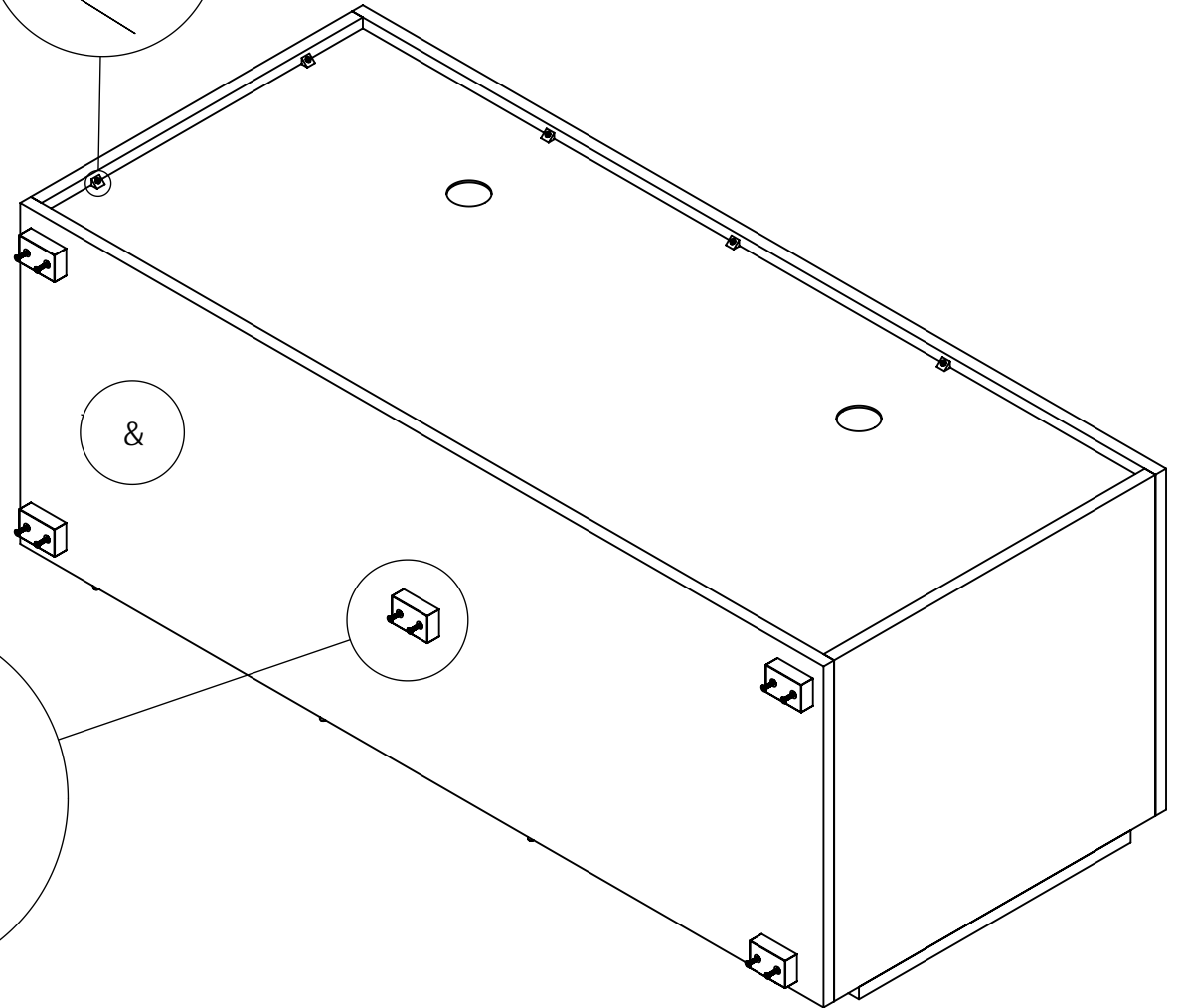
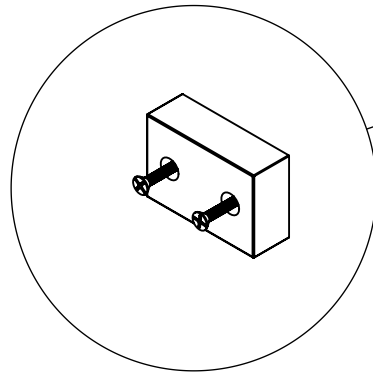
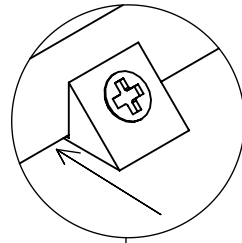
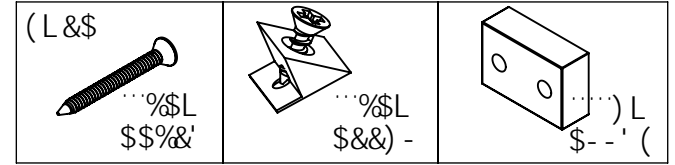


DC FH5 H ?CA C85 &@

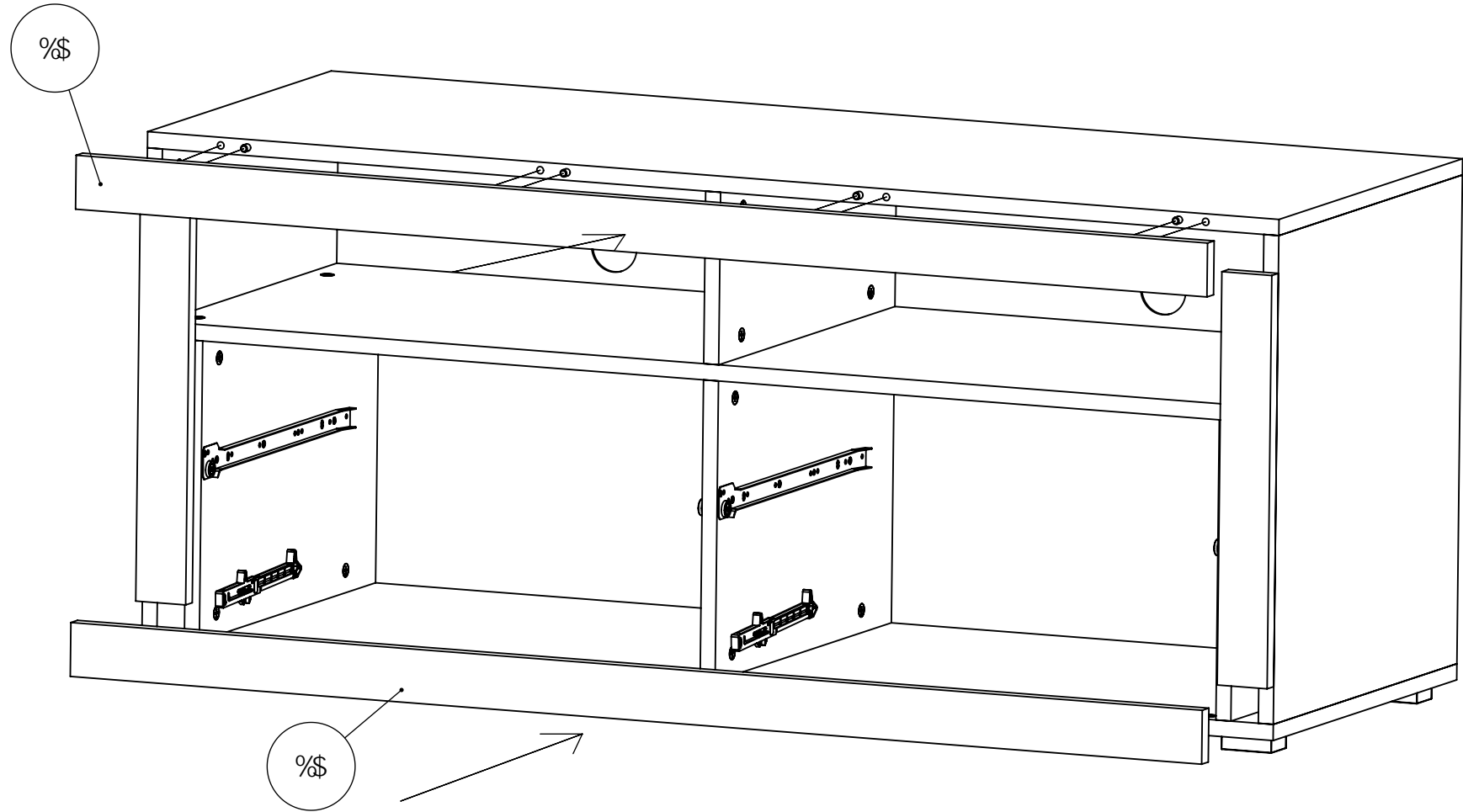
&\$"



516

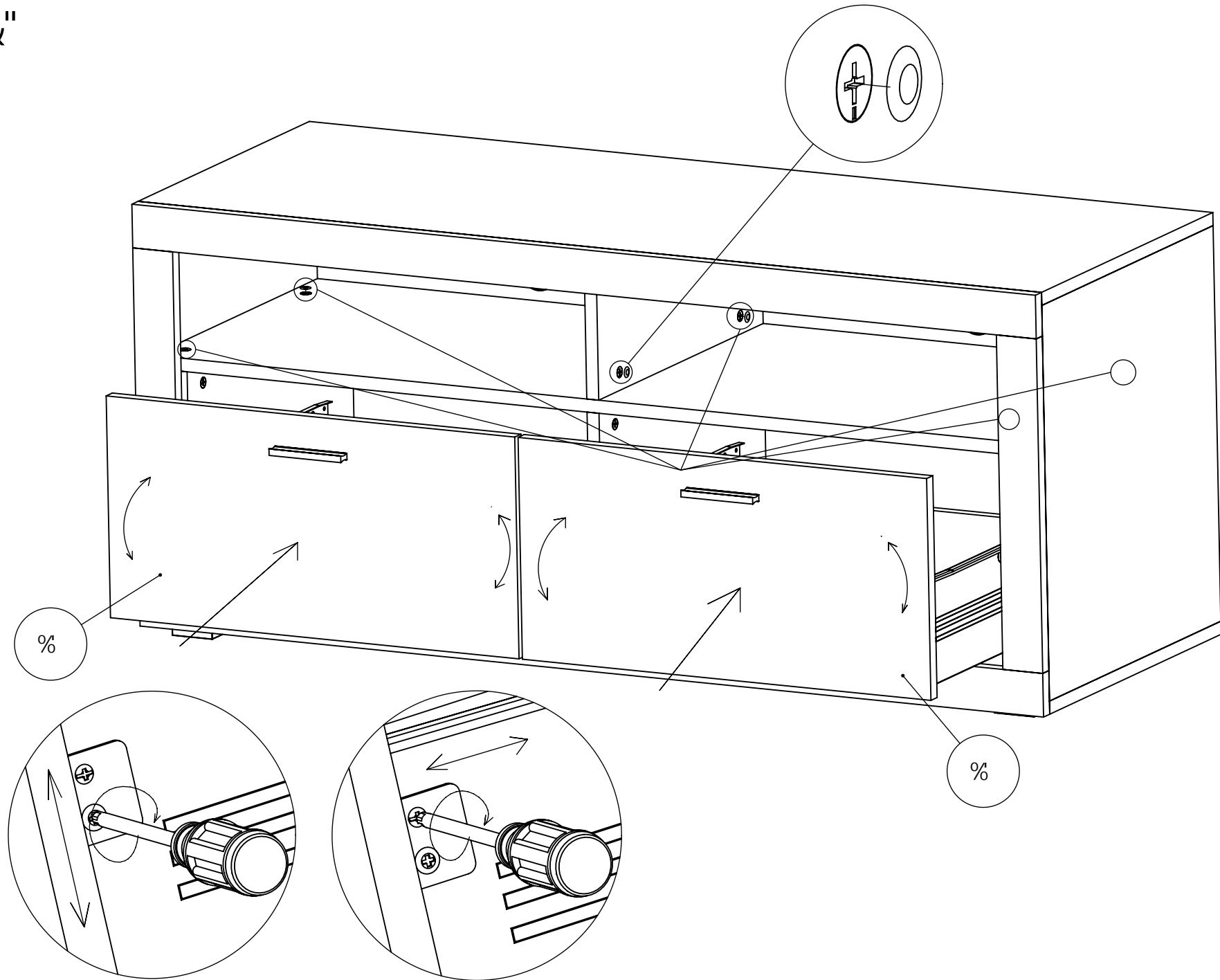
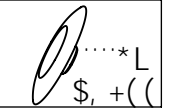


&%"



DCFH5 H ?CA C85 &@

&&"



DC F15 H ?CA C 85 &@

&' "

