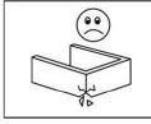
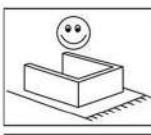
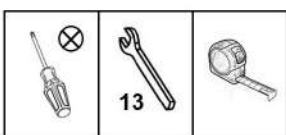
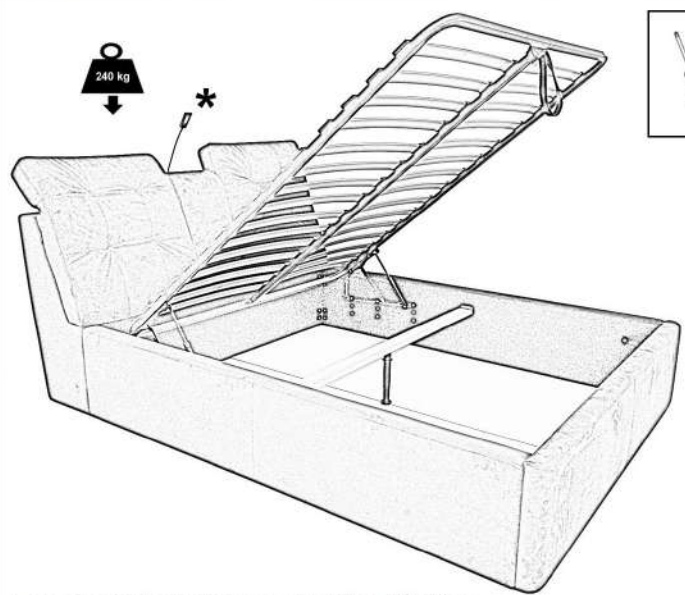


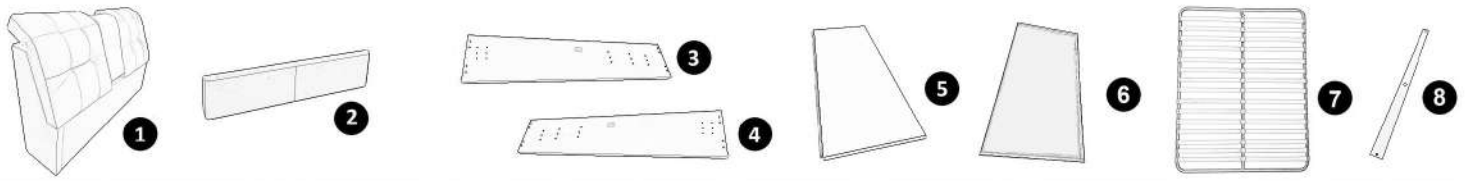
Ver. 14.09.2023.

PRIMAVERA 180x200

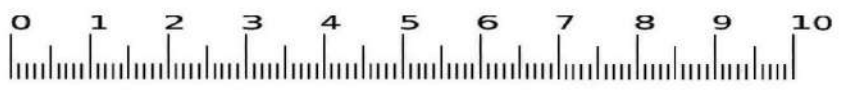


				PCS	
1	1960	1180	410	x1	1/3
2	1960	470	80	x1	2/3
3	2020	410	80	x1	2/3
4	2020	410	80	x1	2/3
5	2010	920	30	x1	3/3
6	2010	900	30	x1	3/3
7	1970	1770	50	x1	3/3
8	1790	80	20	x1	3/3

Level option for example: **max**

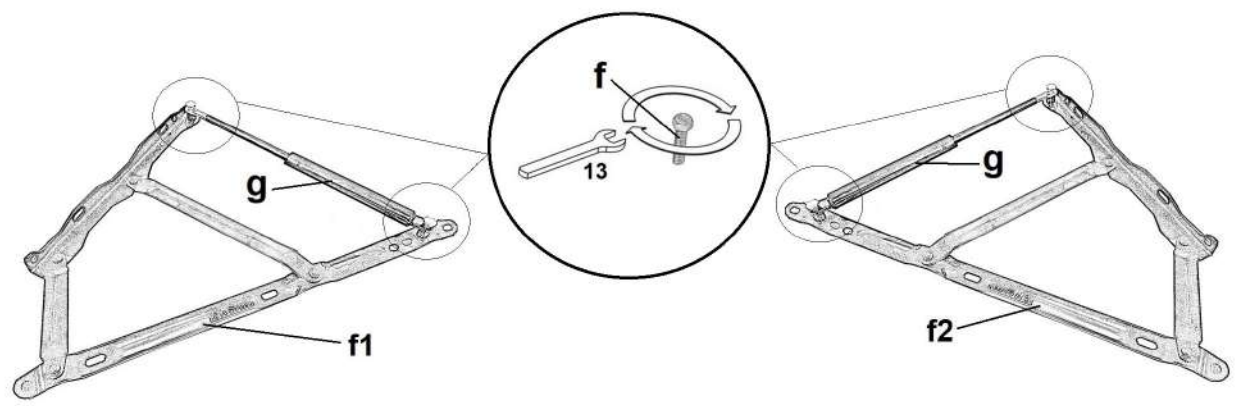


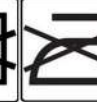
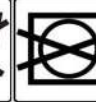
a x8	b M6x20mm x42	c x2	d M6 x10	e M8x30mm x6	f M8x16mm x4	f1 3/3 x1	f2 3/3 x1	g 1500 N 377 mm x2	h x2
i 4x30mm x8	j x2	k x1	m 4x20mm x2	n x4	o M6x40mm x4	p M6 x4	r 2/3 x1	q 4x30mm x3	s x1



1.








f M8x16mm x4	f1 x1	f2 x1	g 1500 N 377 mm x2
---------------------------	-----------------	-----------------	------------------------------------

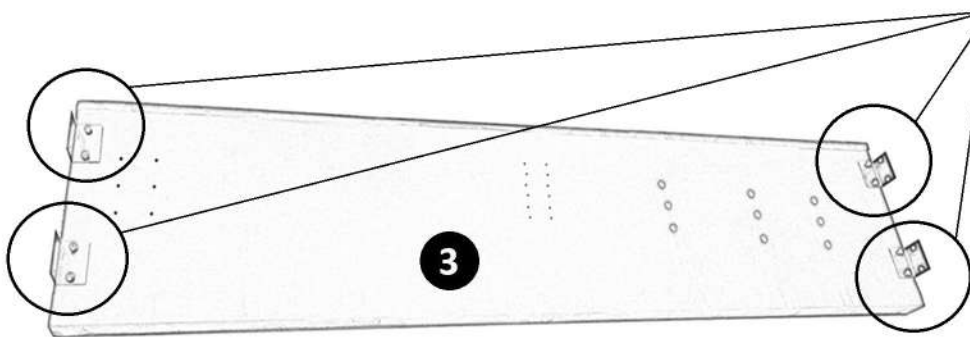
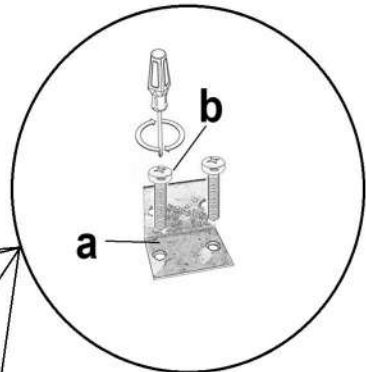




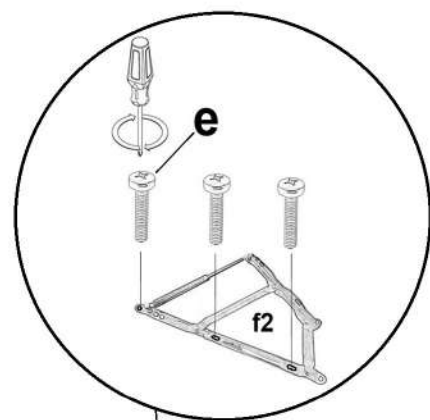
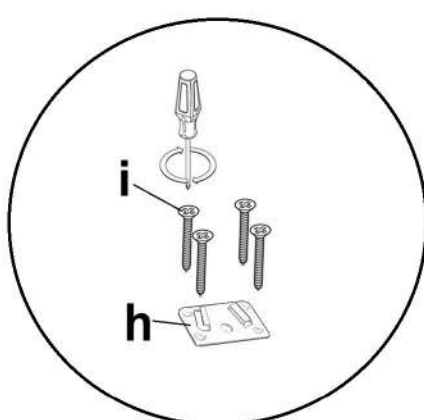
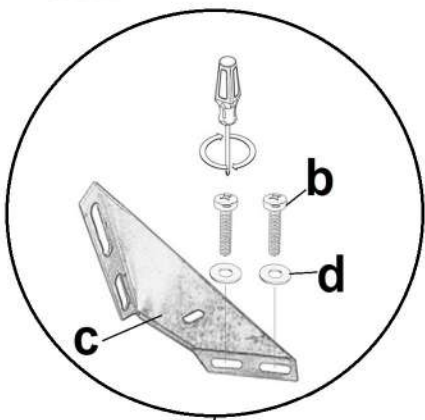
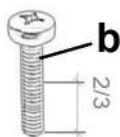
PRIMAVERA 180x200

2.

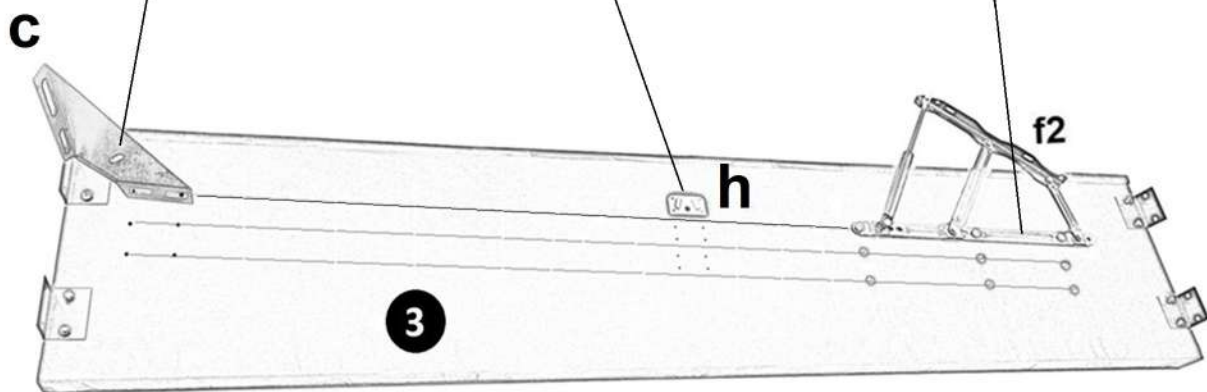
 a x4	 b M6x20mm x10	 c x1	 d M6 x2	 e M8x30mm x3	 h x1	 i 4x30mm x4
--	--	--	--	---	--	--



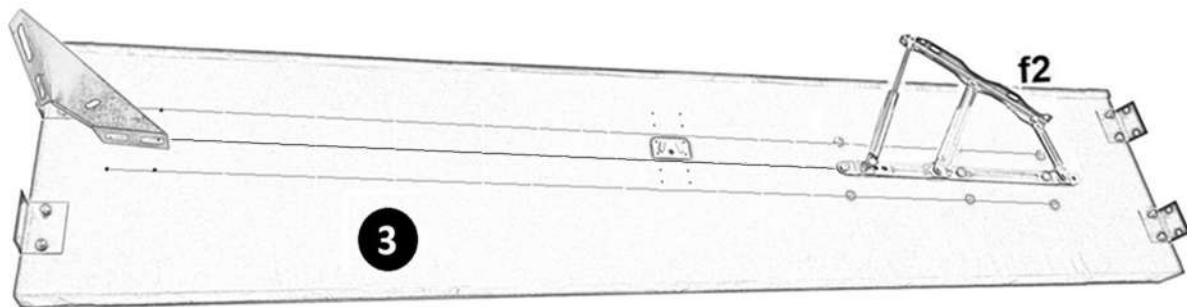
Level options



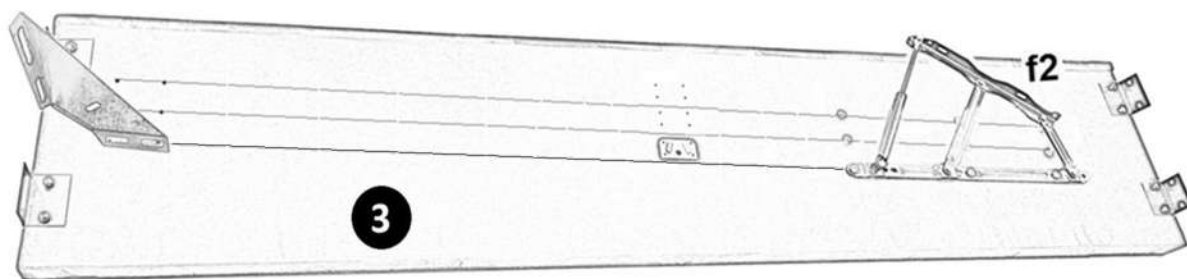
max

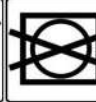
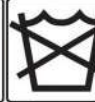


middle



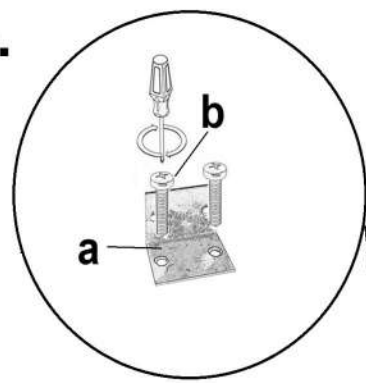
min



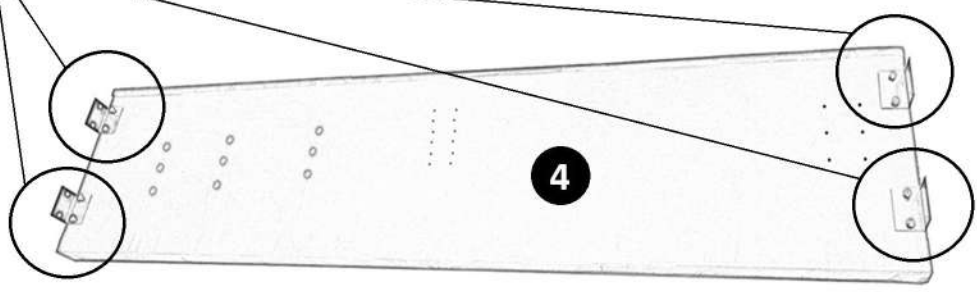


PRIMAVERA 180x200

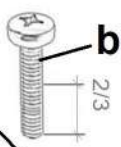
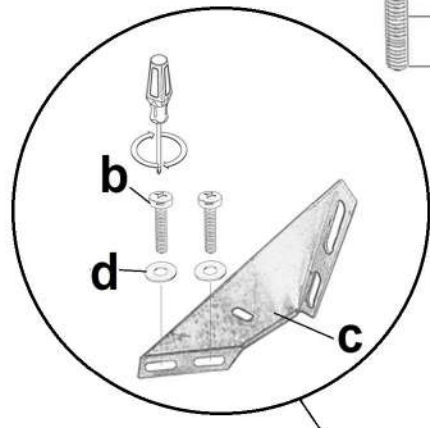
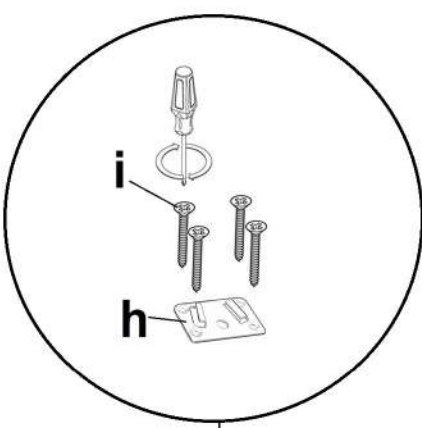
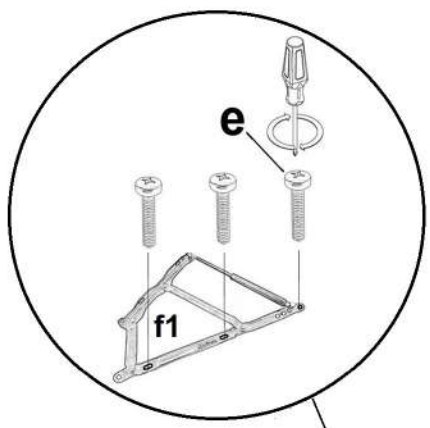
3.



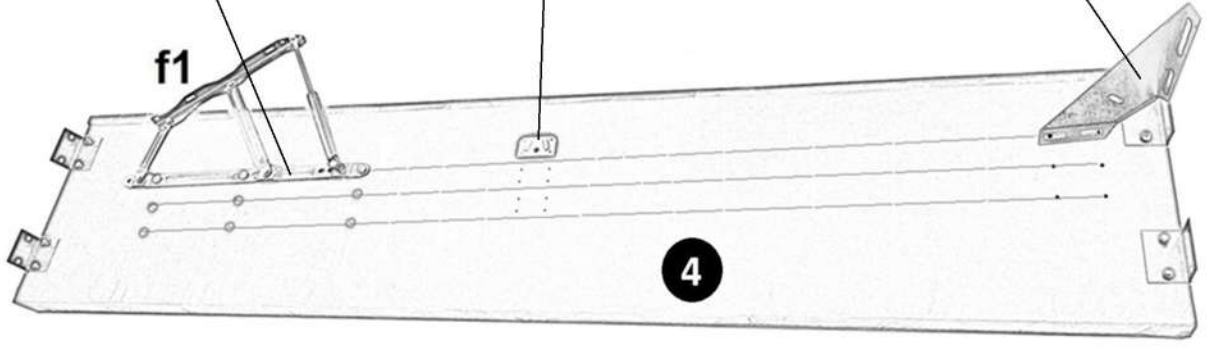
a x4	b M6x20mm x10	c x1	d M6 x2	e M8x30mm x3	h x1	i 4x30mm x4
--------------------	--------------------------------	--------------------	--------------------------	-------------------------------	--------------------	------------------------------



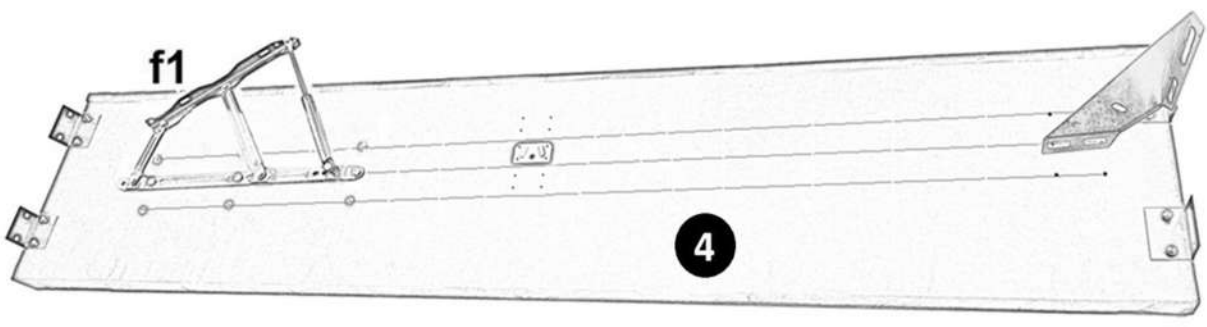
Level options



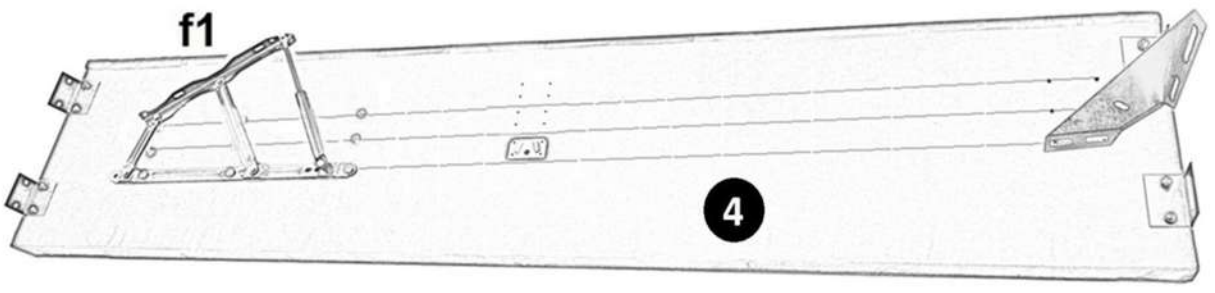
max



middle



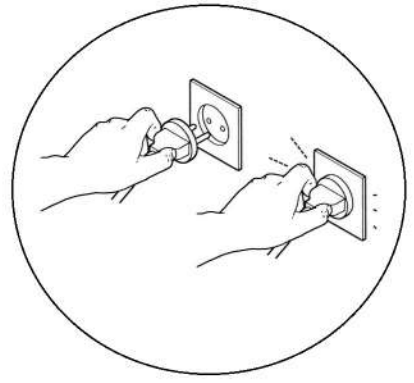
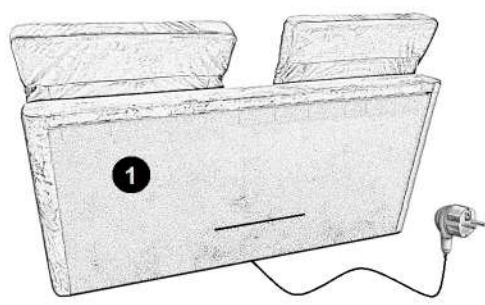
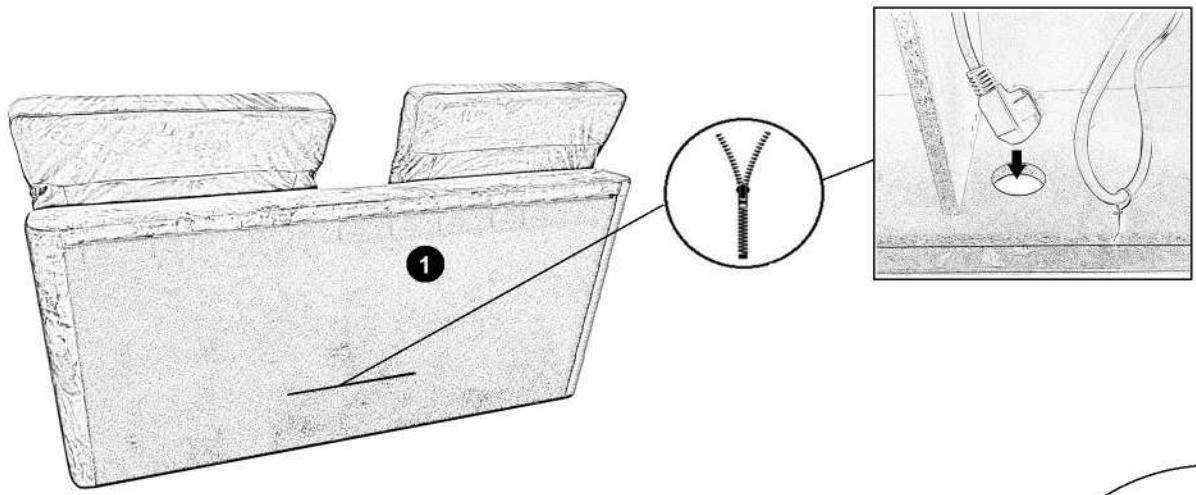
min





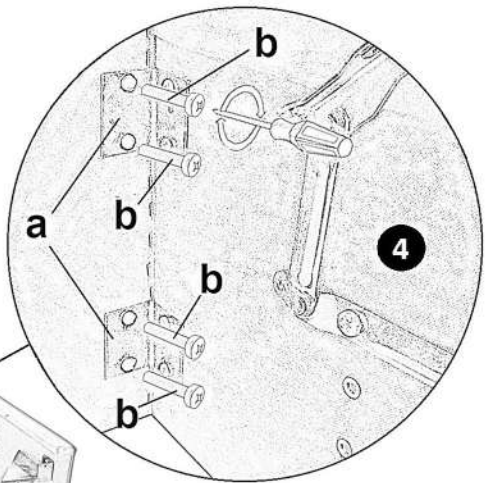
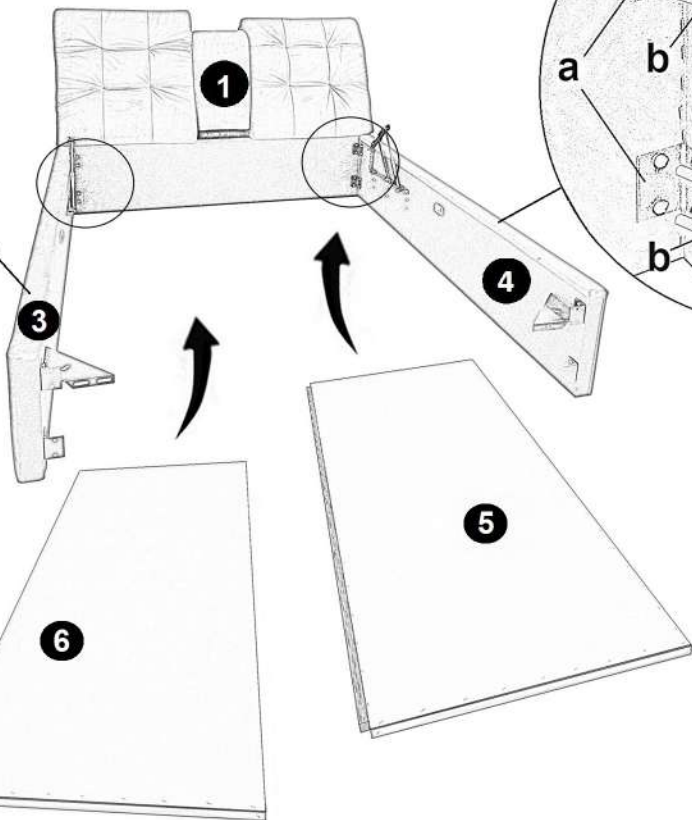
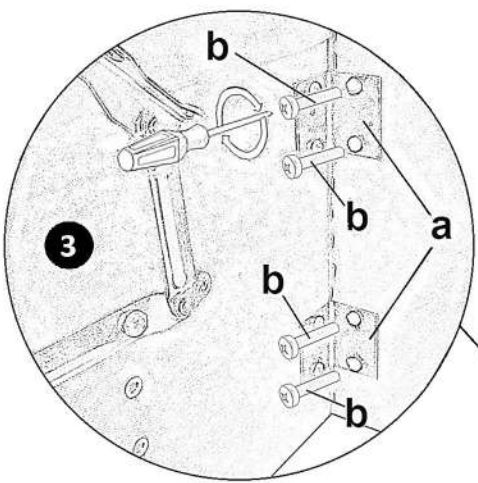
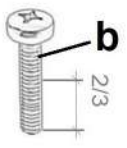
PRIMAVERA 180x200

4.



5.

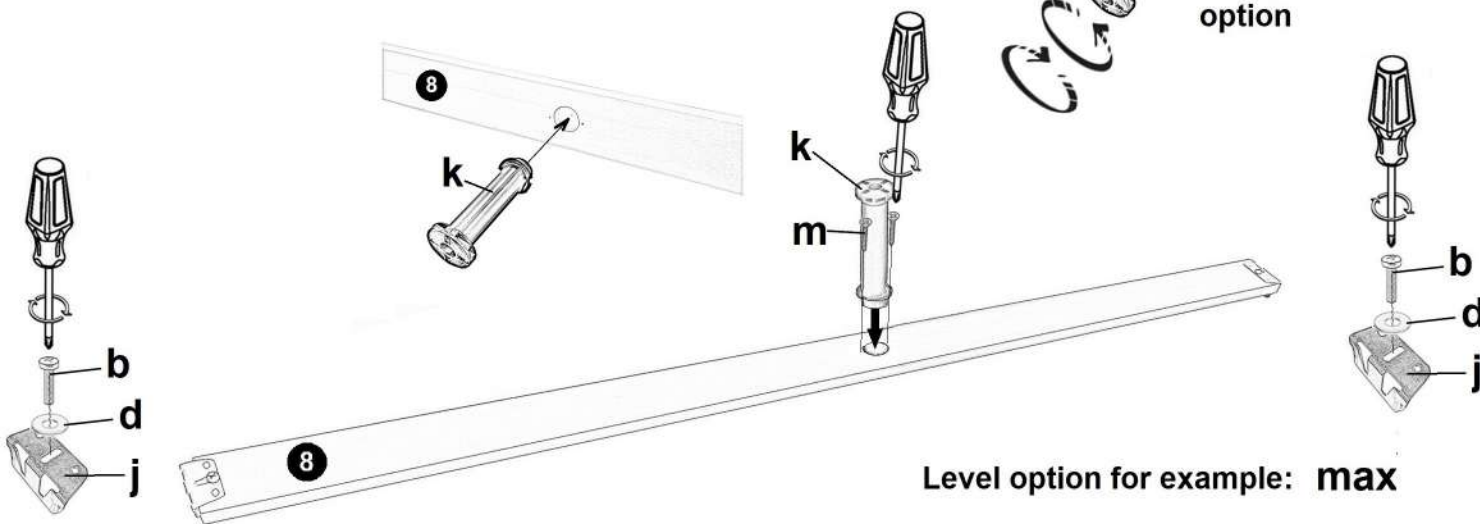
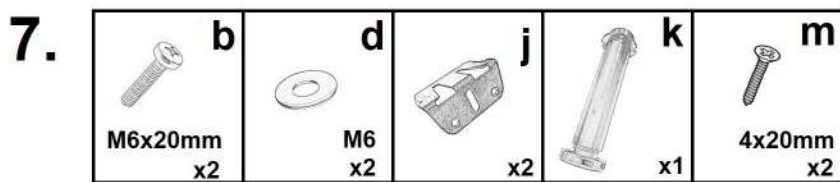
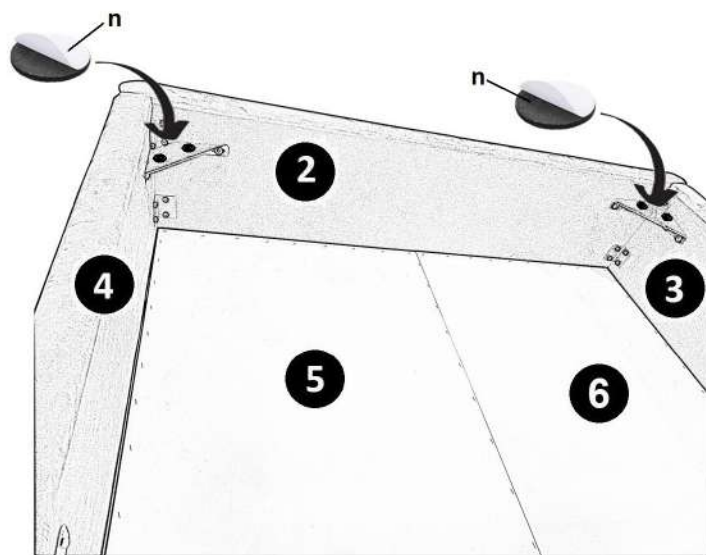
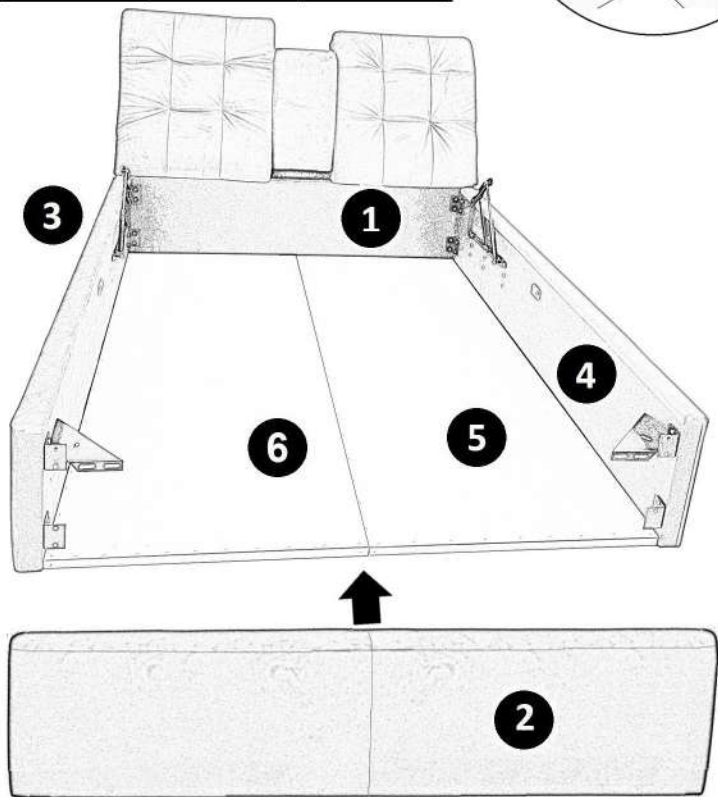
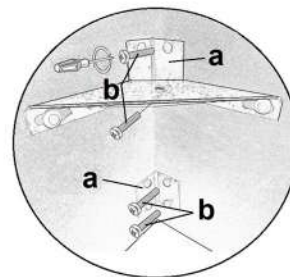
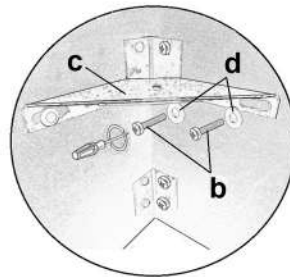
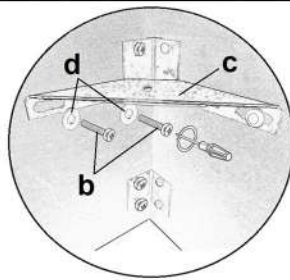
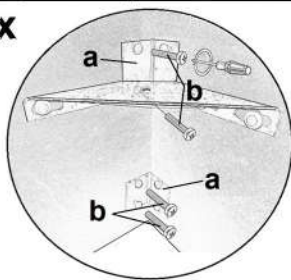
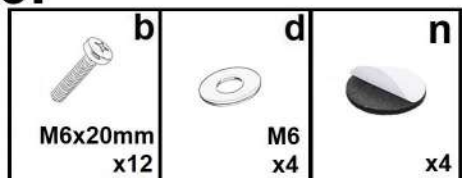
Level option for example: **max**





PRIMAVERA 180x200

6. Level option for example: max









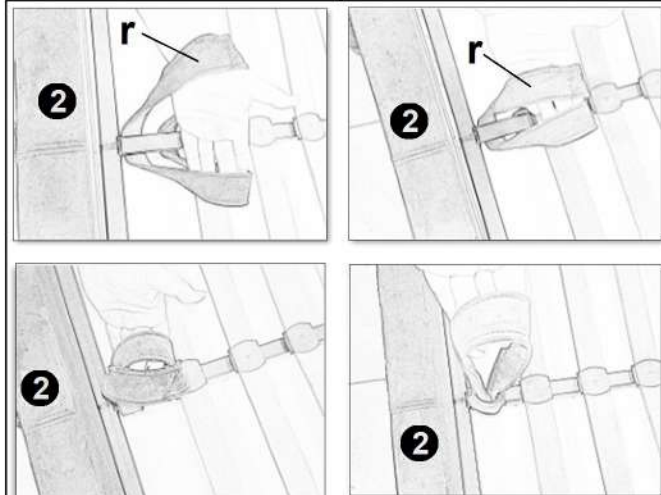
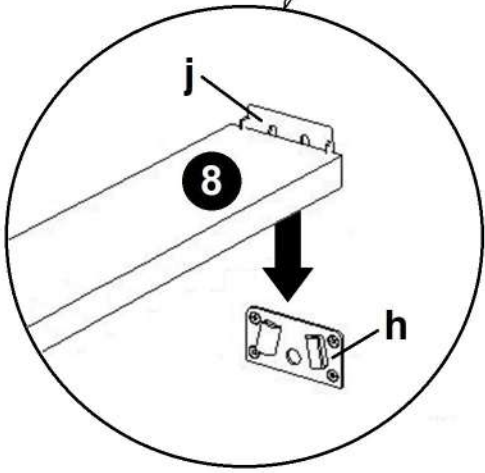
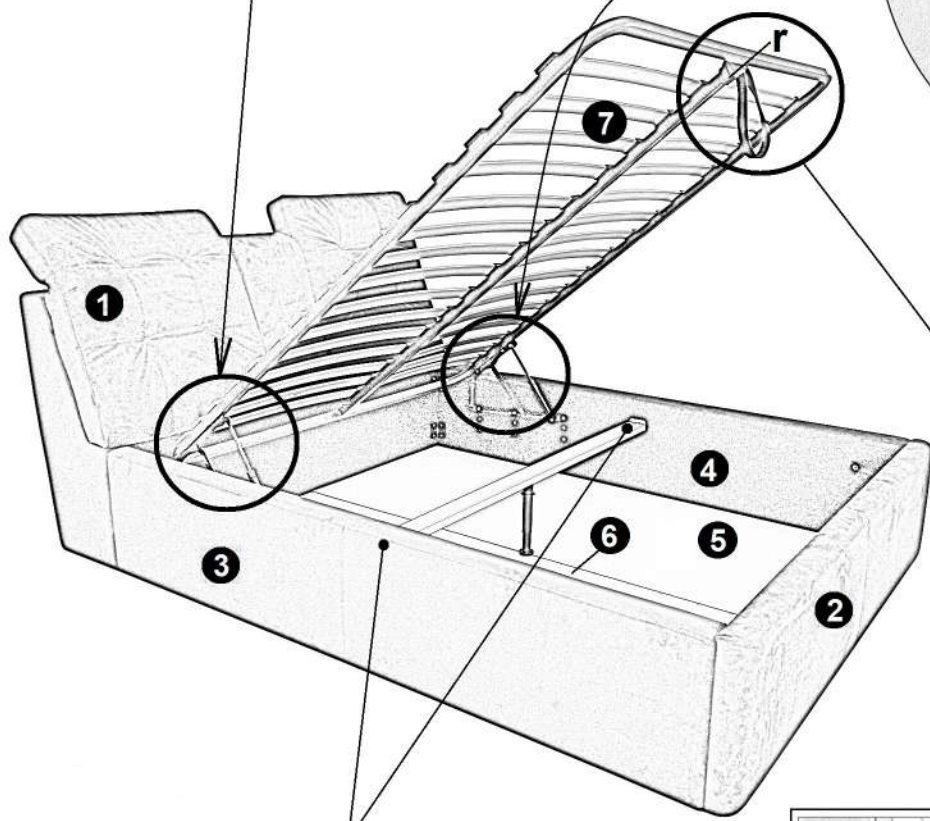
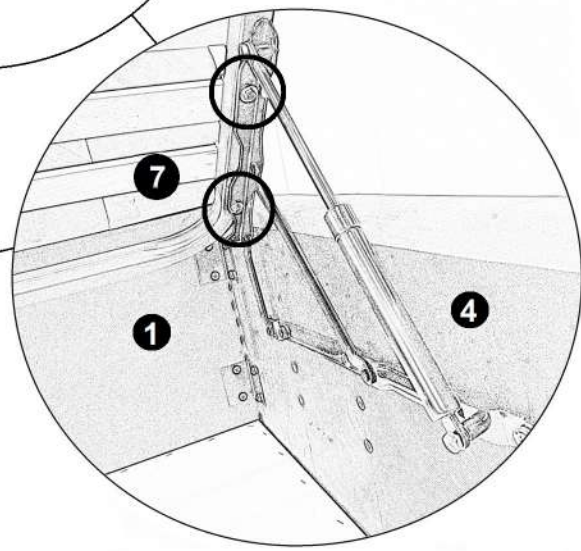
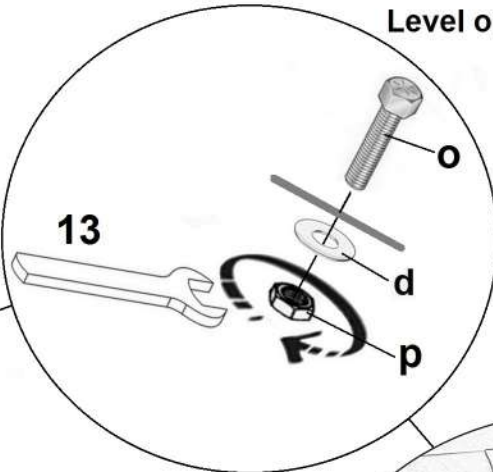
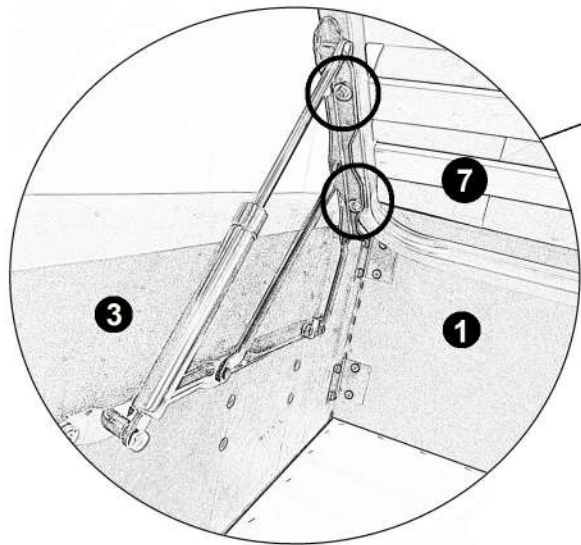
Ver. 14.09.2023.

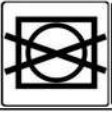
PRIMAVERA 180x200

8.

Level option for example: **max**

d  M6 x4	o  M6x40mm x4	p  M6 x4	r  x1
---	--	---	---

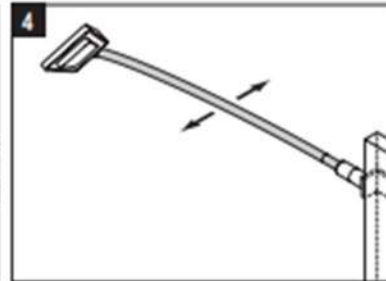
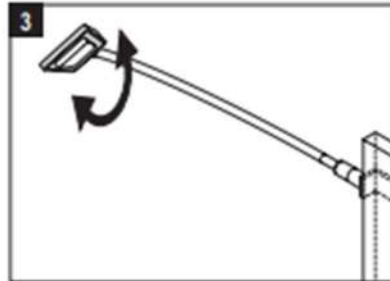
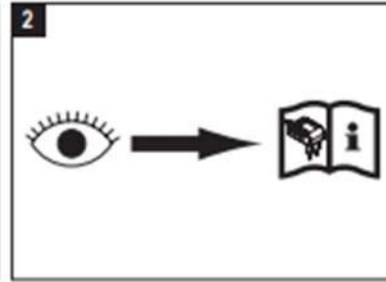
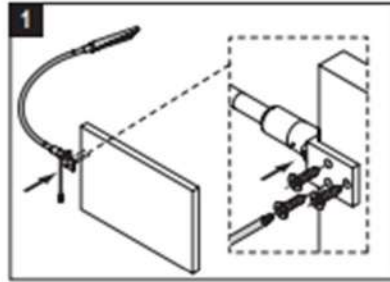
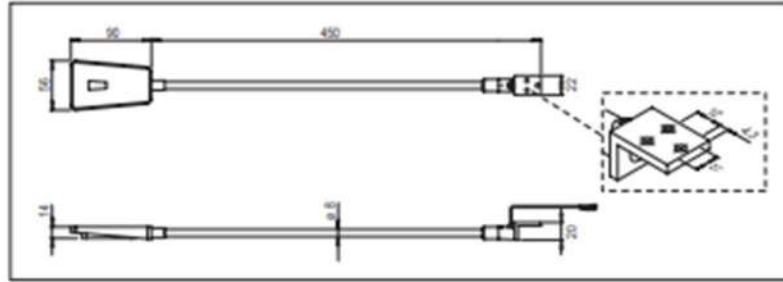
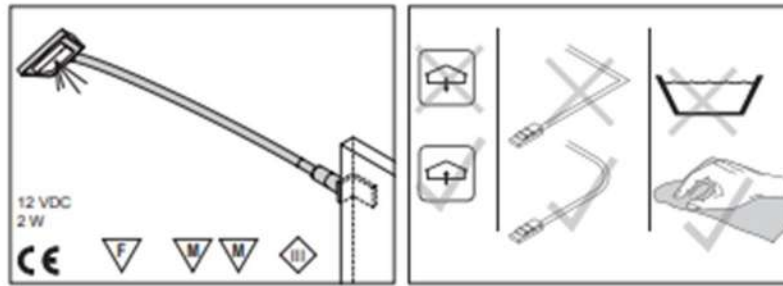




PRIMAVERA 180x200

*

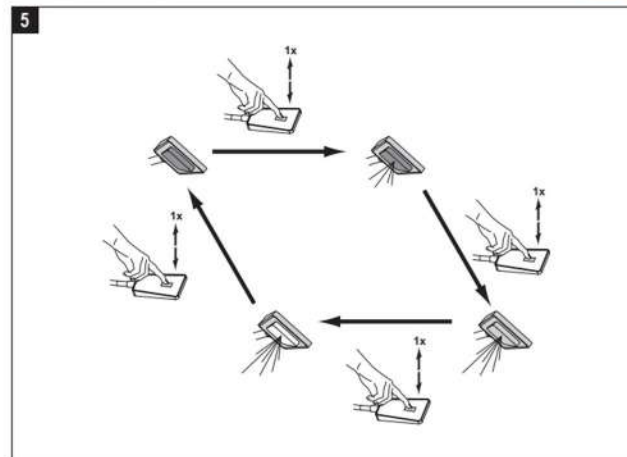
LED Area Light Flex

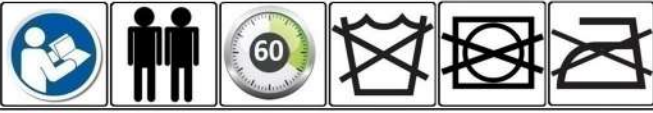


MA 15.037.39

1

LED Area Light Flex





Ver. 14.09.2023.

PRIMAVERA 180x200

9.
*

