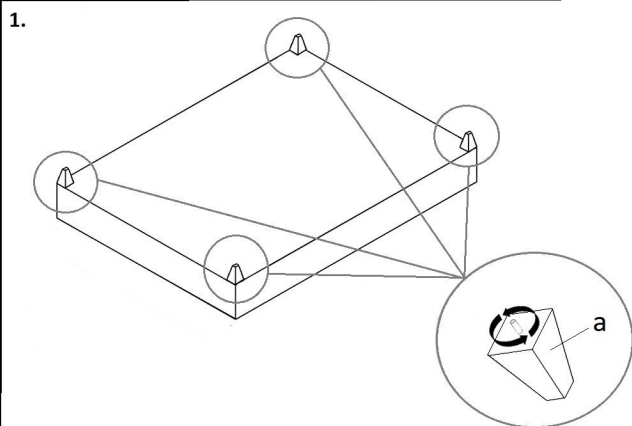
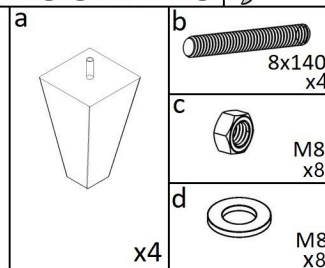
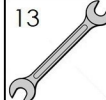


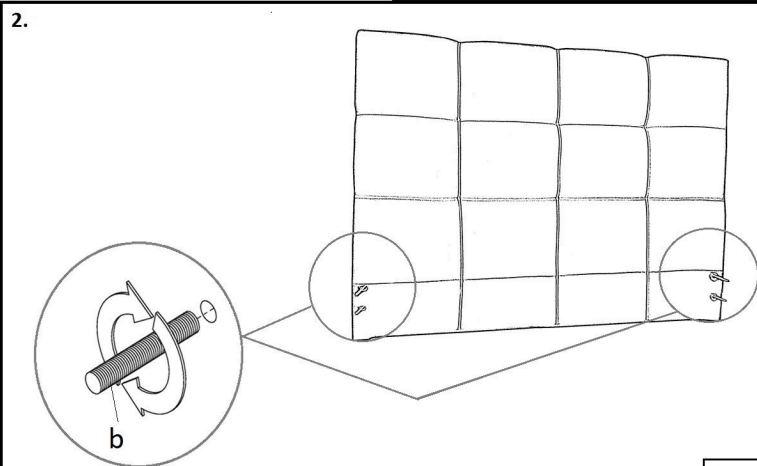
Ver.23.06.2020.

# TINA fr. krevet 200x140

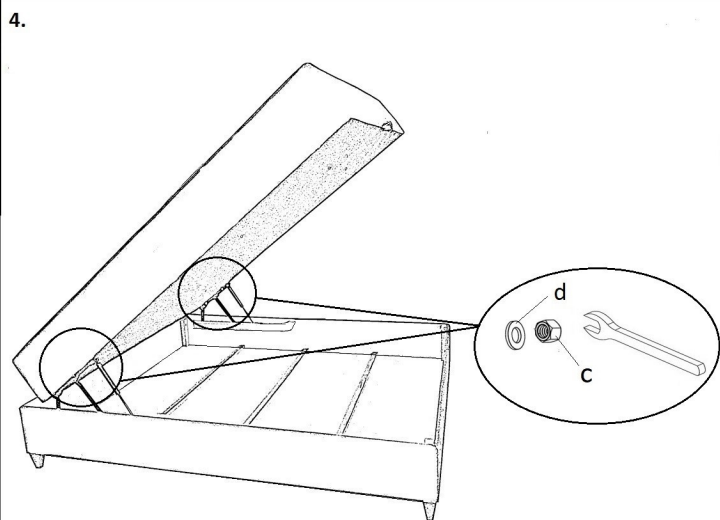
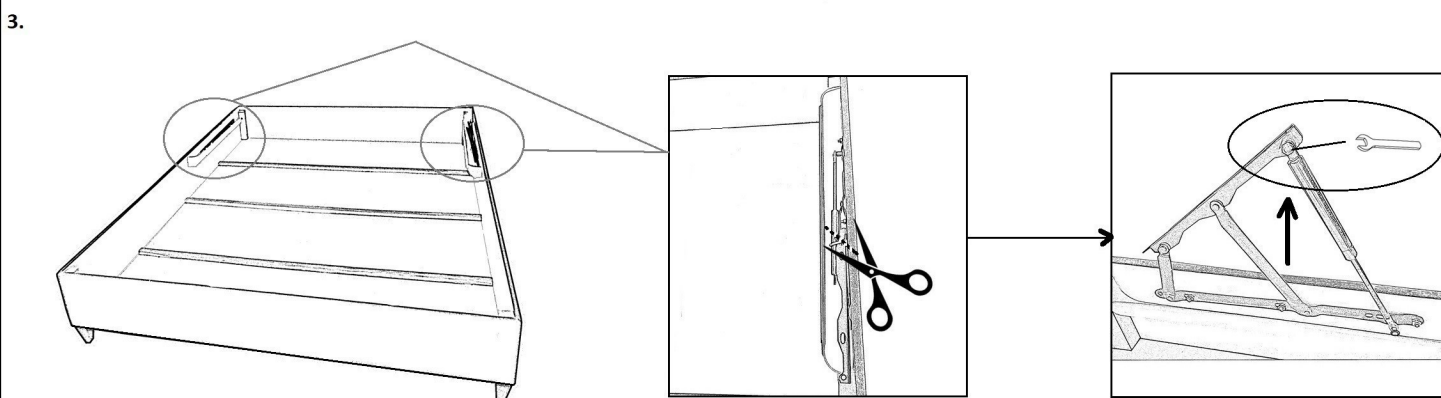
13



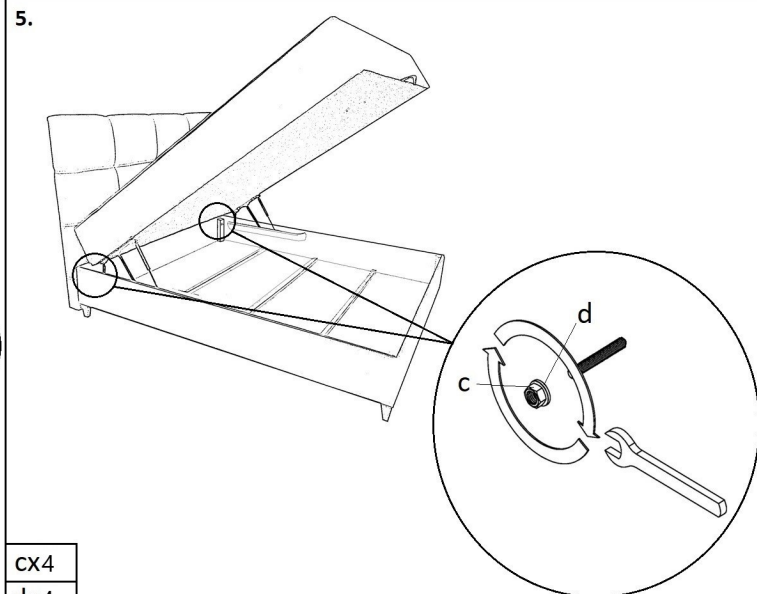
ax4



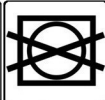
bx4



dx4  
cx4



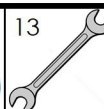
cx4  
dx4



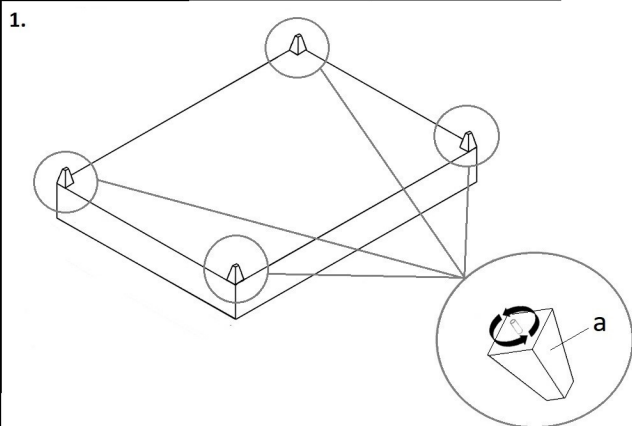
Ver.23.06.2020.

# TINA fr. krevet 200x160

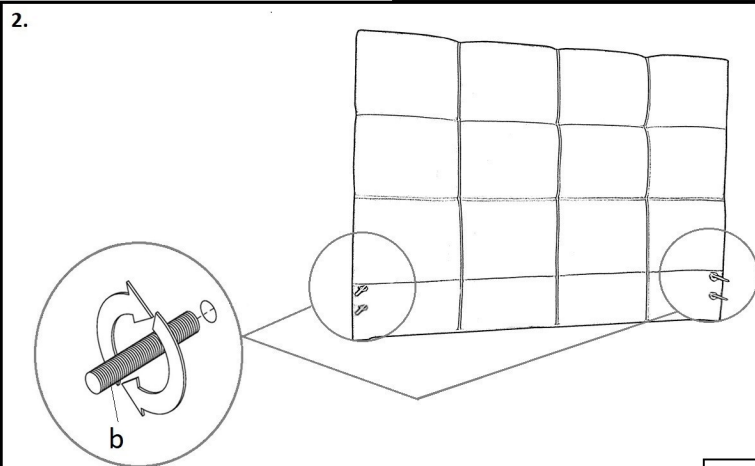
13



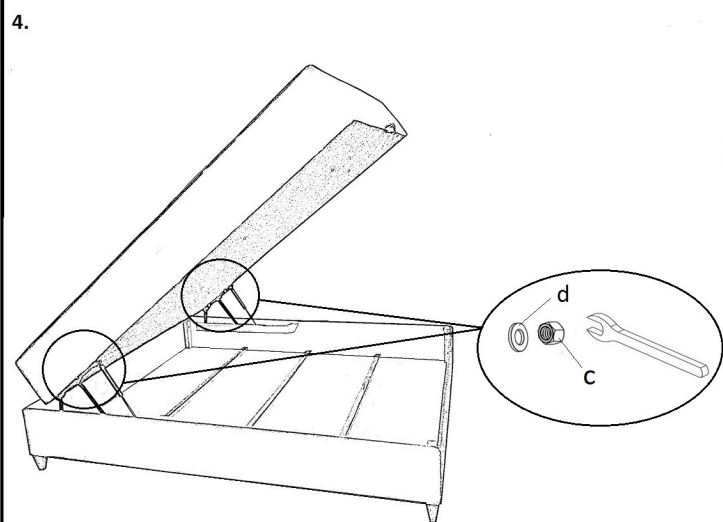
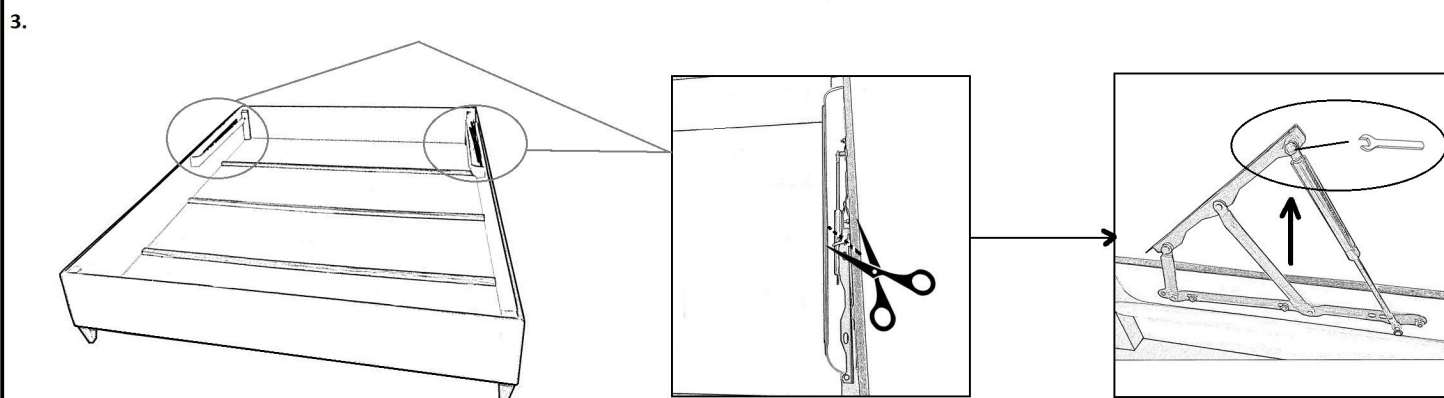
a	b
c	8x140 x4
d	M8 x8
x4	M8 x8



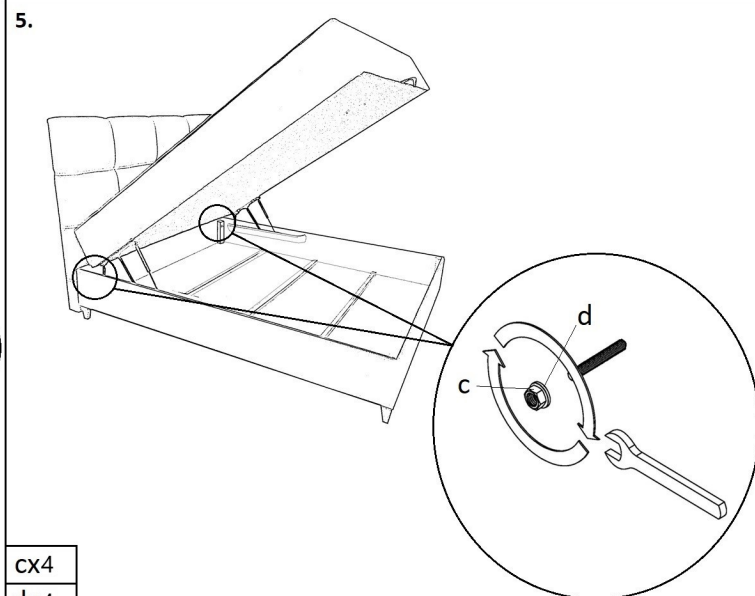
ax4



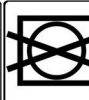
bx4



dx4  
cx4



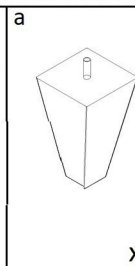
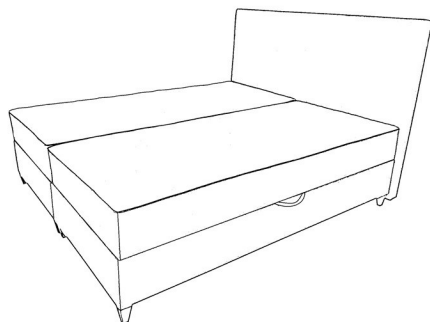
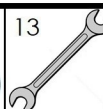
cx4  
dx4



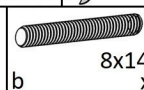
Ver. 11.08.2020.

# TINA fr. krevet 200x180

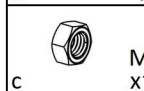
13



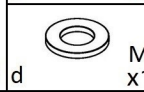
x8



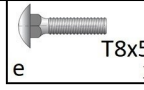
8x140  
x6



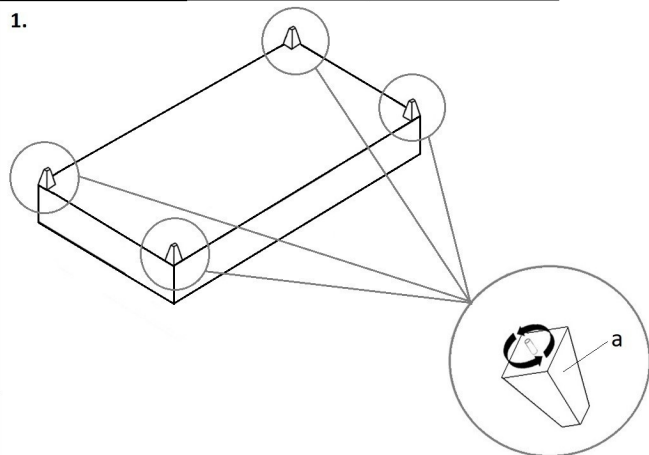
M8  
x15



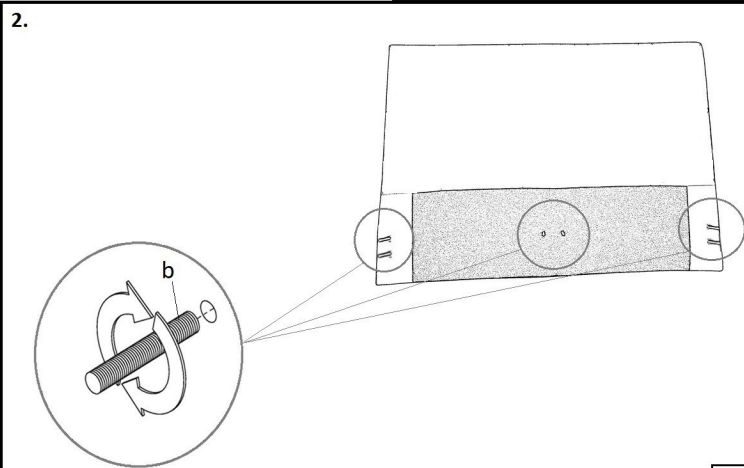
M8  
x15



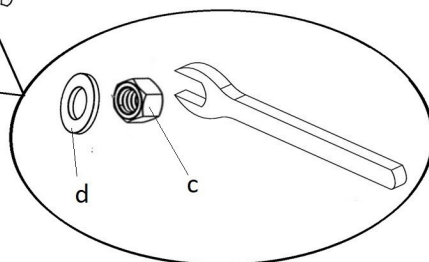
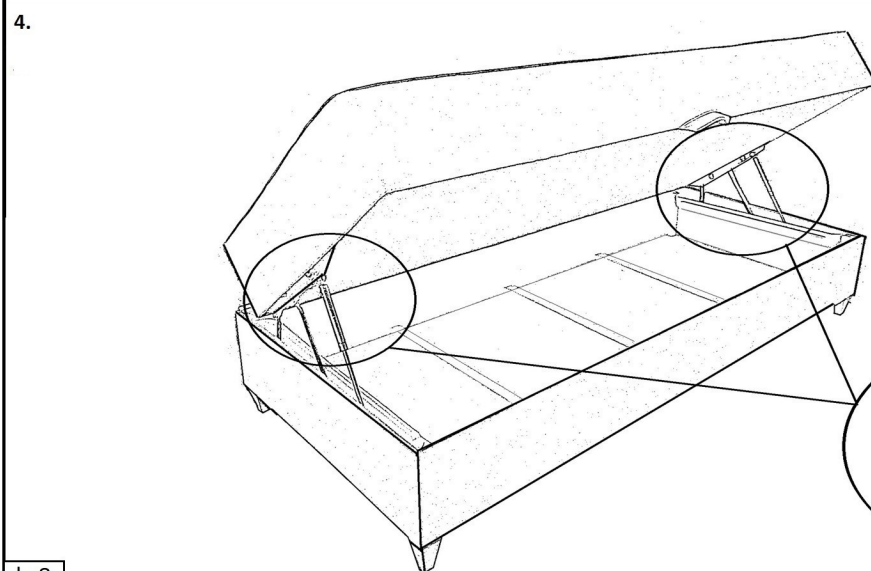
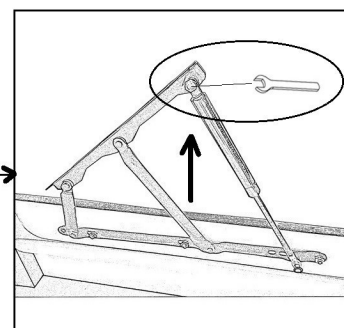
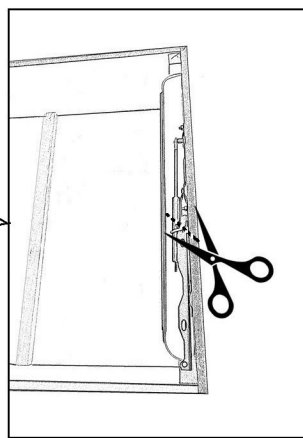
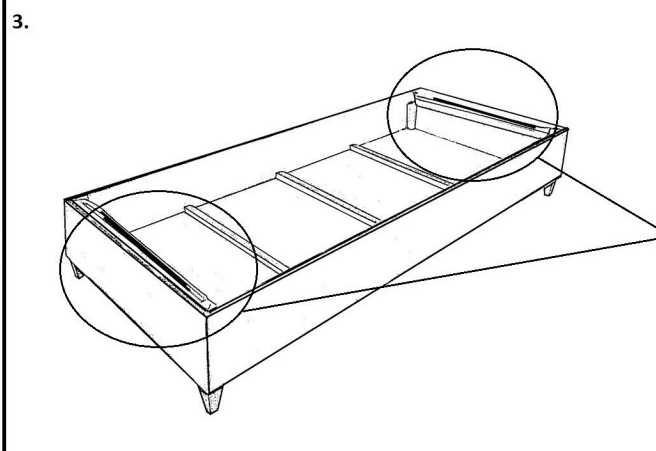
T8x50  
x1



a x8



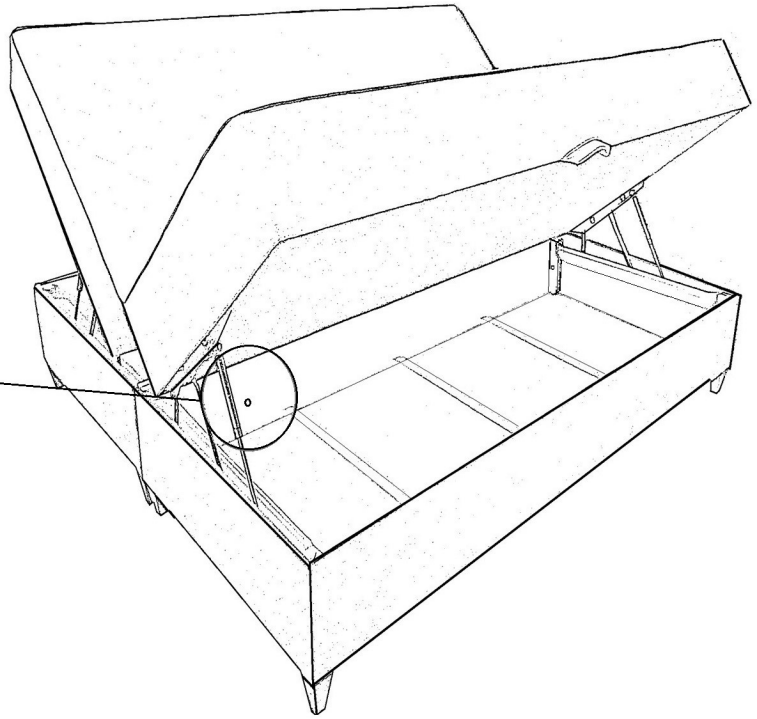
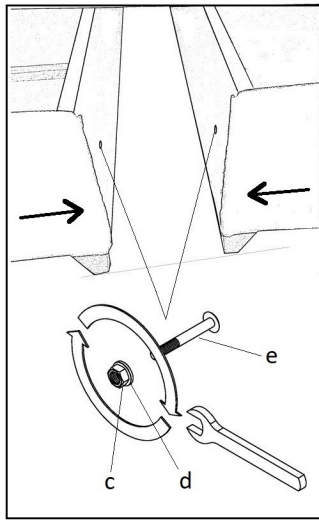
b x6



d x8

c x8

5.

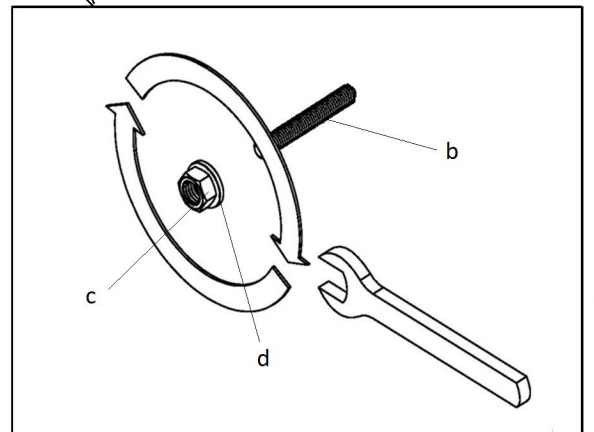
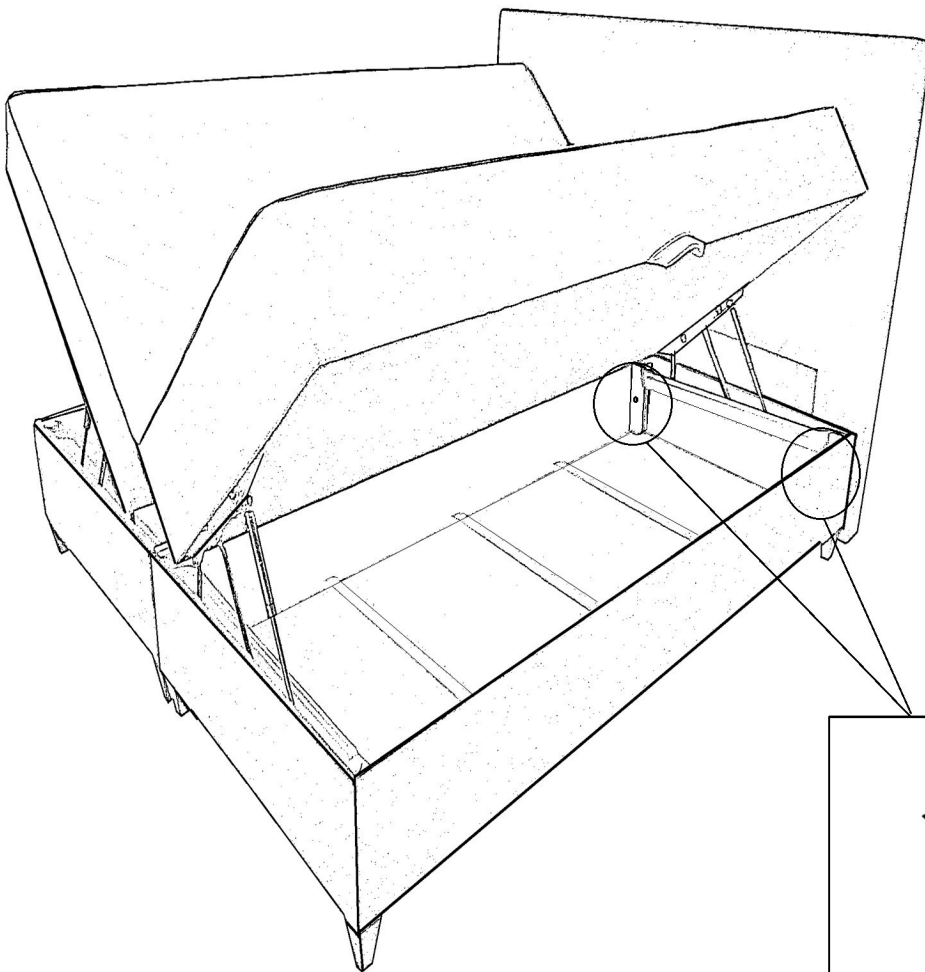


c x1

d x1

e x1

6.



b x6

c x6

d x6